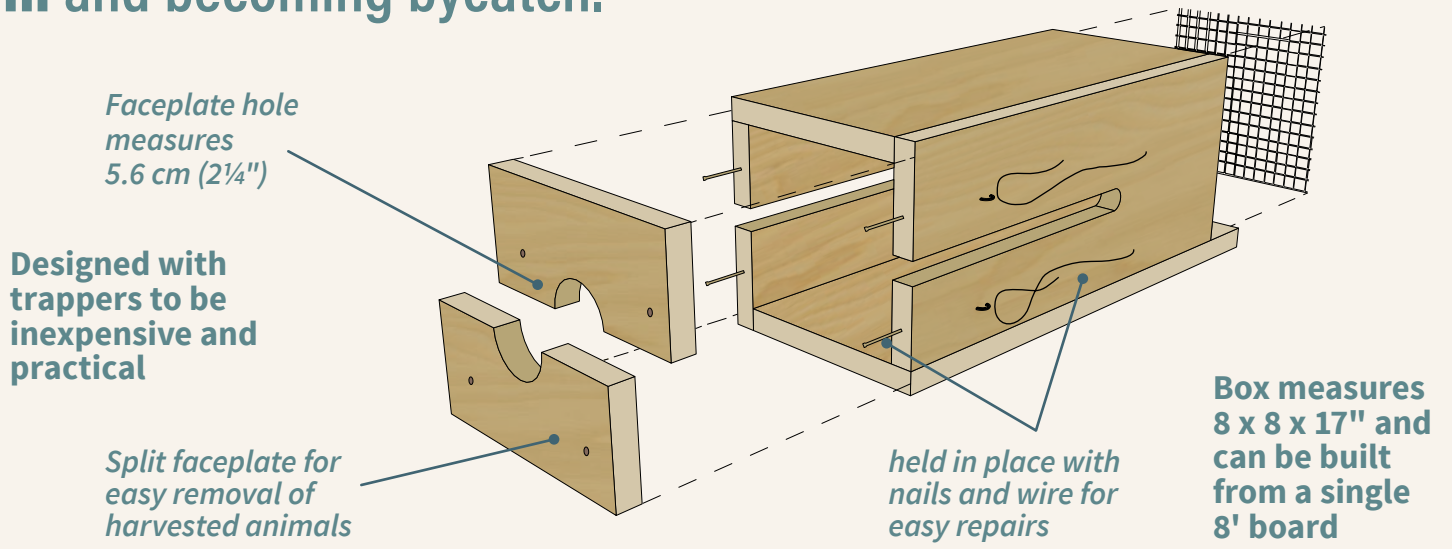


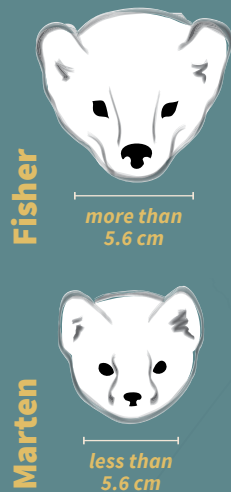
The Fisher Exclusion Box

The fisher exclusion box is an elongated marten cubby fitted with a faceplate that is sized to prevent fishers from getting in and becoming bycatch.



How does it work?

Almost all fishers have cheekbones wider than 5.6 cm and almost all martens have cheekbones narrower than 5.6 cm. **This difference allows martens to enter the trap but keeps fishers out.**

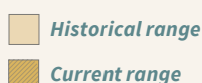


Will your marten harvest be impacted?

No! Over 1800 trap nights and remote camera footage from a pilot study in the Northeast and Cariboo regions confirmed that **martens easily entered the modified box** and were successfully harvested. We even heard from one trapper who caught his **largest marten in 40 years in one of these boxes!**

Why use it?

Fishers in the Central Interior are designated as **endangered**, and in Northeastern BC they are a population of **special concern**. This is primarily due to habitat loss, but trapping can also have an impact. **Eliminating bycatch is a key part of recovering fisher populations.**



For more information, email Fisher.Conservation@gov.bc.ca



Ministry of
Forests, Lands, Natural
Resource Operations
and Rural Development

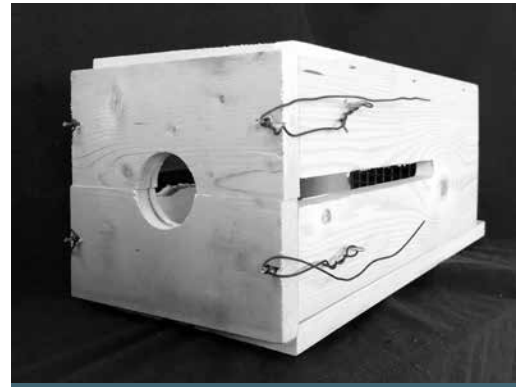


Ministry of
Environment and
Climate Change Strategy

The Fisher Exclusion Box – Specifications and Assembly

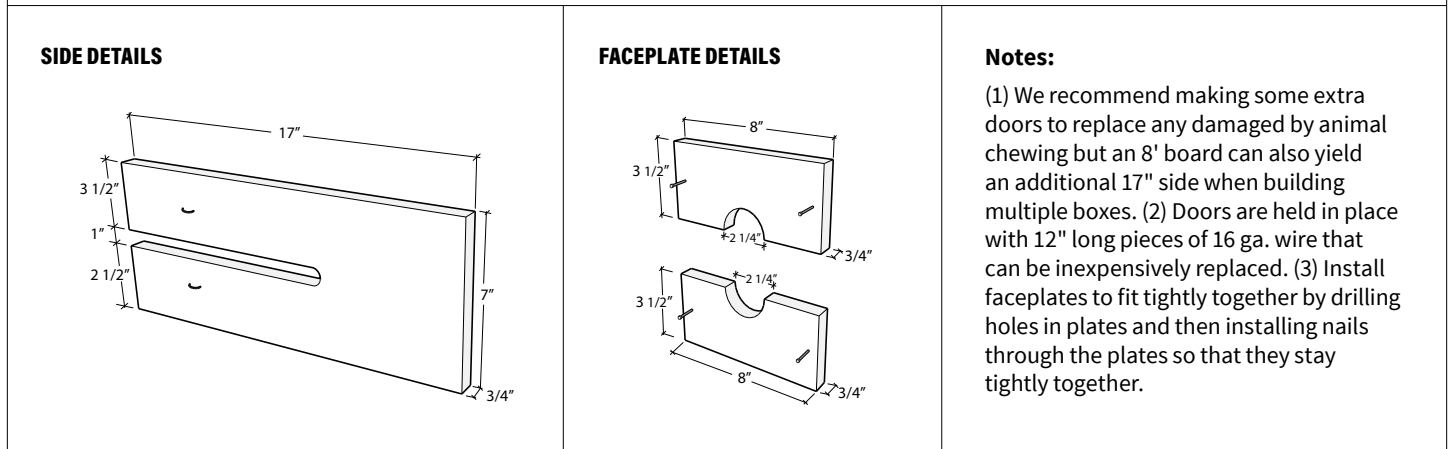
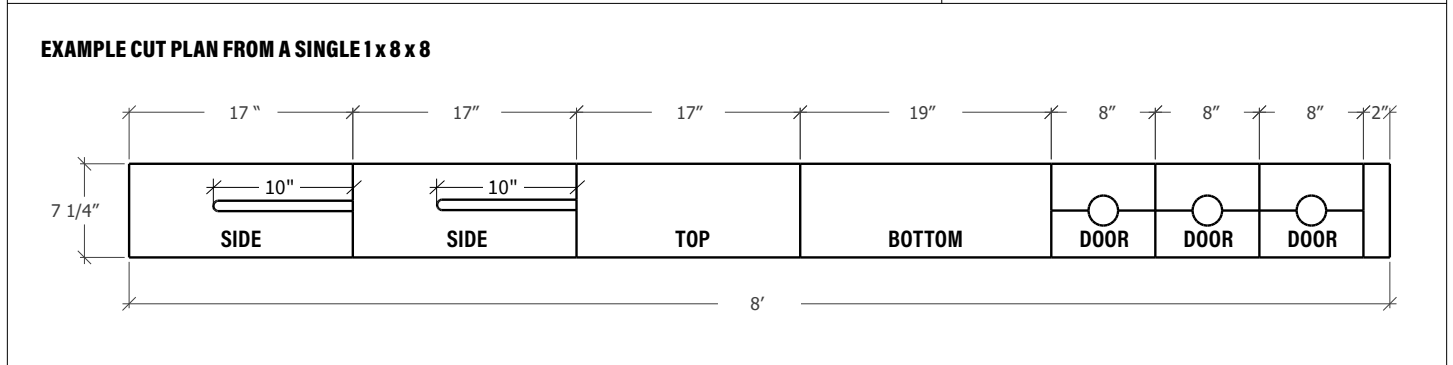
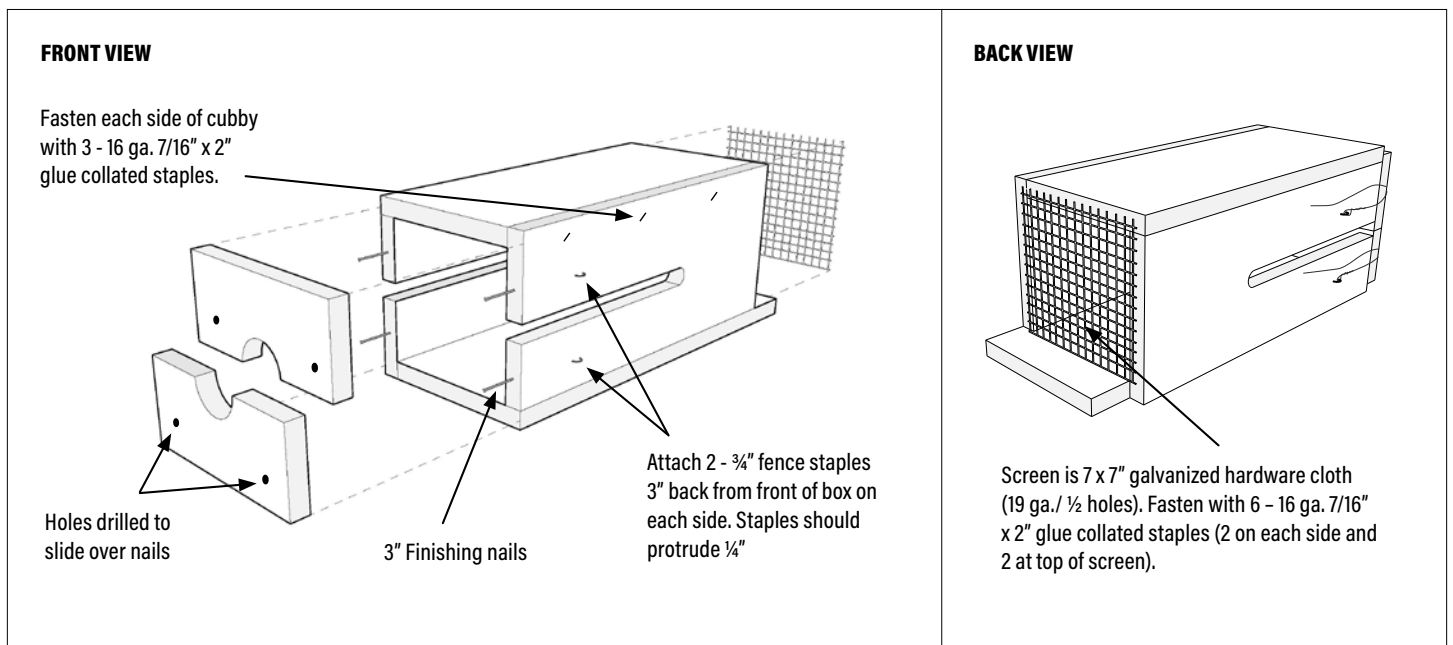
Experienced trappers helped us design a box that meets trappers needs, is relatively inexpensive, is based on animal biology, and meets the principals of humane trapping. Should you decide to modify your box, there are key features that cannot be altered:

- » **Box length must be 17"** to allow a proper approach by a marten to the trap.
- » **Side slot length must be 10"** to allow trap to be set far enough from the door for proper approach, but not so deep that a marten can use its paw to reach the bait.
- » **Faceplate hole must be 2 1/4"** to keep fishers out of the trap. Ensure any modifications do not allow plates to be removed or shifted by animals and increase the door opening size.



We want to hear from you.

Send your questions, comments and design ideas to the BC Fisher Conservation team: fisher.conservation@gov.bc.ca



Ministry of Forests, Lands, Natural Resource Operations and Rural Development



Ministry of Environment and Climate Change Strategy