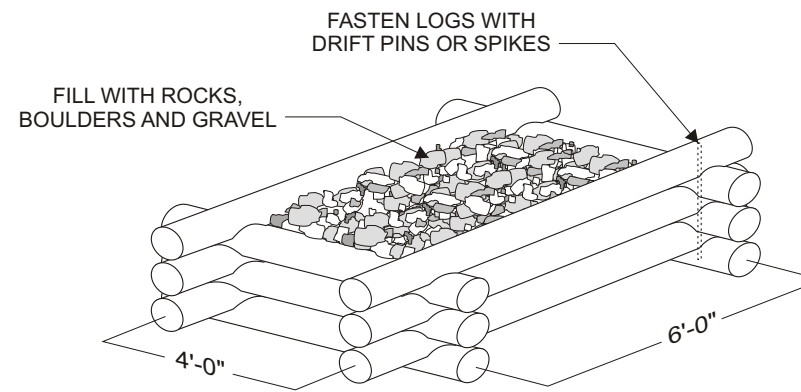
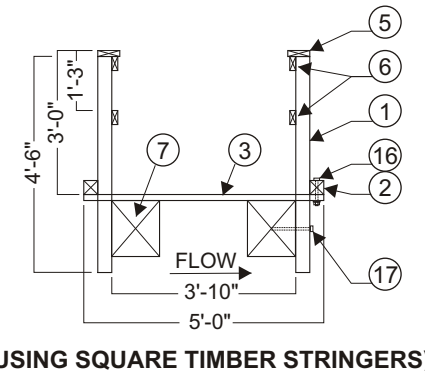
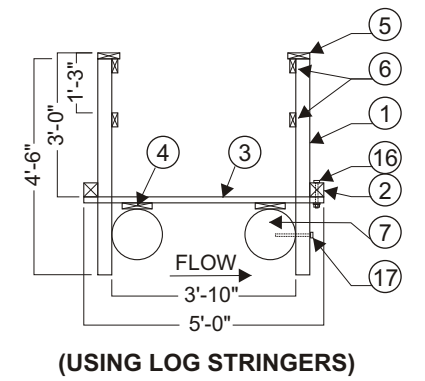
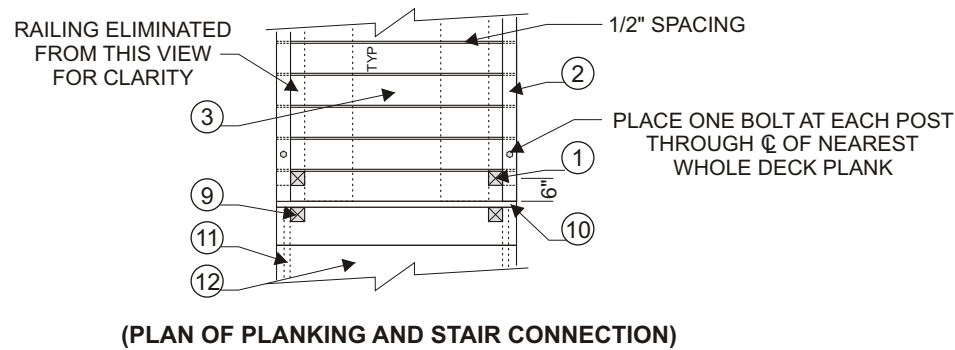
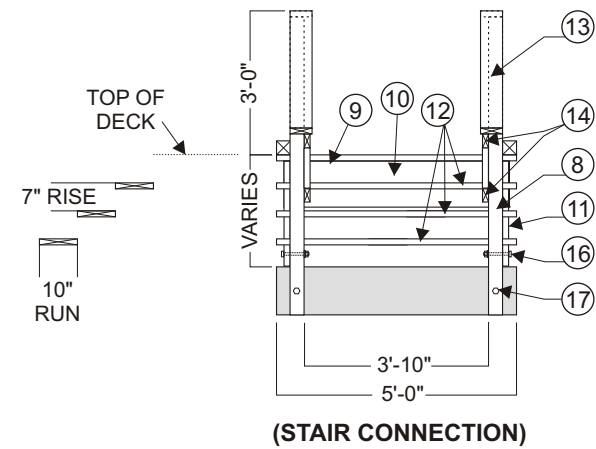
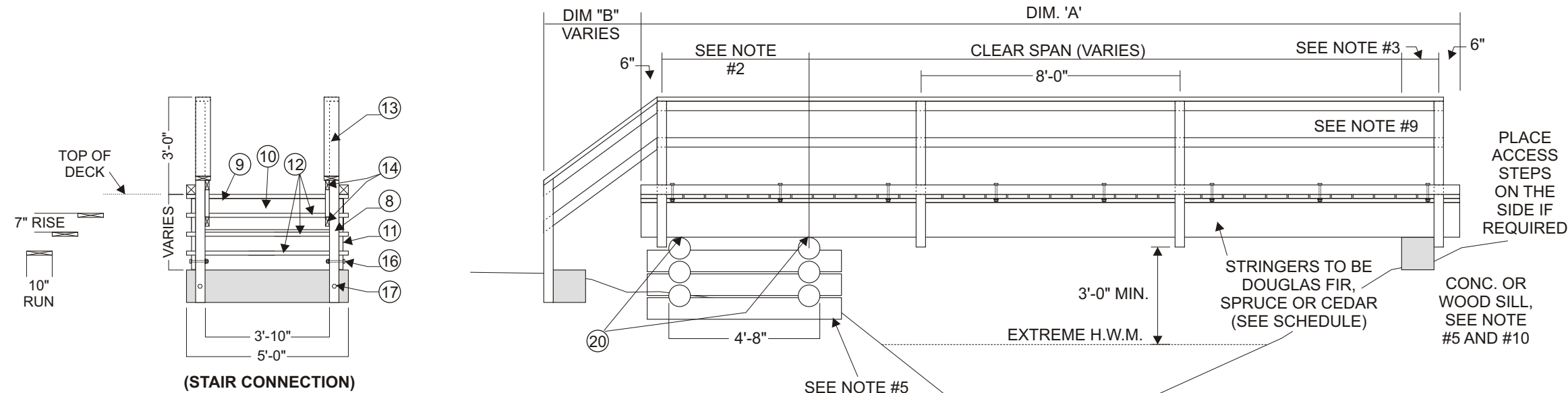


# FOOTBRIDGE - STANDARD



**ISOMETRIC OF CRIB**

**STRINGERS**

CLEAR SPAN (FEET)	DOUGLAS FIR TIMBER SIZE WIDTH x DEPTH (INCHES)	PEELED LOG DIAMETER		
		FIR	SPRUCE	CEDAR
0 - 15	6 x 8	8.5	9.5	10.0
16 - 20	8 x 10	10.5	11.5	12.0
21 - 25	8 x 12	12.0	13.5	14.0
26 - 30	12 x 12	14.0	15.0	16.0
31 - 35	12 x 14	15.5	17.0	18.0
36 - 40	14 x 16	17.0	19.0	20.0
41 - 45	16 x 16	18.5	20.5	22.0
46 - 50	16 x 18	20.0	22.5	24.0

**NOTES:**

- NUMBERS IN CIRCLES CORRESPOND TO ITEM NUMBER IN MATERIAL LIST
- TO ARRIVE AT QUANTITY IN LIN. FT. MULTIPLY DIM. COLUMN BY FACTOR COLUMN I.E. ITEM #1 DIM "A" x .125 -1 = LIN. FT.
- FORMULA TO DETERMINE DIM "A": "A" = CLEAR SPAN + DIMENSIONS OF ABUTMENTS = 12"
- DIM. "B" EQUIV. TO NO. OF 10" TREADS REQ'D NO. OF TREADS + NO. OF 7" RISERS - 1
- TYPE AND SIZE OF ABUTMENTS TO BE SPECIFIED BY ENGINEER (SEE ITEM #15)
- ALL ROCKS, BOULDERS AND DEBRIS TO BE REMOVED FROM THE STREAM BED WITHIN 25' U/S & D/S OF BRIDGE TO PROVIDE A SMOOTH LAMINAR FLOW IN METERING SECTION
- ALL PAINTABLE WOOD EXCEPT STRINGERS AND CRIBBING TO BE PAINTED WITH TWO COATS OF GALLOWAY GREEN OR EQUIV. 1ST COAT TO BE THINNED FOR PRIMING PURPOSES
- STAIR SILL TO BE PLACED ON WELL COMPACTED GROUND AND POSITIONED TO ACCOMMODATE SIZE (RISE AND RUN) OF STAIRS
- METERING OF BRIDGE SIGN TO BE ATTACHED TO PIECE OF PLYWOOD AND MOUNTED TO THE INSIDE OF HANDRAIL
- IF SILLS ARE TO BE USED PLACE ON COMPACTED SOIL

**MATERIALS LIST**

ITEM	DESCRIPTION	DIM.	FACTOR		CUT LENGTH	QTY.
			SINGLE RAIL	DOUBLE RAIL		
1	POST	4"x4" S4S	'A'	.125 + 1	.250 + 2	4'-6" LIN. FT.
2	KICK PLATE	4"x4" S4S	'A'	1	2	LIN. FT.
3	DECK	2"x8" S4S	'A'	7.5	7.5	5'-0" LIN. FT.
4	SLEEPER	2"x8" ROUGH	'A'	2	2	LIN. FT.
5	RAILING CAP	2"x6" S4S	'A'	1	2	LIN. FT.
6	RAILING	2"x4" S4S	'A'	2	4	LIN. FT.
7	STINGER		'A'	2	2	LIN. FT.
<b>TIMBER (STAIRS)</b>						
8	POST	4"x4" S4S	'B'			4'-6" LIN. FT.
9	CLEAT	4"x4" SCRAP	'B'			LIN. FT.
10	HEADER	2"x12" ROUGH	'B'	1	1	5'-0" LIN. FT.
11	STRINGER	2"x10" ROUGH	'B'	2.6	2.6	LIN. FT.
12	TREAD	2"x10" S4S	'B'	6	6	5'-0" LIN. FT.
13	RAILING CAP	2"x4" S4S	'B'	1.3	2.6	LIN. FT.
14	RAILING	2"x4" S4S	'B'	2.6	5.2	LIN. FT.
<b>ABUTMENTS (TIMBER OR CONCRETE)</b>						
15						
<b>HARDWARE</b>						
16	BOLT, 5/8" W/NUT & WASHER (GALV.)	'A'				
17	LAG SCREW (GALV.)					
18	POST ANCHOR 4"x4" (GALV.)					
19	NAILS (AS REQUIRED) (GALV.)					
20	DRIFT PIN					
<b>PAINT</b>						
21	GALLOWAY GREEN G.P. #32-058					
<b>MISC.</b>						
22	PLYWOOD FOR SIGN PLACEMENT	1/2"x16"x13"				2 PCS.

<b>Standard FOOTBRIDGE</b>	
File No:	Draft Date: 03/06
Approved By: <i>W. Marshall</i>	Revision No: Date: 01/08
Date:	Revision No: Date:
Ministry of Tourism, Sport and the Arts	Drawing Scale: 1" = 4" Sheet Size: 11" X 17"
	Drawing No: RST 481-FB-1