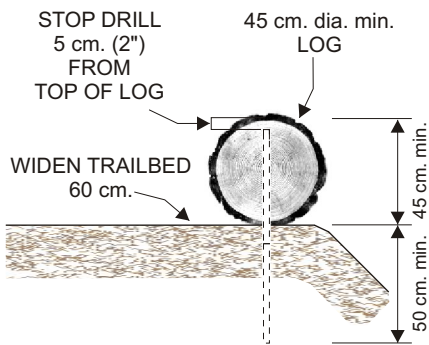


BARRIER - LOG

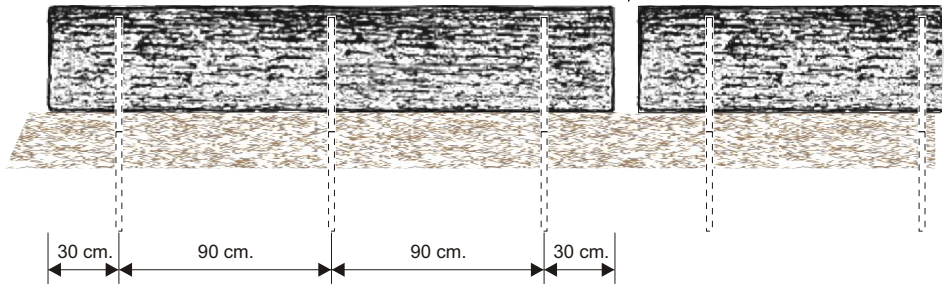


END VIEW

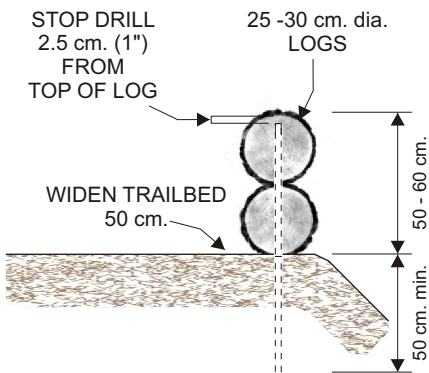
TYPE "A" SINGLE LOG

3/4" DIAMETER HOLES DRILLED FOR REBAR, REBAR SHALL BOTTOM 5 cm. (2") FROM TOP OF BARRIER LOG

LEAVE 7- 10 cm. OPENING BETWEEN ADJOINING LOGS.



FRONT VIEW

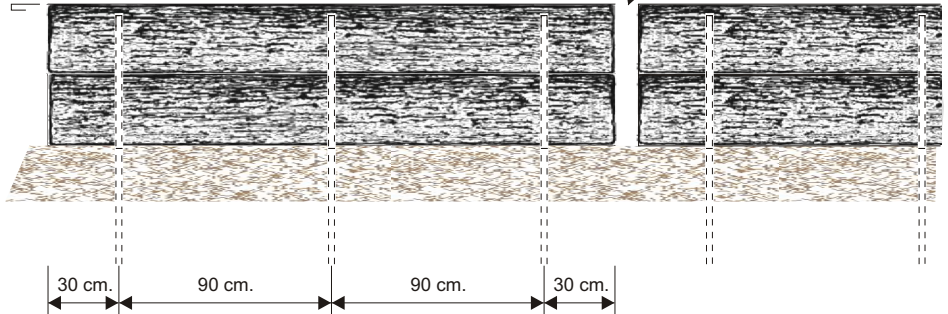


END VIEW

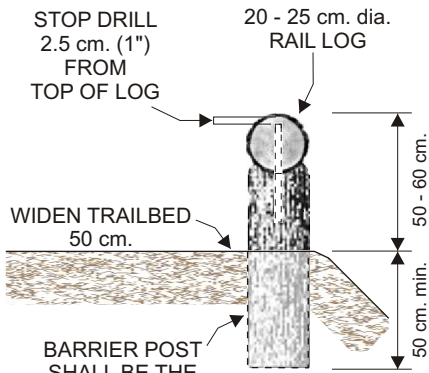
TYPE "B" DUAL LOG

3/4" DIAMETER HOLES DRILLED FOR REBAR, REBAR SHALL BOTTOM 2.5 cm. (1") FROM TOP OF BARRIER LOG

LEAVE 7- 10 cm. OPENING BETWEEN ADJOINING LOGS.



FRONT VIEW

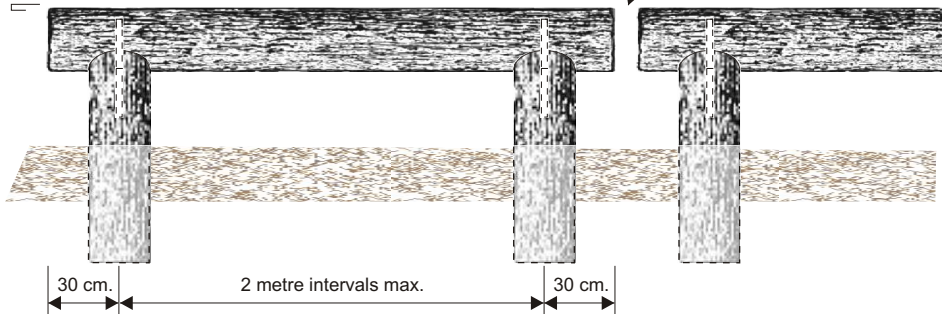


END VIEW


TYPE "C" SINGLE LOG POSTS

3/4" DIAMETER HOLES DRILLED FOR 40 cm. LONG REBAR, STOP HOLE 2.5 cm. (1") FROM TOP OF BARRIER LOG

LEAVE 7- 10 cm. OPENING BETWEEN ADJOINING LOGS.



FRONT VIEW

| Standard | | BARRIER - LOG | |
|---|--------------------|----------------|-------------------------------|
| File No: | | Draft Date: | 10/07 |
| Approved By: | <i>WJ Marshall</i> | Revision No: | Date: 01/08 |
| Date: | | Revision No: | Date: |
|  Ministry of Tourism, Sport and the Arts | | Drawing Scale: | 1 - 32 Sheet Size: 8.5" X 11" |
| | | Drawing No: | RST 481-B-1 |