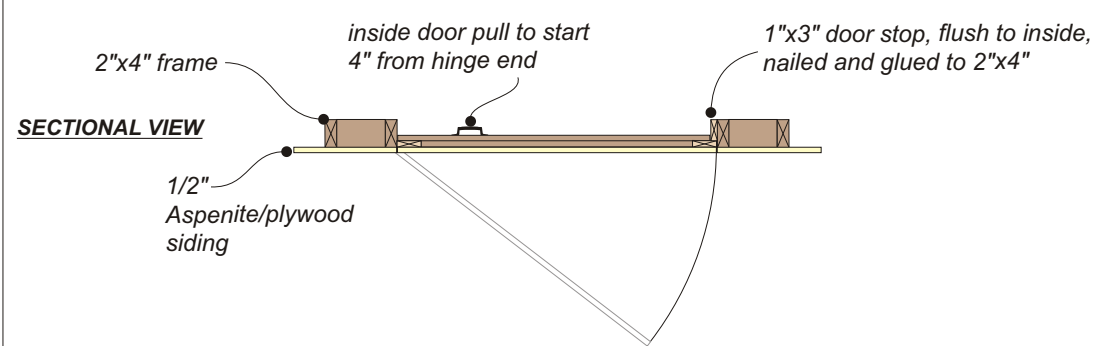
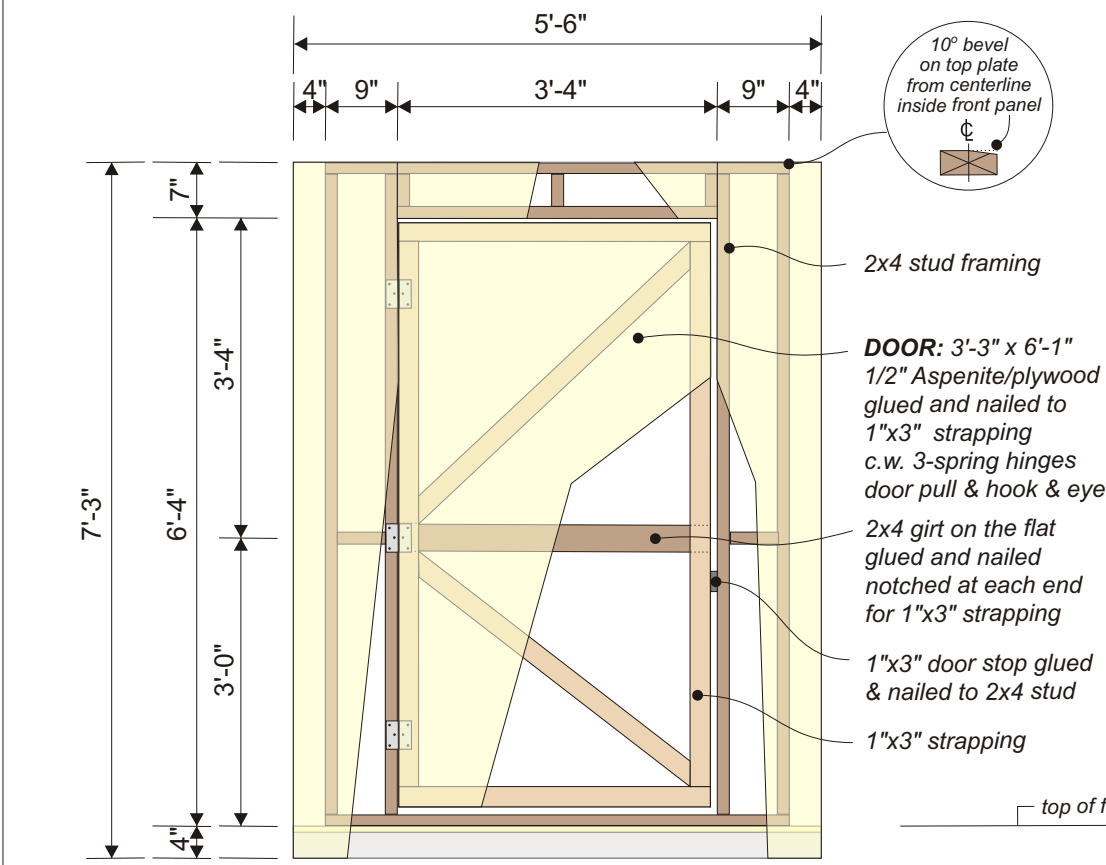
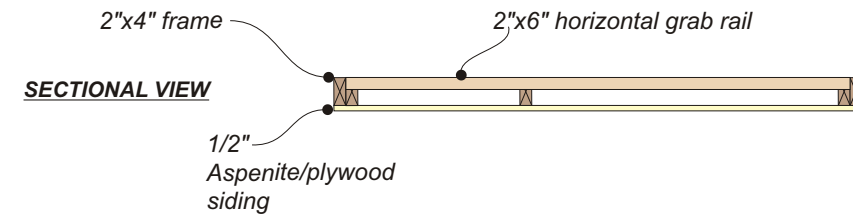
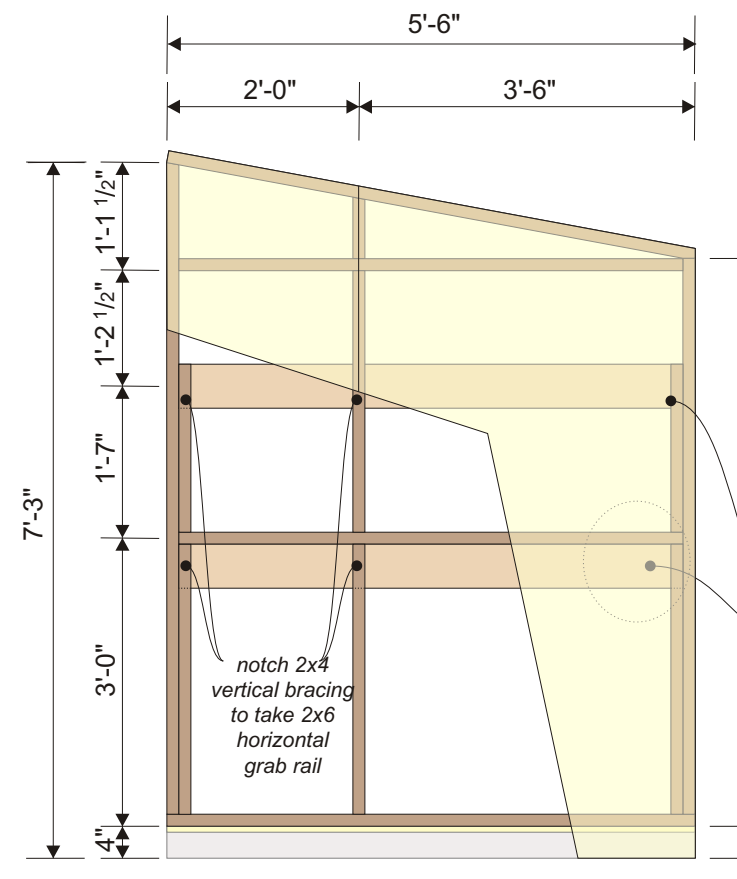


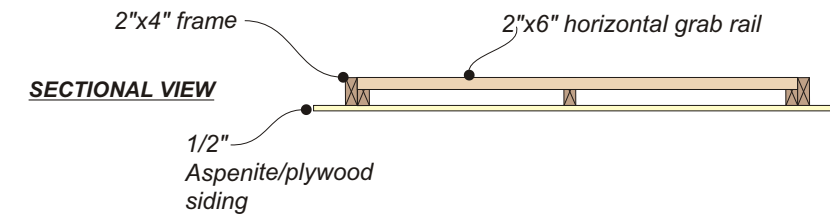
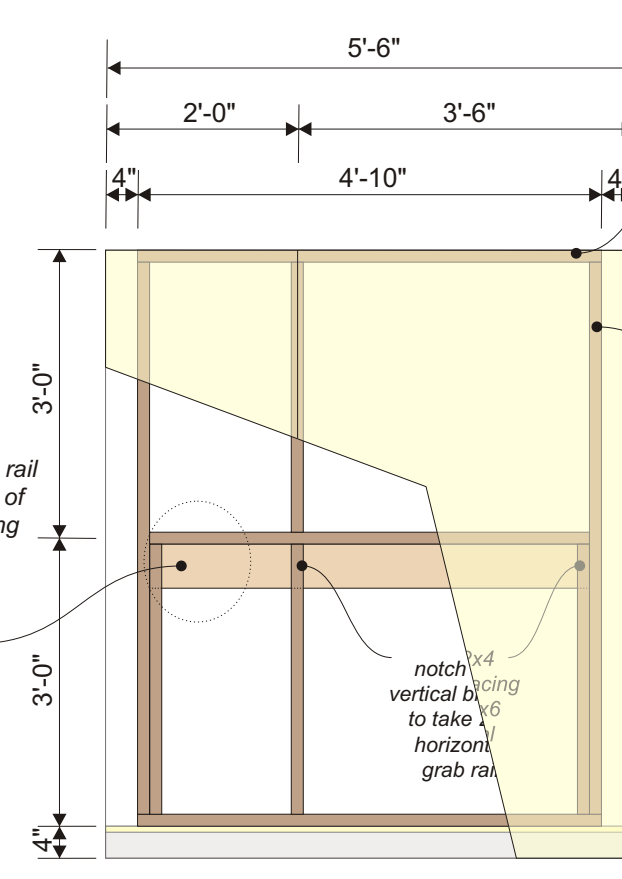
RECREATION SITE TOILETS - INSTALLATION 2 HANDICAP



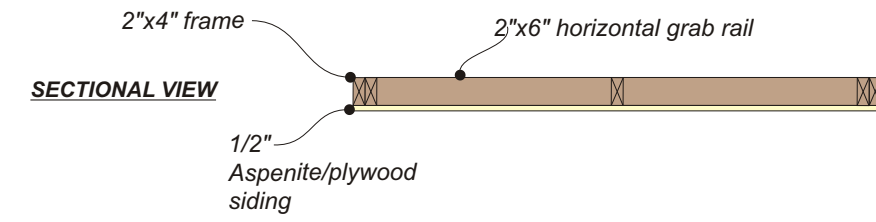
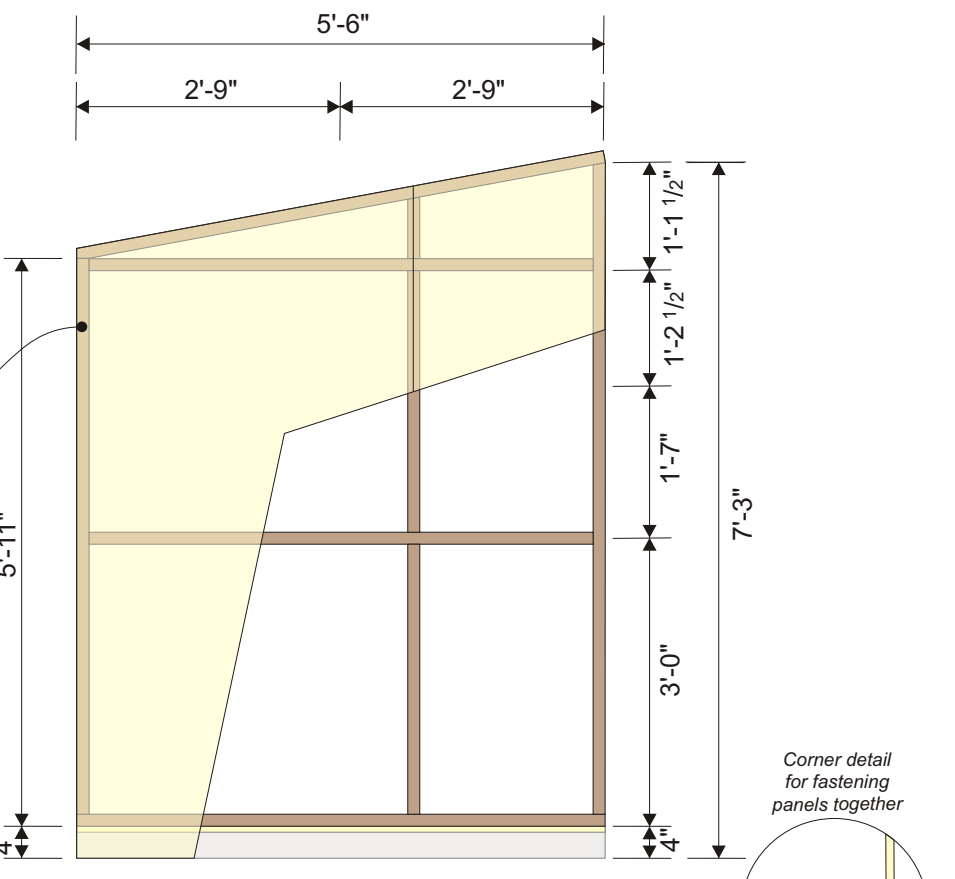
FRONT PANEL



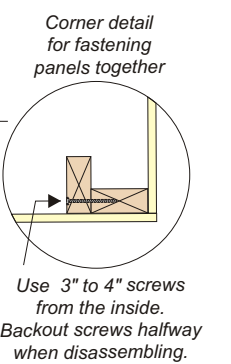
RIGHT SIDE PANEL



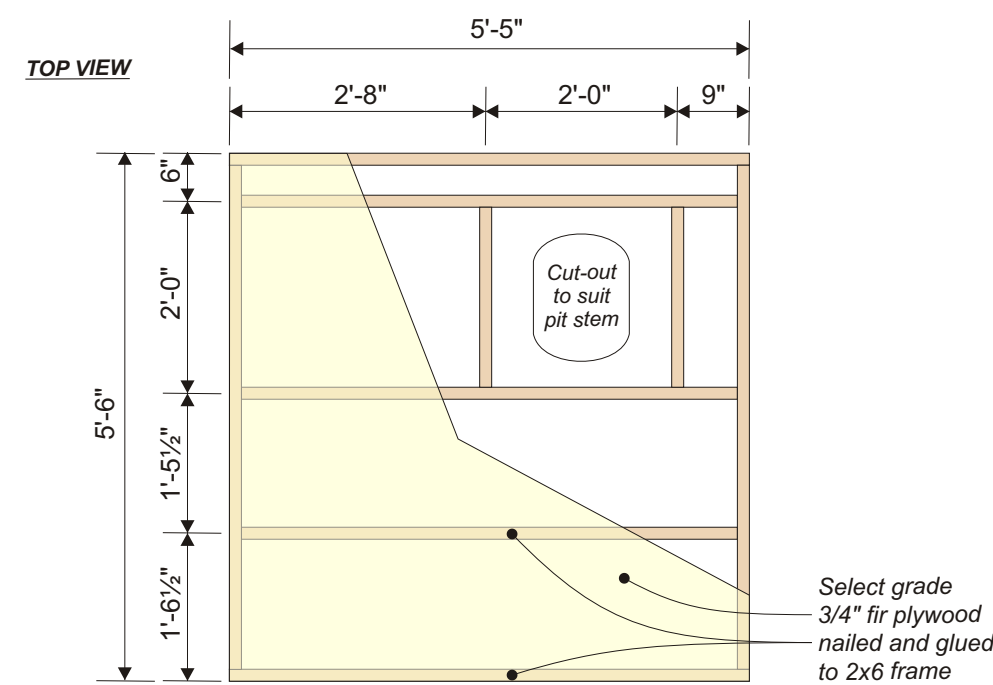
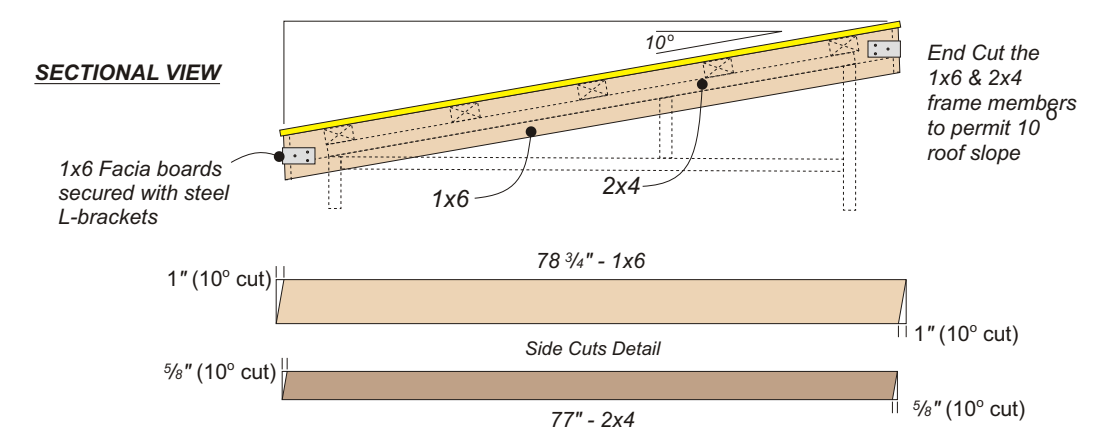
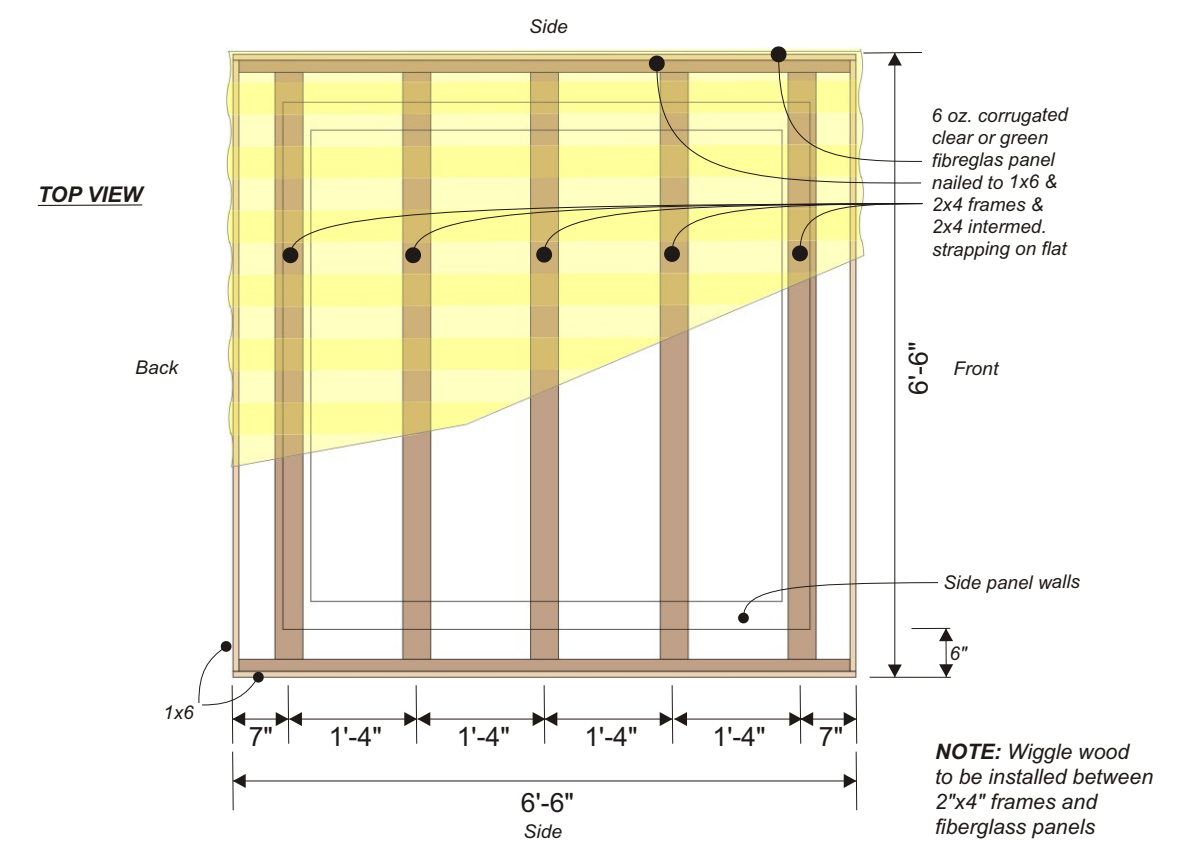
REAR PANEL



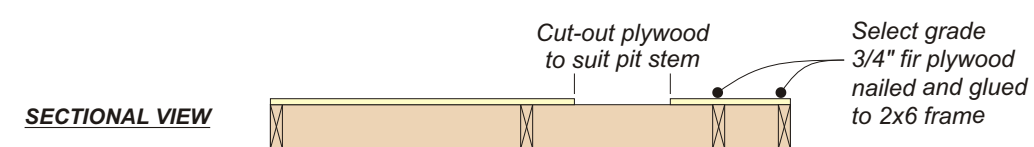
LEFT SIDE PANEL



ROOF PANEL



FLOOR PANEL



HARDWARE AND FINISHES

QUANTITY	SIZE	MATERIALS
3 pcs.	3"x2 1/2"	STANLEY 151 CG SPRING HINGES
22 pcs.	1 1/4" x #8	ROBERTSON HEAD WOOD SCREWS
2 pcs.	4 1/4"	STANLEY 1258 C2G DOOR PULLS
1 pc.	2 1/2"	GALVANIZED HOOK AND EYE
3 lbs.	3 1/4"	GALVANIZED FRAMING NAILS
1 lbs.	1 1/4"	GALVANIZED RING NAILS
1 lbs.	1 3/4"	ALUM. NAILS c/w WASHERS FOR FIBERGLASS ROOFING
1 tube	350ml	PL-4000 GLUE
1 can	1 LITRE	PWF CUT END SEALER

MATERIAL LIST

QUANTITY	SIZE	MATERIALS	REMARKS	
2 pcs.	2"x6" x 5'-6"	S4S SPF PWF	FLOOR PANEL	
2 pcs.	2"x6" x 5'-3"	S4S SPF PWF		
3 pcs.	2"x6" x 5'-2"	S4S SPF PWF		
2 pcs.	2"x6" x 1'-10 1/2"	S4S SPF PWF		
1 pc.	3'-0" x 5'-5"	SELECT 3/4" FIR PLYWOOD		
1 pc.	2'-6" x 5'-5"	SELECT 3/4" FIR PLYWOOD		
2 pcs.	1"x6" x 6'-6"	S4S SPF #2 OR BETTER	ROOF PANEL	
2 pcs.	1"x6" x 6'-4 1/2"	S4S SPF #2 OR BETTER		
2 pcs.	2"x4" x 6'-4 1/2"	S4S SPF #2 OR BETTER		
5 pcs.	2"x4" x 6'-1 1/2"	S4S SPF #2 OR BETTER		
4 pcs.	6oz. x 26" x 6'-8" 45'-6"	CORRIGATED FIBERGLASS PANEL WIGGLE WOOD		
4 pcs.	2"x4" x 6'-8"	S4S SPF #2 OR BETTER - STUD	FRONT PANEL	
2 pcs.	2"x4" x 4'-10"	S4S SPF #2 OR BETTER - T & B PLATE		
1 pc.	2"x4" x 3'-4"	S4S SPF #2 OR BETTER - LINTEL		
2 pcs.	2"x4" x 0'-6"	S4S SPF #2 OR BETTER - GIRT		
3 pcs.	2"x4" x 0'-4"	S4S SPF #2 OR BETTER - CRIPPLE		
2 pcs.	7"x3" x 0'-9"	1/2" ASPENITE/PLYWOOD SIDING		
1 pc.	3"x4" x 0'-7"	1/2" ASPENITE/PLYWOOD SIDING		
1 pc.	6'x1" x 3'x3"	1/2" ASPENITE/PLYWOOD DOOR	DOOR PANEL	
2 pc.	1"x3" x 3'x3"	S4S SPF #2 OR BETTER - T & B EDGING		
2 pc.	1"x3" x 5'-10"	S4S SPF #2 OR BETTER - VERTICAL EDGING		
1 pc.	1"x3" x 4'-1"	S4S SPF #2 OR BETTER - ANGLE BRACING		
1 pc.	1"x3" x 3'-10"	S4S SPF #2 OR BETTER - ANGLE BRACING		
1 pc.	2"x4" x 3'-3"	S4S SPF #2 OR BETTER - GIRT		
2 pcs.	2"x4" x 6'-9 1/2"	S4S SPF #2 OR BETTER - STUD		SIDE PANEL (MAKES TWO)
2 pcs.	2"x4" x 5'-9 1/2"	S4S SPF #2 OR BETTER - STUD		
4 pcs.	2"x4" x 5'-3"	S4S SPF #2 OR BETTER - GIRT		
2 pcs.	2"x4" x 6'-6"	S4S SPF #2 OR BETTER - BOTTOM PLATE		
2 pcs.	2"x4" x 6'-7 1/8"	S4S SPF #2 OR BETTER - TOP PLATE (10°)		
4 pcs.	2"x4" x 2'-9 3/4"	S4S SPF #2 OR BETTER - BRACING (3 notched*)		
2 pcs.	2"x4" x 2'-8 5/8"	S4S SPF #2 OR BETTER - BRACING (1 notched*)		
2 pcs.	2"x4" x 1'-9"	S4S SPF #2 OR BETTER - BRACING (notched*)		
2 pcs.	2"x6" x 5'-3"	S4S SPF #2 OR BETTER - GRAB RAIL*		
2 pcs.	2"x4" x 0'-7 5/8"	S4S SPF #2 OR BETTER - CRIPPLE		
2 pcs.	7'-4 1/2" x 2'-0"	1/2" ASPENITE/PLYWOOD SIDING (10°)		
2 pcs.	7'x0" x 3'-6"	1/2" ASPENITE/PLYWOOD SIDING (10°)		
2 pcs.	2"x4" x 5'-9"	S4S SPF #2 OR BETTER - STUD	REAR PANEL	
2 pcs.	2"x4" x 4'-10"	S4S SPF #2 OR BETTER - T & B PLATE		
1 pc.	2"x4" x 4'-7"	S4S SPF #2 OR BETTER - GIRT		
1 pc.	2"x6" x 4'-7"	S4S SPF #2 OR BETTER - GRAB RAIL		
4 pcs.	2"x4" x 2'-9 3/4"	S4S SPF #2 OR BETTER - BRACING (3 notched)		
1 pc.	6'-4" x 2'-0"	1/2" ASPENITE/PLYWOOD SIDING		
1 pc.	6'-4" x 3'-6"	1/2" ASPENITE/PLYWOOD SIDING		

TOILET - INSTALLATION 2 HANDICAP

Approved By:	DRAFT	Date:	02/08
File No:	Revision No:	Date:	09/08
Date:	Revision No:	Date:	
Drawing Scale: 1" x 1'		Sheet Size: 26" x 20"	
Drawing No: FS 481-T-1H			

