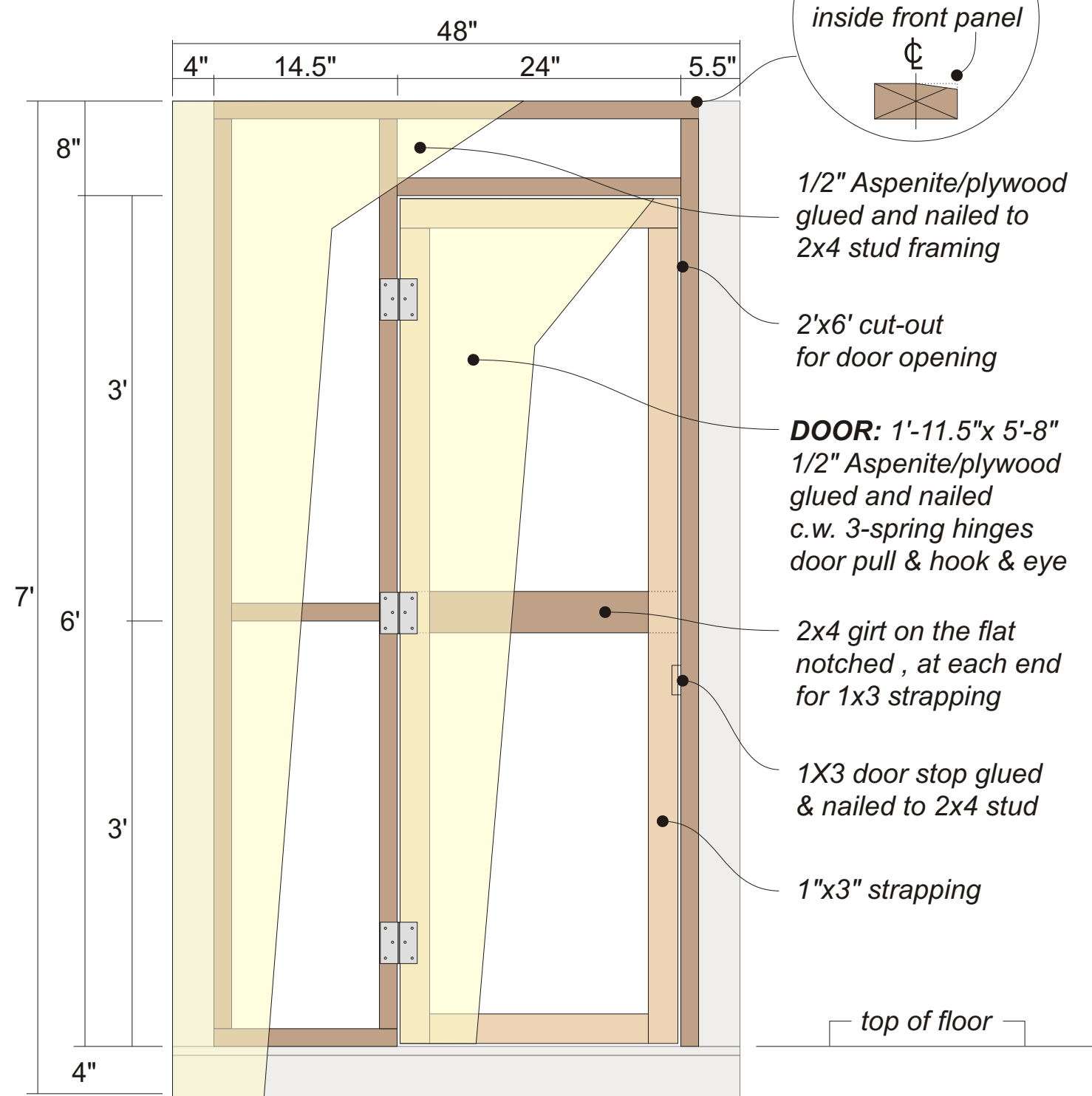
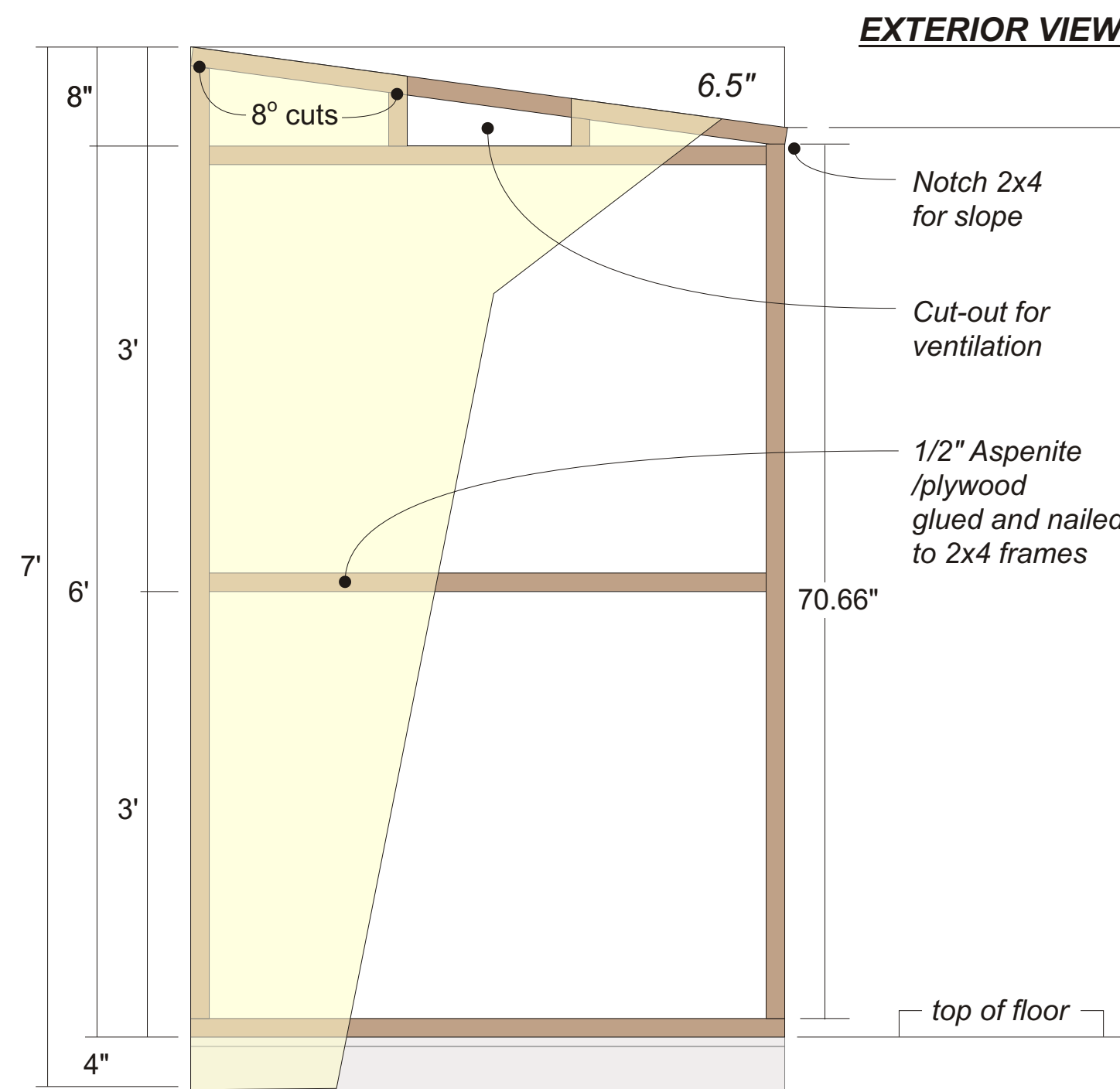


RECREATION SITE TOILETS - COMPONENTS

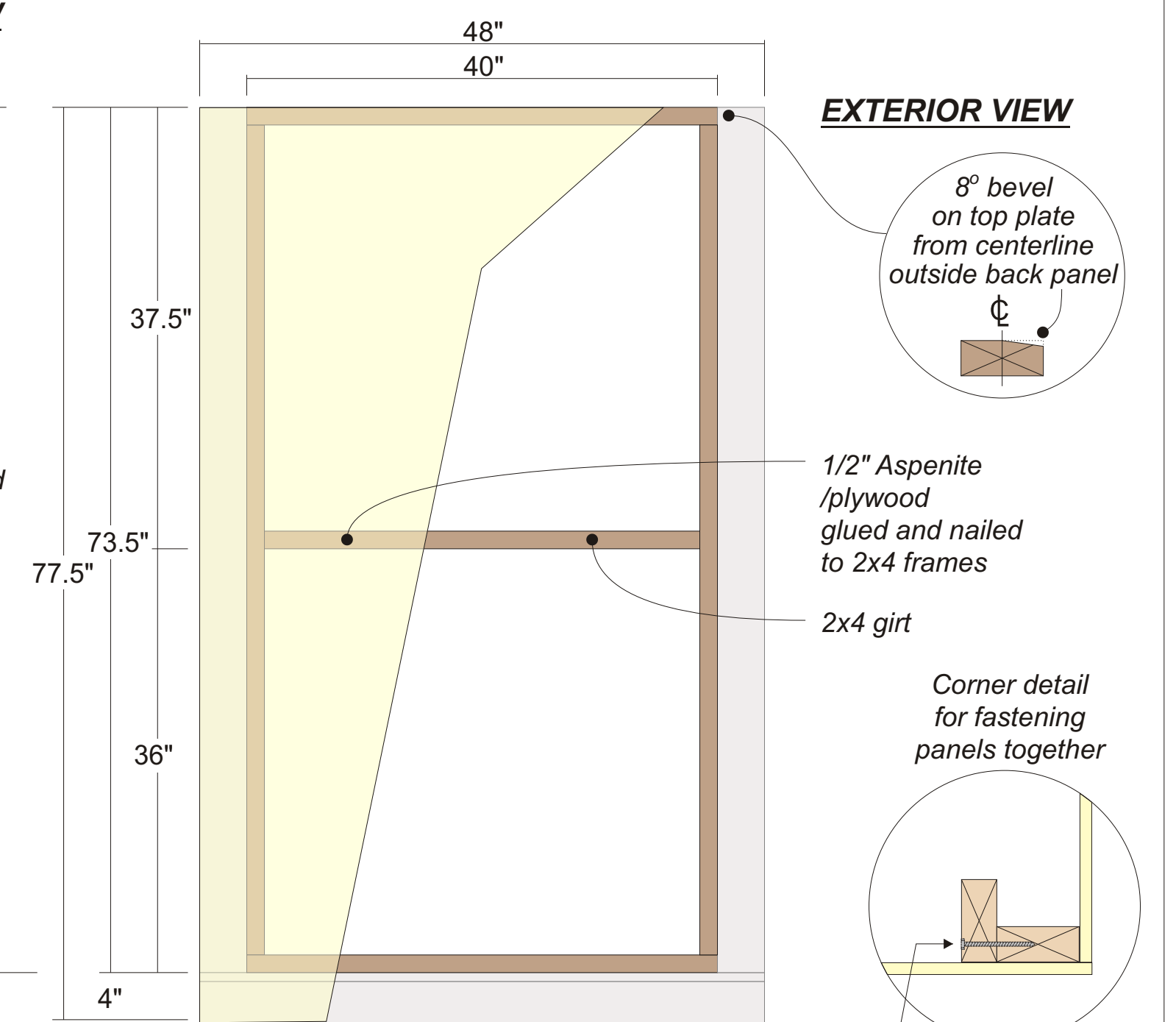
FRONT PANEL



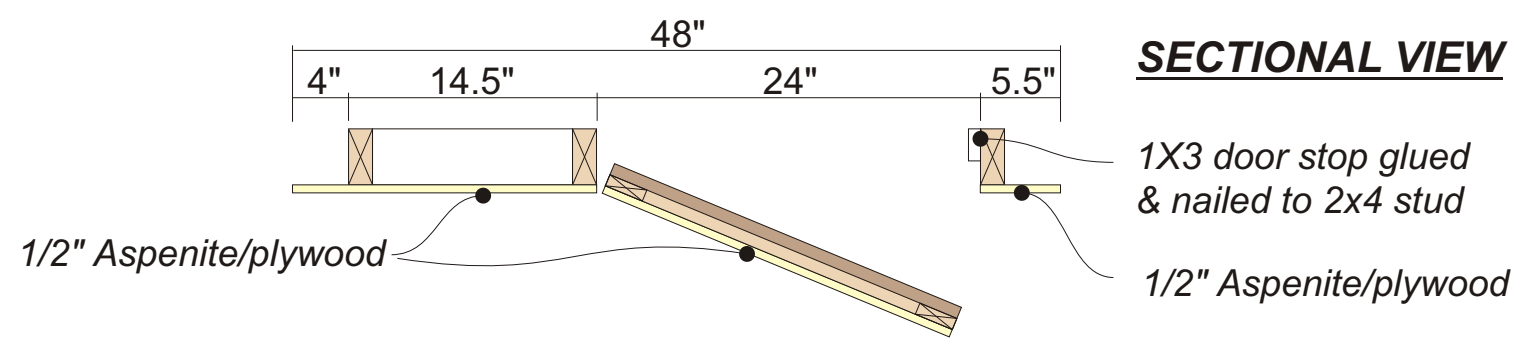
SIDE PANEL(s) 2 required, one with opposite const.



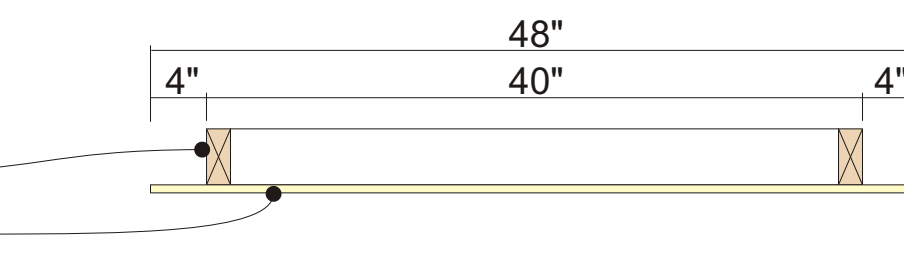
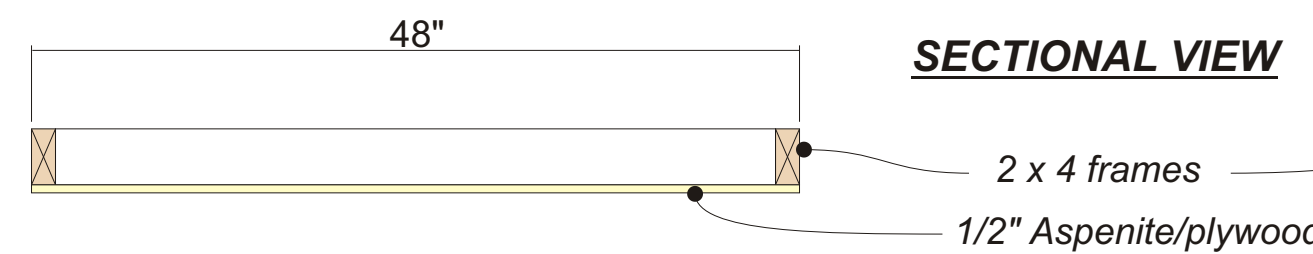
REAR PANEL



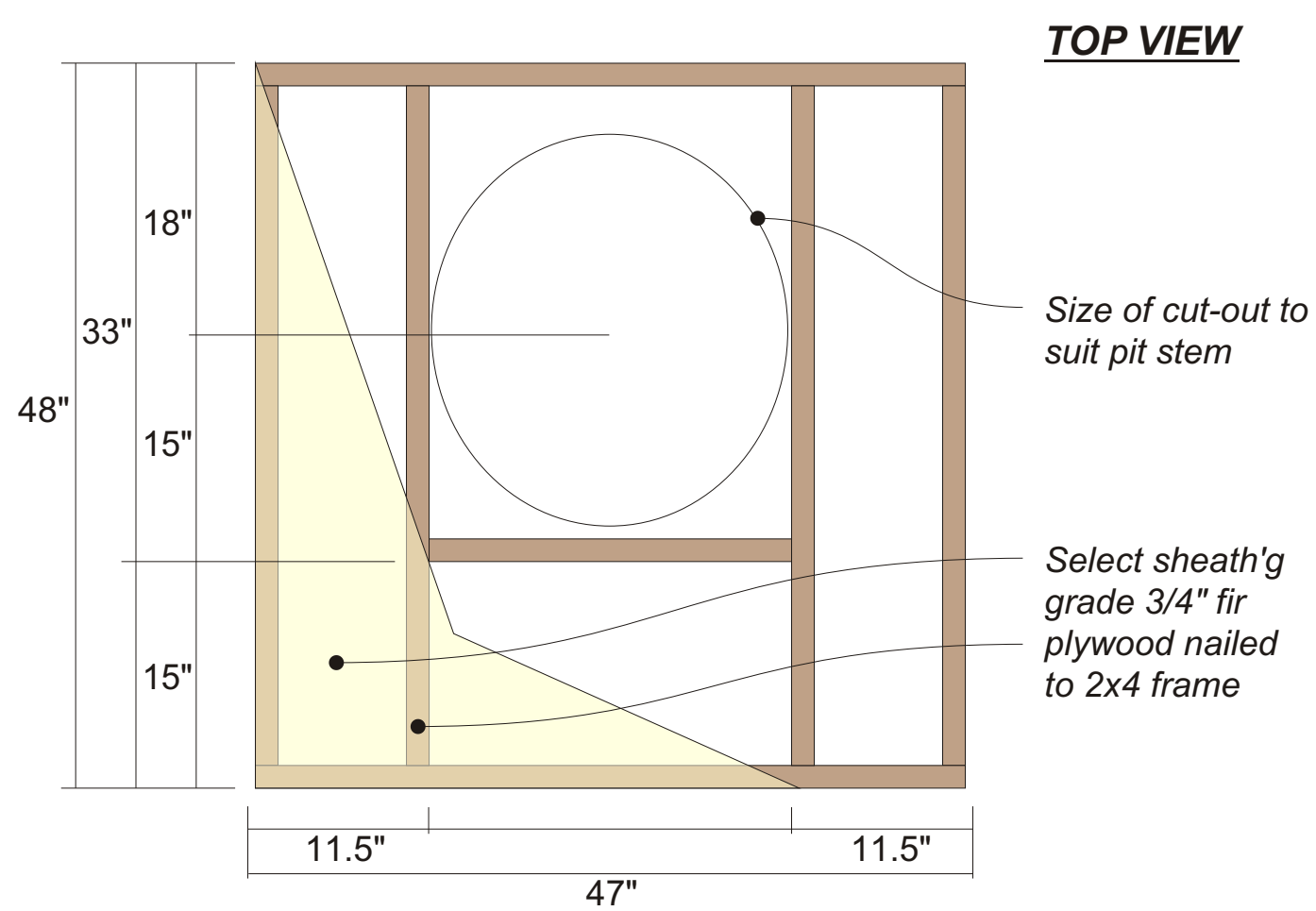
SECTIONAL VIEW



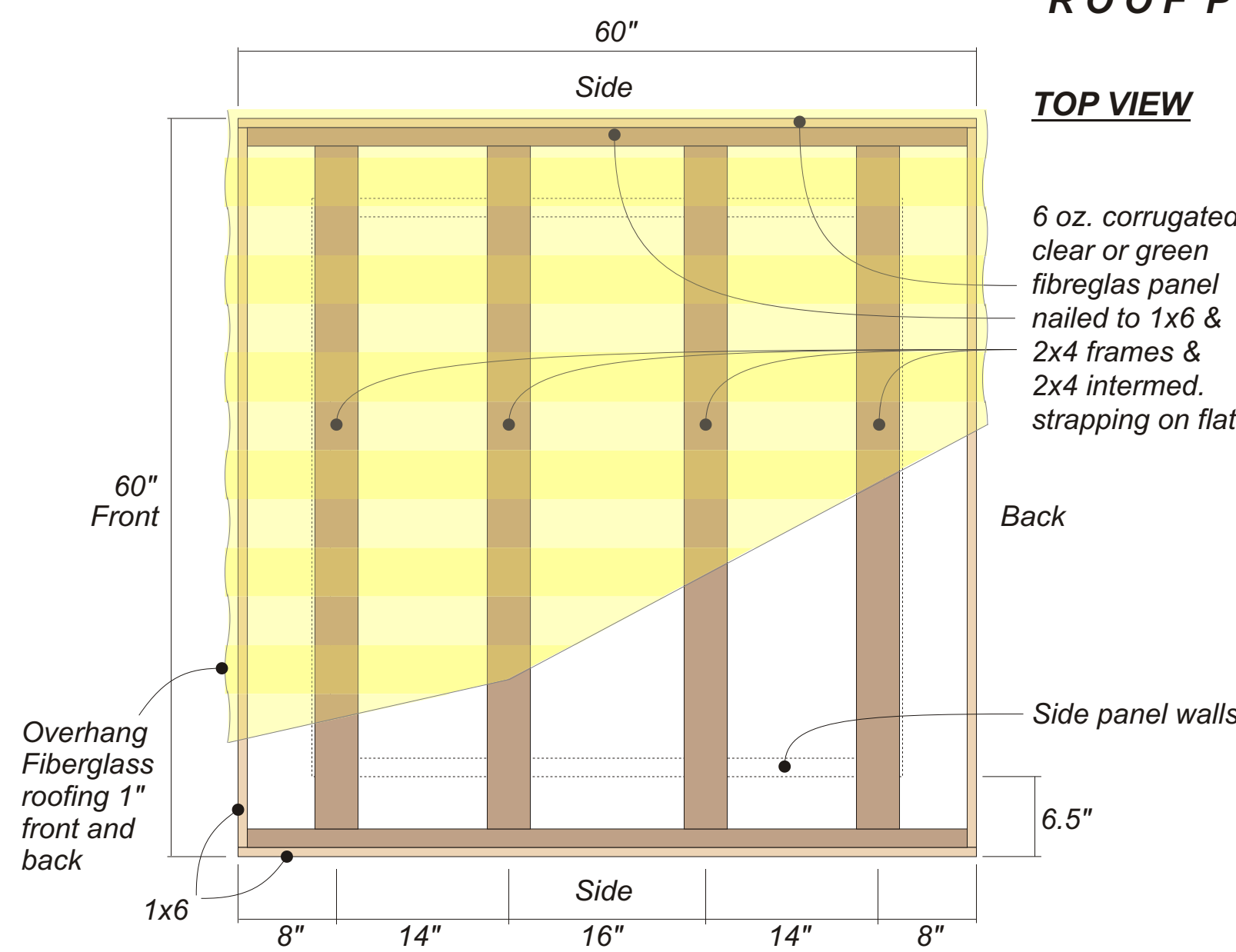
SECTIONAL VIEW



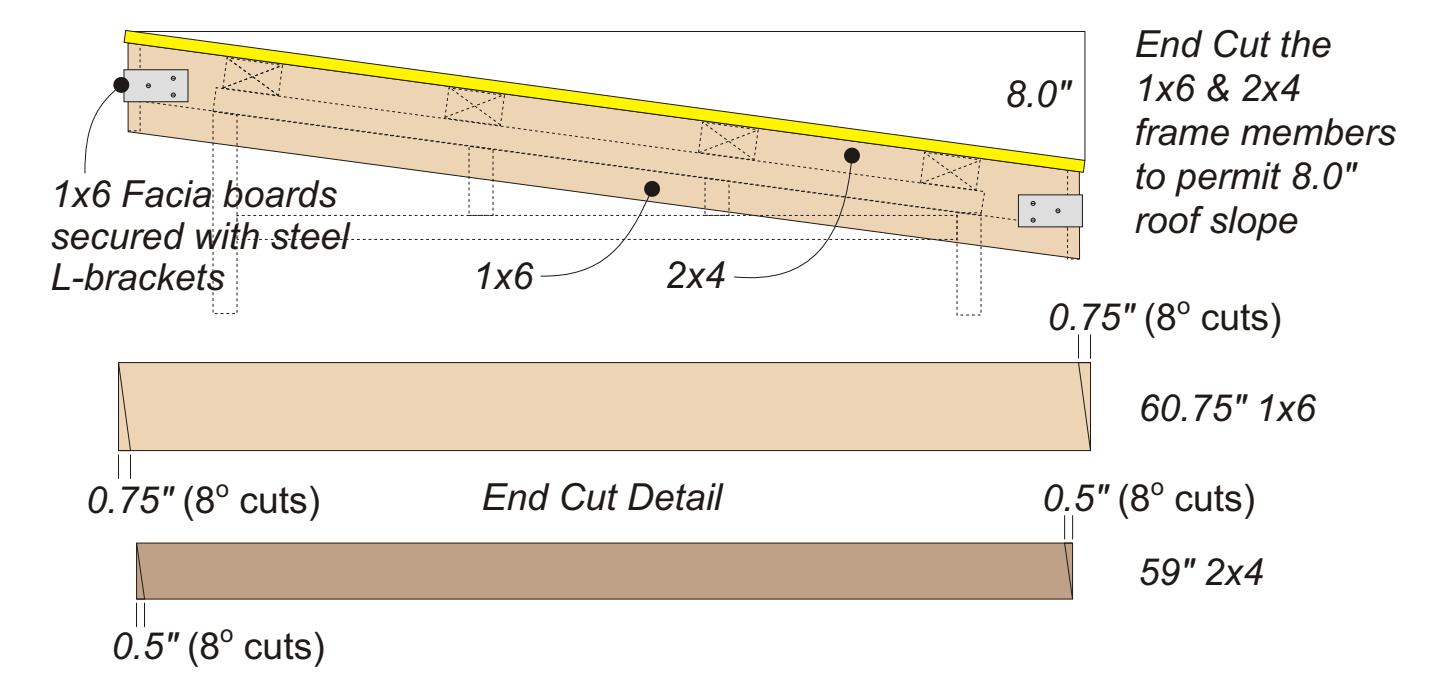
FLOOR PANEL



ROOF PANEL



SECTIONAL VIEW



Standard TOILET - COMPONENTS	
File No:	Draft Date: 07/05
Approved By: <i>W. Marshall</i>	Revision No: Date: 01/08
Date:	Revision No: Date:
Ministry of Tourism, Sport and the Arts	Drawing Scale: 1" x 1" Sheet Size: 26" x 20"
	Drawing No: RST 481-T-1