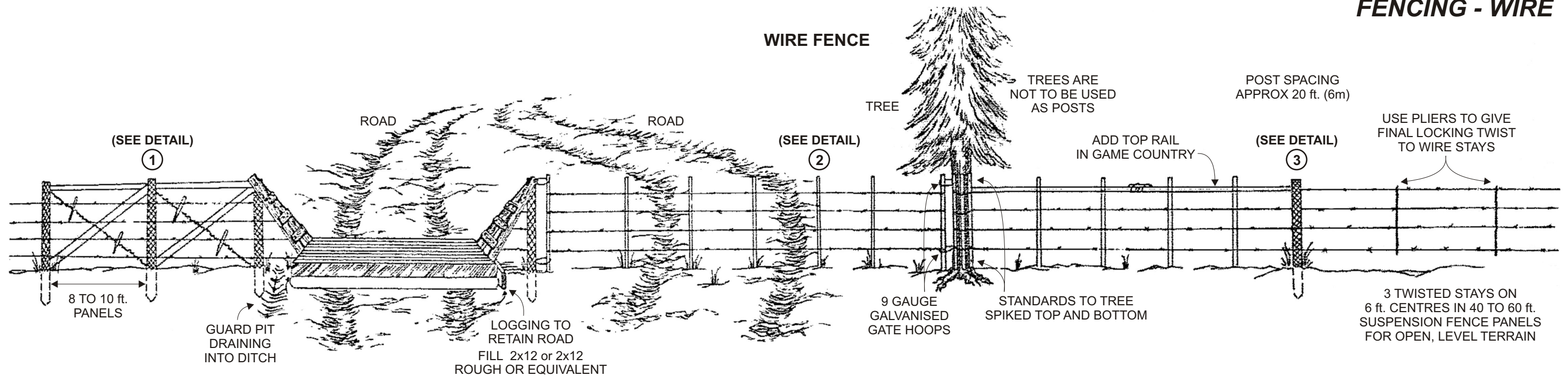
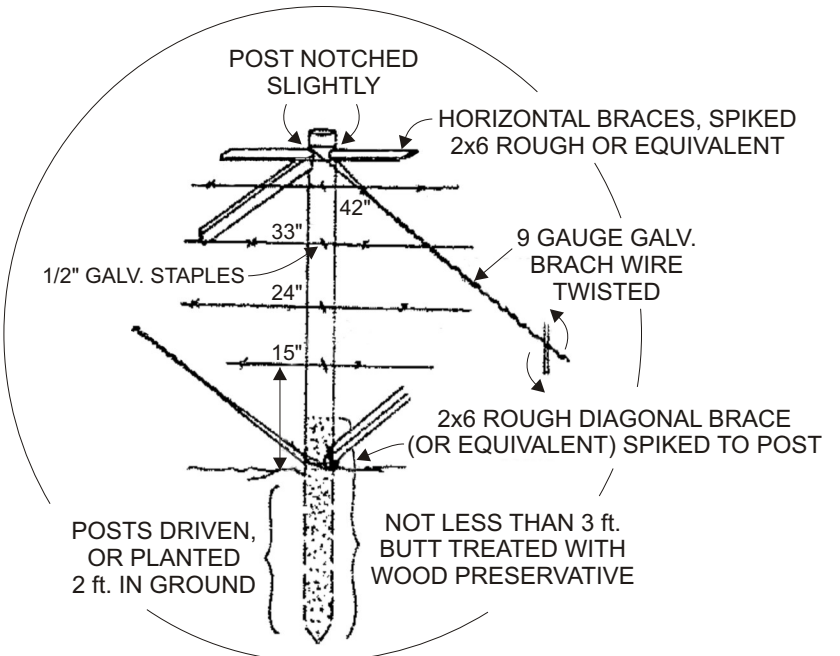


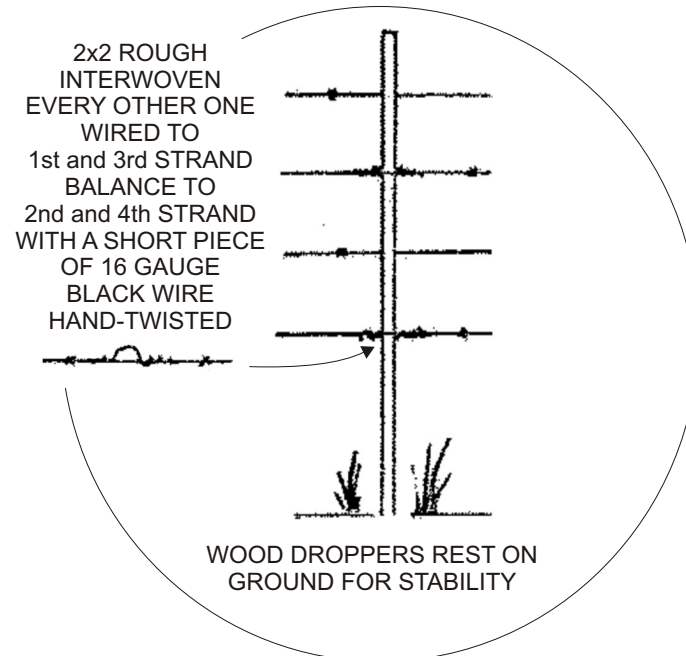
WIRE FENCE



DETAIL 1



DETAIL 2



DETAIL 3

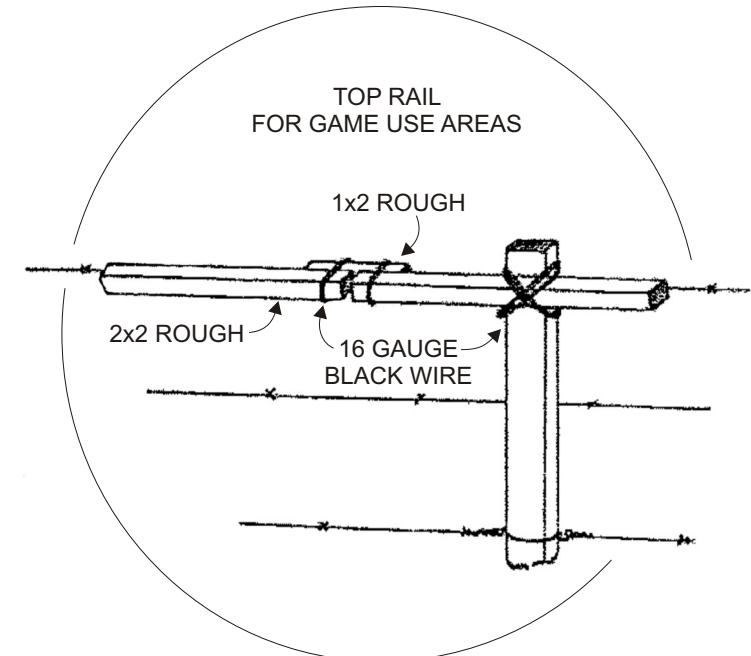
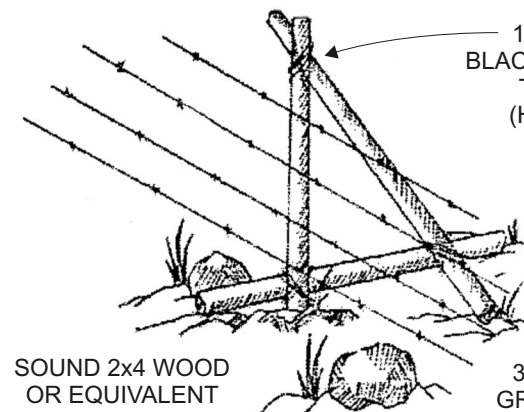
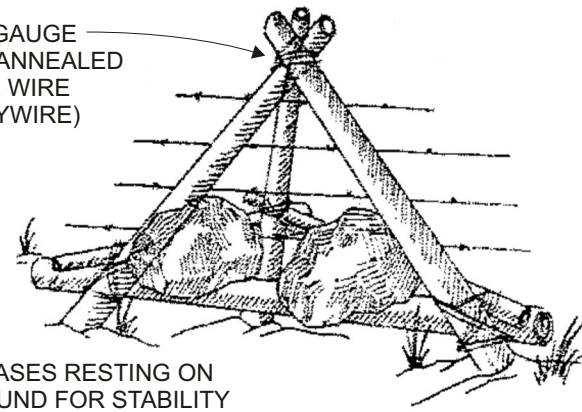



FIGURE 4 POST FOR ROCKY GROUND



WEIGHTED 'ROCK JACK' TO ANCHOR FENCE ON ROCKY GROUND



REFERENCE TO OTHER TYPES OF FENCES MAY BE FOUND IN THE **BRITISH COLUMBIA AGRICULTURE FENCING STANDARDS**

Standard		FENCING - WIRE	
File No:		Draft Date:	08/07
Approved By:	<i>W. Marshall</i>	Revision No:	Date: 01/08
Date:		Revision No:	Date:
 Ministry of Tourism, Sport and the Arts		Drawing Scale:	Sheet Size: 11" X 17"
		Drawing No:	RST 481-FW-1