

Autobahn ATB0

LED Roadway Luminaire

For more than 60 years, the American Electric Lighting name has been recognized for the highest quality and reliability in outdoor, utility and infrastructure lighting.

Designed to replace up to 250 watt HPS cobraheads, the virtually maintenance-free Autobahn ATB0 uses breakthrough LEDs and precision-engineered optics to provide exceptional illumination while also saving energy – typically 60% or more.

Plus, it works seamlessly with the Acuity Brands outdoor controls systems to maximize energy and maintenance savings through enhanced monitoring and control functions.

Lightweight, reliable and extremely efficient, the Autobahn Series is the definitive choice for roadway lighting renovation and improving sustainability in you infrastructure.



Consistent with LEED® goals
& Green Globes® criteria
for light pollution reduction

Key Selling Points

- High performance energy efficient solution for roadways, off-ramps, residential streets and parking lots
- 40-60% more efficient than comparable HID luminaires
- Sleek attractive dayform with weight and EPA less than comparable cobraheads
- Leading-edge optics improve visibility on roadways
- Nighttime Friendly™
- Tool-less features
- Designed to operate at 40°C ambient
- Best-in-class surge protection and efficacy (lpw)
- **Municipalities:** Energy efficiency and holistic longevity make it the ultimate sustainable solution for renovating legacy streetlights
- **Utilities:** Lineman-friendly features make it easy to install; its long, reliable operating life reduces the hassle of lighting grid maintenance (especially when paired with ROAM smart controls)

Quick Facts

- 50-250 watt HPS replacement
- ANSI 20kV/10kA Surge Protection
- Weight~14 lbs
- Types 2, 3, 4, & 5 Distributions
- 3000K, 4000K & 5000K CCT, 70CRI minimum
- ROAM Compatible

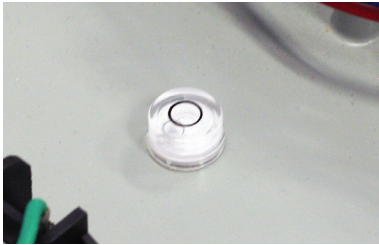
Applications

- Municipal Streets and Public Roadways
- Residential Areas
- Campuses
- Military Bases
- Industrial Parks
- Hotels and Resorts
- Municipal Parks
- Recreation Centers

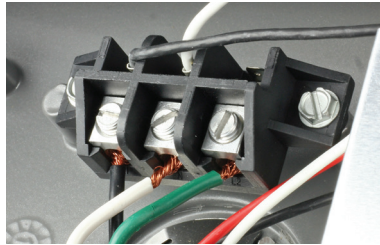
Simplified installation and controls

The Autobahn Series provides a variety of user-friendly features that facilitate simple installation and maintenance to save you time and money. Enhancements like a variety of industry-leading surge protection options set the ATB0 apart from competitive alternatives. State-of-the-art controls from Acuity Brands are easily integrated into the system through the 3-pin or even the optional 7-pin photocontrol receptacle that future-proofs your LED investment against obsolescence.

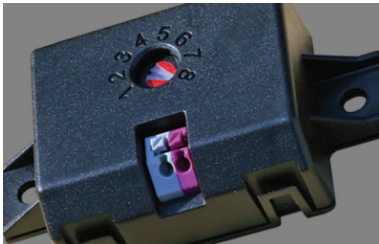
Features & Options



Internal bubble level facilitates installation



Terminal block can be wired using only a flat blade screwdriver



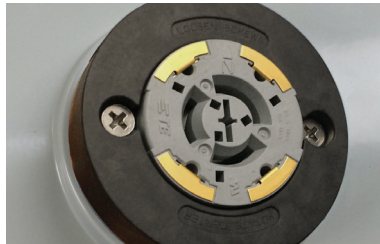
Field-adjustable output module



Thumb-latch for tool-less entry



NEMA 3-pin rotatable receptacle



NEMA 7-pin rotatable photocontrol receptacle

10kV/5kA "enhanced" surge protection

Standard Acuity SPD



Indicator Light SPD



MOV Pack

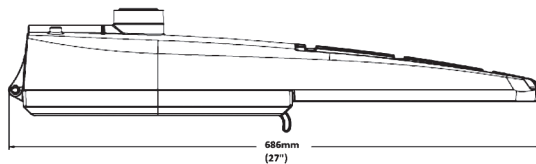
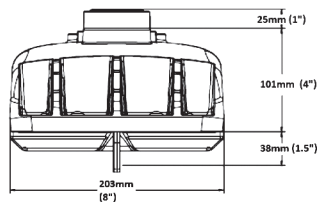
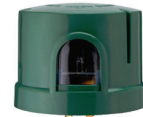


20kV/10kA "extreme" surge protection



The industry's best options in advanced photocontrols

DTL DLL Elite
20-year photocontrol



Effective Projected Area (EPA)
The EPA for the ATB0 is 0.76 sq. ft.
Approx. Wt.=14 lbs. (6.35 kg)
U.S. Patent No. D663,462



Warranty Five-year limited warranty. Full warranty terms located at www.acuitybrands.com/CustomerResources/Terms_and_conditions.aspx
Visit our web site at www.americanelectricalighting.com
Product specifications may change without notice. Please contact your sales representative for the latest product information.

Autobahn ATB2

LED Roadway Luminaire

For more than 60 years, the American Electric Lighting name has been recognized for the highest quality and reliability in outdoor, utility and infrastructure lighting.

Designed to replace up to 400 watt HPS cobraheads, the virtually maintenance-free Autobahn ATB2 uses breakthrough LEDs and precision-engineered optics to provide exceptional illumination while also saving energy – typically 60% or more.

Plus, it works seamlessly with the Acuity Brands outdoor controls systems to maximize energy and maintenance savings through enhanced monitoring and control functions.

Lightweight, reliable and extremely efficient, the Autobahn Series is the definitive choice for roadway lighting renovation and improving sustainability in you infrastructure.



Consistent with LEED® goals
& Green Globes® criteria
for light pollution reduction

Key Selling Points

- High performance energy efficient solution for high speed roadways, highway access ramps, and area lighting applications
- 40-60% more efficient than comparable HID luminaires
- Sleek attractive dayform with weight and EPA less than comparable cobraheads
- Leading-edge optics improve visibility on roadways
- Nighttime Friendly™
- Tool-less features
- Designed to operate at 40°C ambient
- Best-in-class surge protection and efficacy (lpw)
- **Municipalities:** Energy efficiency and holistic longevity make it the ultimate sustainable solution for renovating legacy streetlights
- **Utilities:** Lineman-friendly features make it easy to install; its long, reliable operating life reduces the hassle of lighting grid maintenance (especially when paired with ROAM smart controls)

Quick Facts

- 250-400 watt HPS replacement
- ANSI 20kV/10kA Surge Protection
- Weight~21 lbs
- Types 2, 3, 4, & 5 Distributions
- 3000K, 4000K & 5000K CCT, 70CRI minimum
- ROAM Compatible
- Removable "Power Door" standard

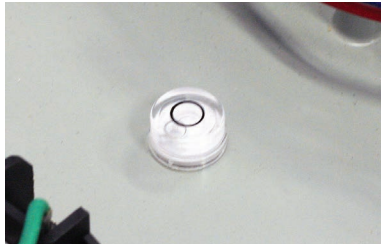
Applications

- Municipal Streets and Public Roadways
- Residential Areas
- Campuses
- Military Bases
- Industrial Parks
- Hotels and Resorts
- Municipal Parks
- Recreation Centers

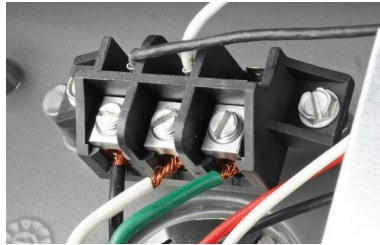
Simplified installation and controls

The Autobahn Series provides a variety of user-friendly features that facilitate simple installation and maintenance to save you time and money. Enhancements like a removable power door and a variety of industry-leading surge protection options set the ATB2 apart from competitive alternatives. State-of-the-art controls from Acuity Brands are easily integrated into the system through the 3-pin or even the optional 7-pin photocontrol receptacle that future-proofs your LED investment against obsolescence.

Features & Options

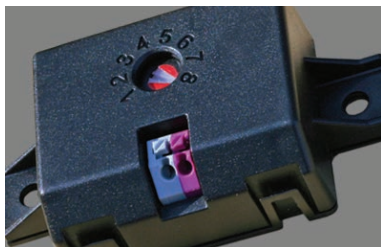
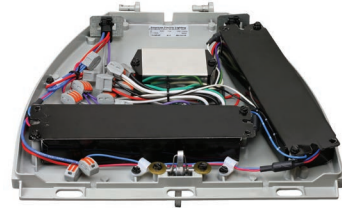


Internal bubble level facilitates installation



Terminal block can be wired using only a flat blade screwdriver

ATB2 removable power door



Field-adjustable output module



Thumb-latch for tool-less entry

10kV/5kA "enhanced" surge protection

Standard Acuity SPD



Indicator Light SPD



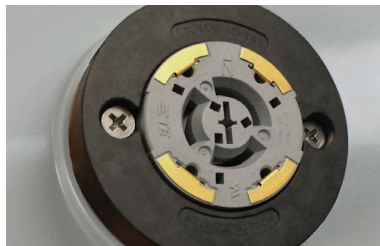
MOV Pack



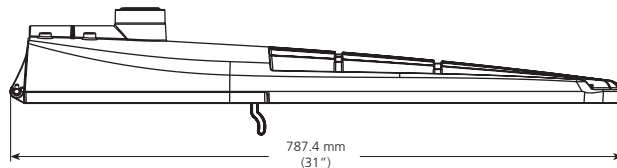
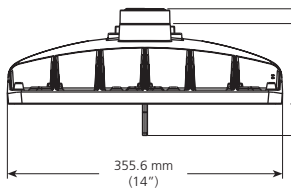
20kV/10kA "extreme" surge protection



NEMA 3-pin rotatable receptacle



NEMA 7-pin rotatable photocontrol receptacle



Effective Projected Area (EPA)
The EPA for the ATB2 is 0.78 sq. ft.
Approx. Wt.=21 lbs. (9.53 kg)

U.S. Patent No. D663,462



Warranty Five-year limited warranty. Full warranty terms located at www.acuitybrands.com/CustomerResources/Terms_and_conditions.aspx
Visit our web site at www.americanelectricalighting.com
Product specifications may change without notice. Please contact your sales representative for the latest product information.



Autobahn Series ATB2, ATB0 and ATB Micro

LED Roadway Lighting



The Autobahn Series is the best value available for efficient, reliable cobra head replacement.

For more than 60 years, the American Electric Lighting® name has been recognized for the highest quality and reliability in outdoor, utility and infrastructure lighting.

Designed to replace 70-400 watt HPS cobra heads, the virtually maintenance-free Autobahn Series uses breakthrough LEDs and precision-engineered optics to provide exceptional illumination while also saving energy –typically 60% or more.

Plus, it works seamlessly with Acuity Brands® outdoor control systems to maximize energy and maintenance savings through enhanced monitoring and control functions.

Municipalities: Energy efficiency and holistic longevity make it the ultimate sustainable solution for renovating legacy streetlights.

Utilities: Lineman-friendly features make it easy to install; its long, reliable operating life reduces the hassle of lighting grid maintenance (especially when paired with Acuity Brands smart controls).

Reduce
Maintenance Cost by

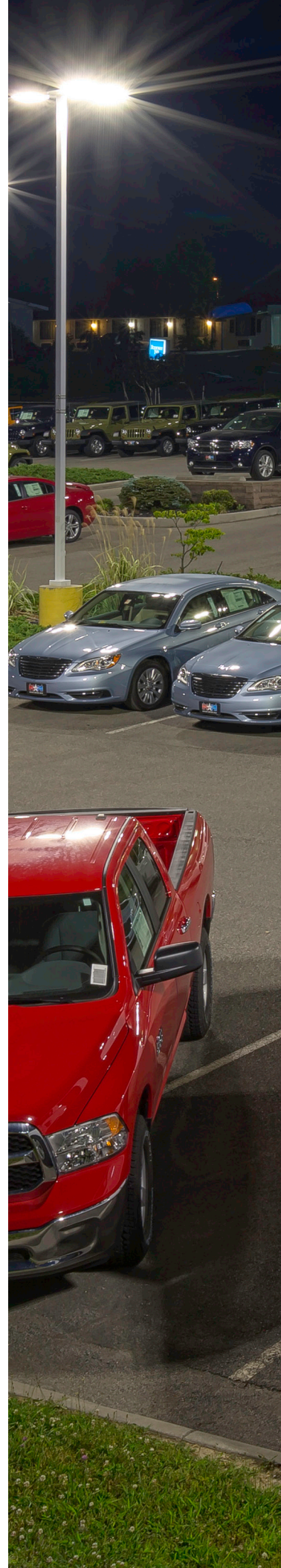
50%

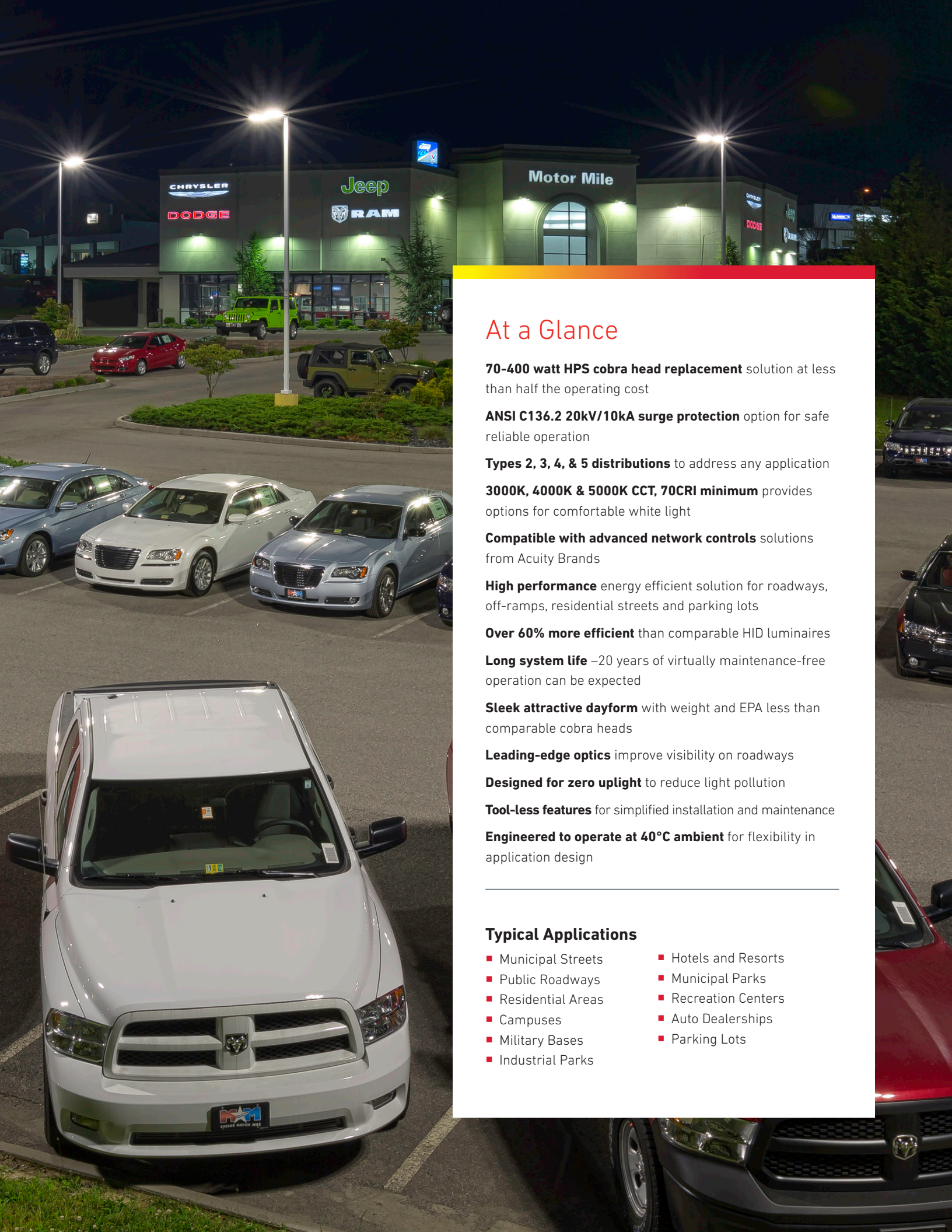
Reduce
Energy Costs by

60%

Reduce
CO2 Emissions by

60%





At a Glance

70-400 watt HPS cobra head replacement solution at less than half the operating cost

ANSI C136.2 20kV/10kA surge protection option for safe reliable operation

Types 2, 3, 4, & 5 distributions to address any application

3000K, 4000K & 5000K CCT, 70CRI minimum provides options for comfortable white light

Compatible with advanced network controls solutions from Acuity Brands

High performance energy efficient solution for roadways, off-ramps, residential streets and parking lots

Over 60% more efficient than comparable HID luminaires

Long system life –20 years of virtually maintenance-free operation can be expected

Sleek attractive dayform with weight and EPA less than comparable cobra heads

Leading-edge optics improve visibility on roadways

Designed for zero uplight to reduce light pollution

Tool-less features for simplified installation and maintenance

Engineered to operate at 40°C ambient for flexibility in application design

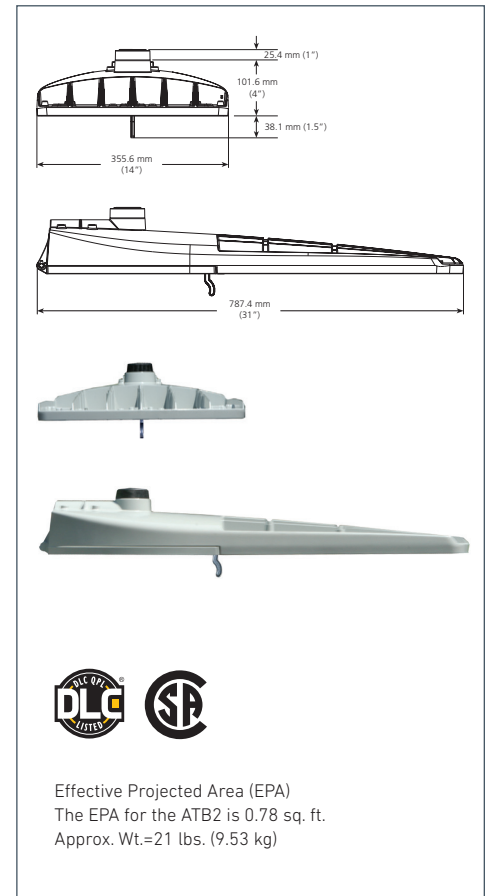
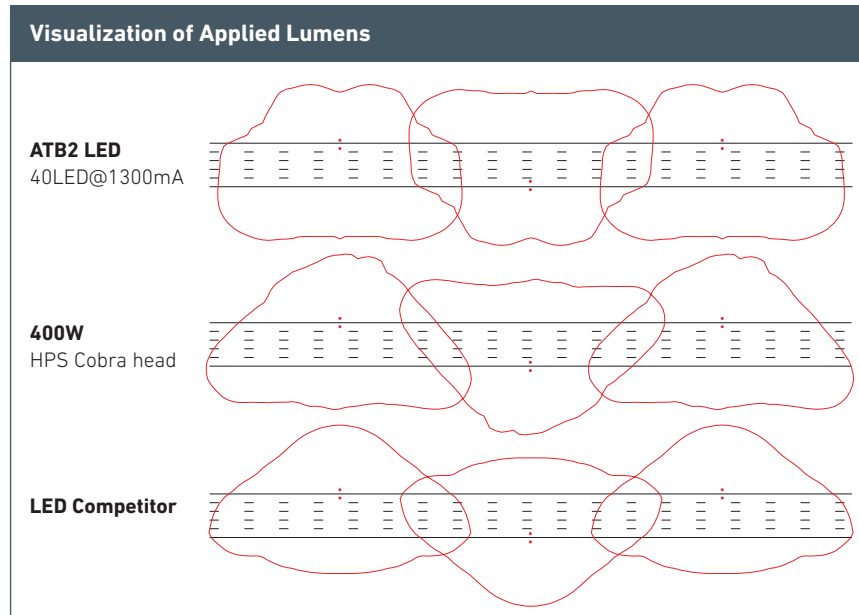
Typical Applications

- Municipal Streets
- Public Roadways
- Residential Areas
- Campuses
- Military Bases
- Industrial Parks
- Hotels and Resorts
- Municipal Parks
- Recreation Centers
- Auto Dealerships
- Parking Lots

Autobahn Performance

When compared to 400W HPS, the Autobahn provides outstanding uniformity with 60% or more energy savings –outshining even the best of LED competitors.

ATB2



Luminaire Performance	400W HPS Cobra head	Autobahn LED 40LED@1300mA	LED Competitor
Pole Spacing	440	440	440
Average Footcandles	1.1	0.7	0.6
Avg/Min	5.5	2.3	3
Power (Watts)	465	172	198
Energy Savings	Baseline	63%	57%

Autobahn ATB2

- Up to 400W HPS Replacement
- 40, 60, 80 LEDs
- Types II, III, IV & V distributions



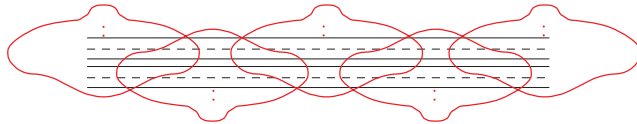
Optical Engineering

Using breakthrough LEDs and highly engineered precision optics, the Autobahn series offers extremely efficient optical distributions, multiple lumen packages and durable IP rated construction.

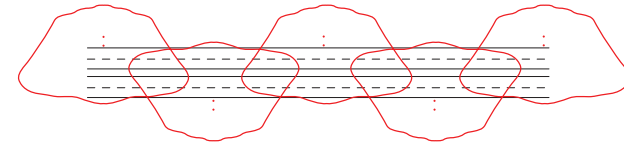
ATB0

Visualization of Applied Lumens

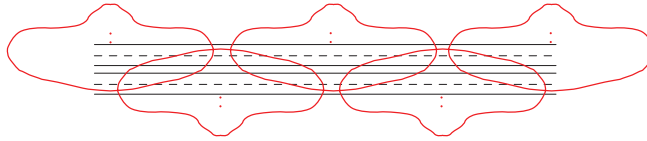
ATB0 LED
30LED@1500mA



250W HPS Cobra head



LED Competitor



Luminaire Performance	100W HPS Cobra head	Autobahn LED 10LED@1050mA	LED Competitor
Pole Spacing	260	260	260
Average Footcandles	1.3	1.1	1
Avg/Min	3.3	1.8	1.7
Power (Watts)	292	145	166
Energy Savings	Baseline	50%	43%

DLC **SA**

Effective Projected Area (EPA)
The EPA for the ATB0 is 0.76 sq. ft.
Approx. Wt.=14 lbs. (6.35 kg)



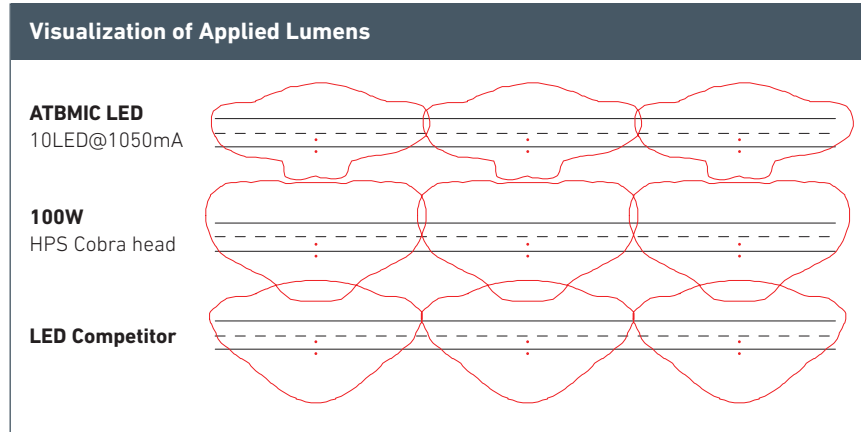
Autobahn ATB0

- Up to 250W HPS Replacement
- 20 or 30 LEDs
- Types II, III, IV & V distributions

Value-Driven

The Autobahn family maximizes value for the customer through reliable, smart luminaire designs. These designs combine high quality materials and components with a focus on driving the overall product cost down to an affordable solution for challenging budgets.

ATB Micro (ATBMIC)



Luminaire Performance	100W HPS Cobra head	Autobahn LED 10LED@1300mA	LED Competitor
Pole Spacing	180	180	180
Average Footcandles	0.7	0.4	0.4
Avg/Min	7	4	4
Power (Watts)	115	37	71
Energy Savings	Baseline	68%	38%

0.8" (21mm)
3.5" (89mm)
1.7" (42mm)
7.5" (190mm)

16.6" (422mm)

DLC **SA**

Effective Projected Area (EPA)
The EPA for the ATB0 is 0.36 sq. ft.
Approx. Wt.=8 lbs. (3.6 kg)



Autobahn ATB Micro

- Up to 100W HPS Replacement
- 10 LEDs
- Types II, III & V distributions

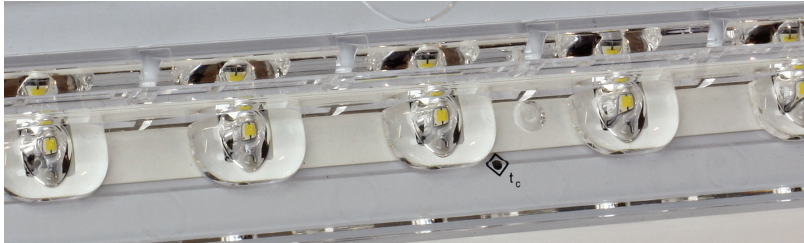


Utility-Friendly

Engineered with utilities in mind, AEL designs all Autobahn luminaires to be installed as quickly and safely as possible. Your time is money and the ATB family helps you optimize your schedule by reducing time on the pole or in the bucket.

Features & Options

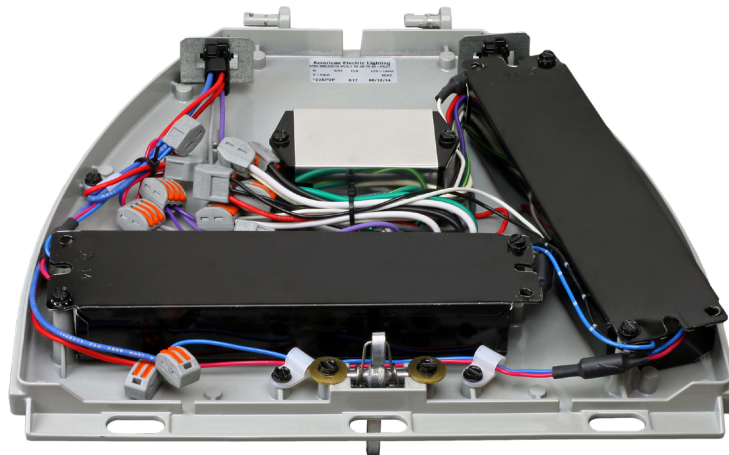
High-efficacy discrete LED light engine with long, reliable system life



20kV/10kA "extreme" surge protection



Removable Power Door –ATB2 only



10kV/5kA "enhanced" surge protection

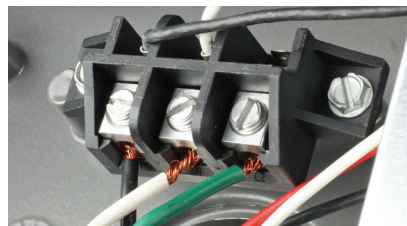


The industry's best options in advanced photocontrols

DTL® DLL Elite
20-year photocontrol



Internal bubble level simplifies installation



Terminal block can be wired using only a flat blade screwdriver



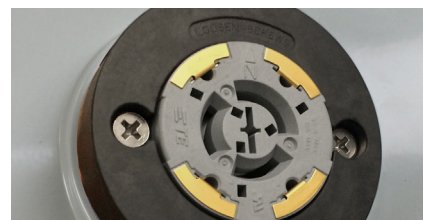
Trigger latch for tool-less entry



Field-adjustable lumen output module



2-bolt mounting on ATB0 & Micro; 4-bolt on ATB2



NEMA 7-pin rotatable photocontrol receptacle

Autobahn Control Options

Feature	Operation Definition	Fixture Option
NEMA 3-Pin Photocontrol Receptacle	ANSI standard locking style receptacle that accepts 3-pin controls for On/Off operation	Default
NEMA 7-Pin Photocontrol Receptacle	ANSI standard locking style receptacle that accepts 3-pin, 5-pin, and 7-pin controls. The unit is provided with a 0V - 10V dimming driver with low voltage leads connected to pins 4 & 5 on the receptacle.	P7
Dimmable Driver	Fixture is supplied with a 0 - 10 volt dimming driver with low voltage leads available for connection to control device provided by others (e.g. motion sensor)	DM
Premium Solid State Photocontrol	Premium Dark to Light®, DSS solid state approved locking style photocontrol with <u>10 year rated life</u> and <u>5 year warranty</u>	PCSS
Extreme Long Life Solid State Photocontrol	Premium Dark to Light® DLL solid state approved locking style photocontrol with <u>20 year rated life</u> and <u>10 year warranty</u>	PCLL
Field Adjustable Lumen Output	Onboard module that provides (8) different settings to adjust the light output and input wattage from 100% down to approximately 35% to meet site specific requirements, allowing a single fixture configuration to be flexibly applied in many different applications	AO
Remote Wireless Monitoring & Control (On/Off/Dim)	The ability to monitor and control the fixture from a remote location using a wireless network. The control must be purchased separately and attached to the fixture through the photocontrol receptacle.	P3 (default), P7



Warranty Five-year limited warranty. Full warranty terms located at www.acuitybrands.com/CustomerResources/Terms_and_conditions.aspx
 Visit our web site at www.americanelectriclighting.com
 Product specifications may change without notice. Please contact your sales representative for the latest product information.

Autobahn ATB Micro

LED Roadway Luminaire

For more than 60 years, the American Electric Lighting name has been recognized for the highest quality and reliability in outdoor, utility and infrastructure lighting.

Designed to replace up to 100 watt HPS cobraheads, the virtually maintenance-free Autobahn ATB Micro uses breakthrough LEDs and precision-engineered optics to provide exceptional illumination while also saving energy – typically 60% or more.

Plus, it works seamlessly with the Acuity Brands outdoor controls systems to maximize energy and maintenance savings through enhanced monitoring and control functions.

Lightweight, reliable and extremely efficient, the Autobahn Series is the definitive choice for roadway lighting renovation and improving sustainability in you infrastructure.

Key Selling Points

- High-performance energy-efficient solution for roadways, off-ramps, residential streets and parking lots
- 40-60% more efficient than comparable HID luminaires
- Sleek attractive dayform with weight and EPA less than comparable cobraheads
- Leading-edge optics improve visibility on roadways
- Tool-less features
- Designed to operate at 40°C ambient
- Best-in-class surge protection and efficacy (LPW)

Municipalities: Energy efficiency and holistic longevity make it the ultimate sustainable solution for renovating legacy streetlights.

Utilities: Lineman-friendly features make it easy to install; its long, reliable operating life reduces the hassle of lighting grid maintenance.



Consistent with LEED® goals & Green Globes® criteria for light pollution reduction

Quick Facts

- 50-100 watt HPS replacement
- ANSI 20kV/10kA Surge Protection
- Weight~8 lbs
- Types 2, 3, 5 Distributions
- 3000K, 4000K & 5000K CCT, 70CRI minimum
- ROAM Compatible

Applications

- Municipal Streets and Public Roadways
- Residential Areas
- Industrial Parks
- Recreation Centers
- Loading Docks
- Rural Residences

Simplified installation and controls

The Autobahn Series provides a variety of user-friendly features that facilitate simple installation and maintenance to save you time and money. Enhancements like a variety of industry-leading surge protection options set the ATB Micro apart from competitive alternatives. State-of-the-art controls from Acuity Brands are easily integrated into the system through the 3-pin or even the optional 7-pin photocontrol receptacle that future-proofs your LED investment against obsolescence.

Features & Options



Internal bubble level facilitates installation



Terminal block can be wired using only a flat blade screwdriver

20kV/10kA "extreme" surge protection



Field-adjustable output module



Thumb-latch for tool-less entry

10kV/5kA "enhanced" surge protection



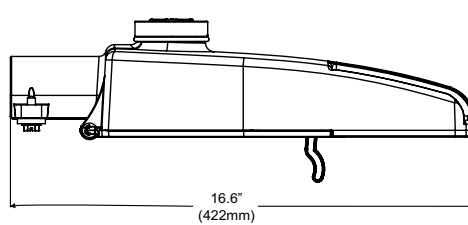
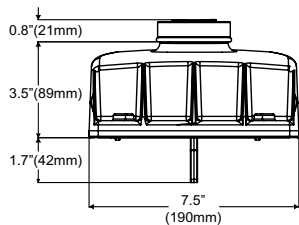
NEMA 3-pin rotatable receptacle



NEMA 7-pin rotatable photocontrol receptacle

The industry's best options in advanced photocontrols

DTL DLL Elite
20-year photocontrol



Effective Projected Area (EPA)
The EPA for the ATB0 is 0.36 sq. ft.
Approx. Wt.=8 lbs. (3.6 kg)



Warranty Five-year limited warranty. Full warranty terms located at www.acuitybrands.com/CustomerResources/Terms_and_conditions.aspx
Visit our web site at www.americanelectrictlighting.com
Product specifications may change without notice. Please contact your sales representative for the latest product information.



Consistent with LEED® goals & Green Globes™ criteria for light pollution reduction

Autobahn Series ATB0

Roadway Lighting

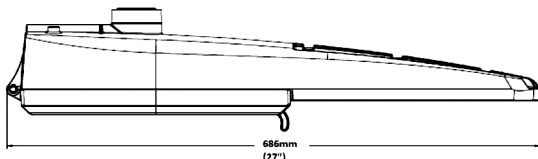
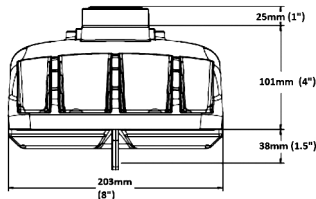
PRODUCT OVERVIEW



Applications:

- Roadways
- Off ramps
- Residential streets
- Parking lots

DIMENSIONS



Effective Projected Area (EPA): The EPA for the ATB0 is 0.76 sq. ft.
Approx. Wt. = 14 lbs.

STANDARDS

DesignLights Consortium® (DLC) qualified product. Not all versions of this product may be DLC qualified. Please check the DLC Qualified Products List at www.designlights.org/QPL to confirm which versions are qualified.

Color temperatures of $\leq 3000\text{K}$ must be specified for International Dark-Sky Association certification.

Rated for -40°C to 40°C ambient

CSA Certified to U.S. and Canadian standards

Complies with ANSI: C136.2, C136.10, C136.14, C136.31, C136.15, C136.37

Features:

OPTICAL

Same Light: Performance is comparable to 70-250W HPS roadway luminaires.

White Light: Correlated color temperature - 4000K, 70 CRI minimum, 3000K, 70 CRI minimum or optional 5000K, 70 CRI minimum.

Unique IP66 rated LED light engines provided 0% uplight and restrict backlight to within sidewalk depth, providing optimal application coverage and optimal pole spacing. Available in Type II, III, IV, and V roadway distributions.

ELECTRICAL

Expected Life: LED light engines are rated $>100,000$ hours at 25°C , L70. Electronic driver has an expected life of 100,000 hours at a 25°C ambient.

Lower Energy: Saves an expected of 40-60% over comparable HID luminaires.

Robust Surge Protection: Three different surge protection options provide a minimum of ANSI C136.2 10kV/5kA protection. 20kV/10kA protection is also available.

MECHANICAL

Includes standard AEL lineman-friendly features such as tool-less entry, 3 station terminal block and quick disconnects. Bubble level located inside the electrical compartment for easily leveling at installation.

Rugged die-cast aluminum housing and door are polyester powder-coated for durability and corrosion resistance. Rigorous five-stage pre-treating and painting process yields a finish that achieves a scribe creepage rating of 7 (per ASTM D1654) after over 5000 hours exposure to salt fog chamber (operated per ASTM B117).

Mast arm mount is adjustable for arms from 1-1/4" to 2" (1-5/8" to 2-3/8" O.D.) diameter. Provides a 3G vibration rating per ANSI C136.31

Wildlife shield is cast into the housing (not a separate piece).

CONTROLS

NEMA 3 pin photocontrol receptacle is standard, with the Acuity designed ANSI standard 7 pin receptacle optionally available.

Premium solid state locking style photocontrol - PCSS (10 year rated life) Extreme long life solid state locking style photocontrol - PCLL (20 year rated life).

Multi-level dimming available to provide scheduled dimming as specified by the customer.

Optional onboard Adjustable Output module allows the light output and input wattage to be modified to meet site specific requirements, and also can allow a single fixture to be flexibly applied in many different applications.

Note: Specifications subject to change without notice. Actual performance may differ as a result of end-user environment and application.

Autobahn Series ATB0

Roadway Lighting

ORDERING INFORMATION

Example: ATB0 30LEDE10 MVOLT R2

Series	Performance Packages	Voltage	Optics
ATB0 Autobahn LED Roadway	10BLEDE70 10B Chips, 700mA Driver 10BLEDE10 10B Chips, 1050mA Driver 10BLEDE15 10B Chips, 1500mA Driver 20BLEDE53 20B Chips, 525mA Driver 20BLEDE70 20B Chips, 700mA Driver 20BLEDE10 20B Chips, 1050mA Driver 20BLEDE13 20B Chips, 1300mA Driver 20BLEDE15 20B Chips, 1500mA Driver 30BLEDE70 30B Chips, 700mA Driver 30BLEDE85 30B Chips, 850mA Driver 30BLEDE10 30B Chips, 1050mA Driver 30BLEDE13 30B Chips, 1300mA Driver 30BLEDE15 30B Chips, 1500mA Driver	MVOLT Multi-volt, 120-277V 347 347V 480 480V	R2 Roadway Type II R3 Roadway Type III R4 Roadway Type IV R5 Roadway Type V

Options			
<u>Color Temperature (CCT)</u> (Blank) 4000K CCT, 70 CRI Min. 3K 3000K CCT, 70 CRI Min. 5K 5000K CCT, 70 CRI Min.	UMS-XX 8" Horizontal Arm for Square Pole, Painted to match Fixture UMR-GALV 8" Horizontal Arm for Round Pole, Galvanized UMS-GALV 8" Horizontal Arm for Square Pole, Galvanized	<u>Accessories (field installed):</u> ATB0 LTS20 Light Trespass Shield for ATB0 LEM 20 ATB0 LTS30 Light Trespass Shield for ATB0 LEM 30	
<u>Paint</u> (Blank) Gray (Standard) BK Black BZ Bronze DDB Dark Bronze GI Graphite WH White	<u>Controls</u> (Blank) 3 Pin NEMA Photocontrol Receptacle (Standard) P7² 7 Pin Photocontrol Receptacle (Dimmable Driver Included) NR No Photocontrol Receptacle AO³ Field Adjustable Output DM 0V-10V Dimmable Driver (Controls by others) ML^{4,5} Multi-Level Dimming PCSS¹ Solid State Lighting Photocontrol (120-277V) PCLL Solid State Long Life Photocontrol SH Shorting Cap	Notes 1 Not available in 347 or 480V. 2 Not available with DM, ML or NR. 3 Not available with DM or ML options. Not available with 10BLED packages. 4 Not available with AO, DM or P7 options. 5 Dimming Schedule and light level information required from the customer in order to configure product. Contact Infrastructure Technical Support to proceed.	
<u>Surge Protection</u> (Blank) Standard 10kV/5kA SPD 20 20kV/10KA SPD MP¹ MOV Pack IL¹ SPD with Indicator Light	<u>Packaging</u> (Blank) Single Unit (Standard) JP Job Pack (42/Pallet)		
<u>Terminal Block</u> (Blank) Terminal Block (Standard) T2 Wired to L1 & L2 Positions			
<u>Misc.</u> BL External Bubble Level HS House-Side Shield NL Nema Label XL Not CSA Certified UMR-XX 8" Horizontal Arm for Round Pole, Painted to match Fixture			



AEL Headquarters, 3825 Columbus Road, Granville, OH 43023
 www.americanelectricalighting.com
 © 2014-2019 Acuity Brands Lighting, Inc. All Rights Reserved. ATB0 02/21/19

Warranty Five-year limited warranty. Complete warranty terms located at: www.acuitybrands.com/resources/terms-and-conditions
 Actual performance may differ as a result of end-user environment and application. All values are design or typical values, measured under laboratory conditions at 25 °C. Specifications subject to change without notice.

Please contact your sales representative for the latest product information.

Autobahn Series ATB0

Roadway Lighting

PERFORMANCE PACKAGE

Performance Package	Drive Current (mA)	Input Watts	Optic	3K (3000K CCT, 70 CRI Min.)					4K/5K (4000K/5000K CCT, 70 CRI Min.)					LLD @ 25°C		
				Lumens	LPW	B	U	G	Lumens	LPW	B	U	G	25k Hours	75k Hours	100k Hours
10B	700	25	R2	2,670	107	1	0	1	2,994	120	1	0	1	0.98	0.97	0.96
	1050	37		4,006	108	1	0	2	4,293	116	1	0	2	0.97	0.95	0.92
	1500	54		5,364	99	1	0	2	5,688	105	1	0	2	0.93	0.90	0.88
	700	25	R3	2,702	108	1	0	1	3,009	120	1	0	1	0.98	0.97	0.96
	1050	37		4,069	110	1	0	1	4,313	117	1	0	1	0.97	0.95	0.92
	1500	54		5,409	100	1	0	1	5,742	106	1	0	1	0.93	0.90	0.88
	700	25	R4	2,686	107	1	0	1	2,992	120	1	0	1	0.98	0.97	0.96
	1050	37		3,934	106	1	0	1	4,232	114	1	0	1	0.97	0.95	0.92
	1500	54		5,383	100	1	0	2	5,653	105	1	0	2	0.93	0.90	0.88
	700	25	R5	2,806	112	2	0	1	3,065	123	2	0	1	0.98	0.97	0.96
	1050	37		4,125	111	3	0	1	4,422	120	3	0	1	0.97	0.95	0.92
	1500	54		5,551	103	3	0	1	5,844	108	3	0	1	0.93	0.90	0.88
20B	525	36	R2	4,328	120	1	0	2	4,638	129	1	0	2	0.98	0.97	0.96
	700	48		5,652	118	1	0	2	5,956	124	1	0	2	0.98	0.96	0.95
	1050	71		7,948	112	2	0	2	8,506	120	2	0	2	0.97	0.95	0.92
	1300	87		9,157	105	2	0	3	9,922	114	2	0	3	0.93	0.90	0.88
	1500	99		10,288	104	2	0	3	11,038	111	2	0	3	0.93	0.90	0.88
	525	36		R3	4,436	123	1	0	1	4,704	131	1	0	1	0.98	0.97
	700	48	5,705		119	1	0	1	6,114	127	1	0	2	0.98	0.96	0.95
	1050	71	8,080		114	2	0	2	8,606	121	2	0	2	0.97	0.95	0.92
	1300	87	9,442		109	2	0	2	10,065	116	2	0	2	0.93	0.90	0.88
	1500	99	10,503		106	2	0	2	11,181	113	2	0	2	0.93	0.90	0.88
	525	36	R4		4,459	124	1	0	2	4,676	130	1	0	2	0.98	0.97
	700	48		5,766	120	1	0	2	6,022	125	1	0	2	0.98	0.96	0.95
	1050	71		8,101	114	2	0	2	8,569	121	2	0	2	0.97	0.95	0.92
	1300	87		9,321	107	2	0	2	10,053	116	2	0	2	0.93	0.90	0.88
	1500	99		10,426	105	2	0	2	11,160	113	2	0	3	0.93	0.90	0.88
	525	36		R5	4,540	126	3	0	1	4,869	135	3	0	1	0.98	0.97
	700	48	5,832		122	3	0	1	6,287	131	3	0	1	0.98	0.96	0.95
	1050	71	8,241		116	3	0	2	8,880	125	3	0	2	0.97	0.95	0.92
	1300	87	9,597		110	3	0	2	10,397	120	4	0	2	0.93	0.90	0.88
	1500	99	10,647		108	4	0	2	11,593	117	4	0	2	0.93	0.90	0.88
	700	70	R2		8,406	120	2	0	2	9,174	131	2	0	3	0.98	0.97
	850	83		9,897	119	2	0	3	10,457	126	2	0	3	0.97	0.95	0.92
	1050	105		11,806	112	2	0	3	12,414	118	2	0	3	0.97	0.95	0.92
	1300	126		13,675	109	3	0	3	14,964	119	3	0	3	0.93	0.90	0.88
1500	145	15,090		104	3	0	3	16,251	112	3	0	3	0.93	0.90	0.88	
700	70	R3		8,539	122	2	0	2	8,893	127	2	0	2	0.98	0.97	0.96
850	83		10,056	121	2	0	2	10,825	130	2	0	2	0.97	0.95	0.92	
1050	105		11,936	114	2	0	2	12,748	121	2	0	2	0.97	0.95	0.92	
1300	126		13,893	110	3	0	3	14,850	118	3	0	3	0.93	0.90	0.88	
1500	145		15,381	106	3	0	3	16,193	112	3	0	3	0.93	0.90	0.88	
700	70		R4	8,335	119	2	0	2	8,971	128	2	0	2	0.98	0.97	0.96
850	83	9,877		119	2	0	2	10,589	128	2	0	2	0.97	0.95	0.92	
1050	105	11,943		114	2	0	3	12,782	122	2	0	3	0.97	0.95	0.92	
1300	126	13,681		109	2	0	3	14,889	118	3	0	3	0.93	0.90	0.88	
1500	145	14,952		103	3	0	3	16,463	114	3	0	3	0.93	0.90	0.88	
700	70	R5		8,893	127	3	0	2	9,329	133	3	0	2	0.98	0.97	0.96
850	83		10,469	126	4	0	2	11,209	135	4	0	2	0.97	0.95	0.92	
1050	105		12,382	118	4	0	2	13,296	127	4	0	2	0.97	0.95	0.92	
1300	126		14,453	115	4	0	2	15,254	121	4	0	2	0.93	0.90	0.88	
1500	145		15,853	109	4	0	2	16,871	116	4	0	2	0.93	0.90	0.88	

Note: Individual fixture performance may vary.

ATB0 LLD Multiplier	15°C	20°C	25°C	30°C	35°C	40°C
	1.02	1.01	1	0.98	0.97	0.95

To calculate the LLD for a temperature other than 25°C, multiply the LLD @ 25°C (shown in the performance package table) by the LLD multiplier for the selected temperature.



AEL Headquarters, 3825 Columbus Road, Granville, OH 43023
www.americanelectricalighting.com
© 2014-2019 Acuity Brands Lighting, Inc. All Rights Reserved. ATB0 02/21/19

Warranty Five-year limited warranty. Complete warranty terms located at: www.acuitybrands.com/resources/terms-and-conditions
Actual performance may differ as a result of end-user environment and application. All values are design or typical values, measured under laboratory conditions at 25°C. Specifications subject to change without notice.

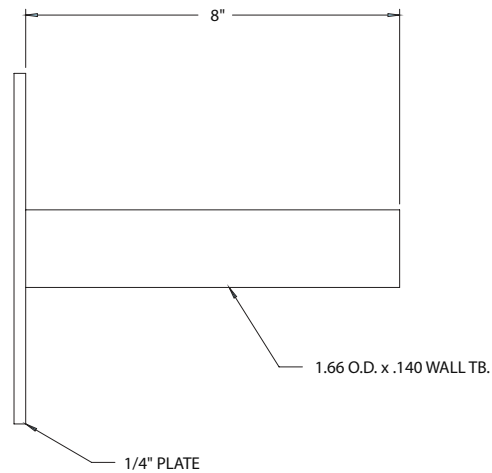
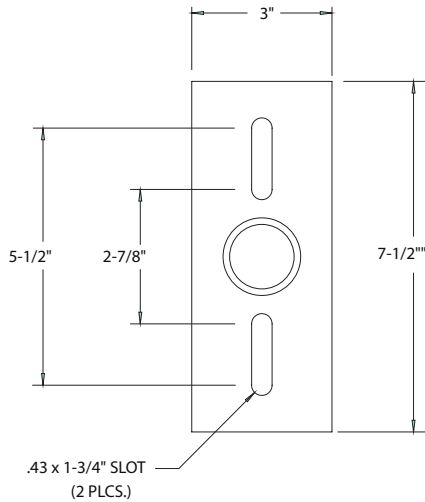
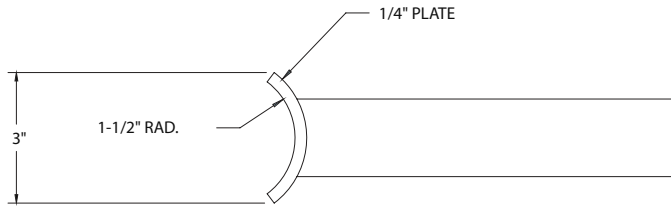
Please contact your sales representative for the latest product information.

Autobahn Series ATB0

Roadway Lighting

UMR POLE ADAPTOR

RECOMMENDED FOR USE WITH POLES OF 4" DIAMETER OR SMALLER



UMS POLE ADAPTOR



AEL Headquarters, 3825 Columbus Road, Granville, OH 43023
www.americanelectriclighting.com

© 2014-2019 Acuity Brands Lighting, Inc. All Rights Reserved. ATB0 02/21/19

Warranty Five-year limited warranty. Complete warranty terms located at:
www.acuitybrands.com/resources/terms-and-conditions

Actual performance may differ as a result of end-user environment and application. All values are design or typical values, measured under laboratory conditions at 25 °C. Specifications subject to change without notice.

Please contact your sales representative for the latest product information.

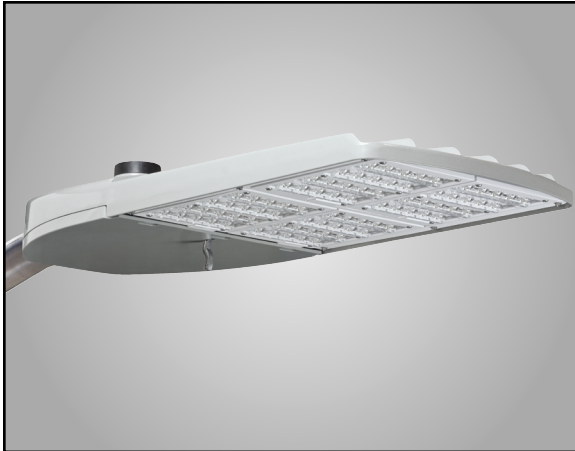


Consistent with LEED® goals & Green Globes™ criteria for light pollution reduction

Autobahn Series ATB2

Roadway Lighting

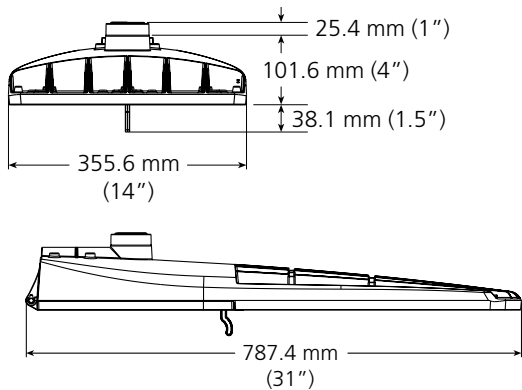
PRODUCT OVERVIEW



Applications:

- Roadways
- Off ramps
- Residential streets
- Parking lots

DIMENSIONS



Effective Projected Area (EPA)
The EPA for the ATB2 is 0.78 sq. ft.,
Approx. Wt. = 21 lbs. (9.53 kg)

STANDARDS

DesignLights Consortium® (DLC) qualified product. Not all versions of this product may be DLC qualified. Please check the DLC Qualified Products List at www.designlights.org/QPL to confirm which versions are qualified.

Color temperatures of $\leq 3000\text{K}$ must be specified for International Dark-Sky Association certification.

Rated for -40°C to 40°C ambient.

CSA Certified to U.S. and Canadian standards

Complies with ANSI: C136.2, C136.10, C136.14, C136.31, C136.15, C136.37

Note: Specifications subject to change without notice.

Autobahn Series – AEL_0109_ATB2

Features:

OPTICAL

Same Light: Performance is comparable to 250-400W HPS roadway luminaires.

White Light: Correlated color temperature - 4000K, 70 CRI minimum, 3000K, 70CRI minimum or optional 5000K, 70 CRI minimum.

Unique IP66 rated LED light engines provided 0% uplight and restrict backlight to within sidewalk depth, providing optimal application coverage and optimal pole spacing.

Available in Type II, III, IV, & V roadway distributions.

ELECTRICAL

Expected Life: LED light engines are rated $>100,000$ hours at 25°C , L70. Electronic driver has an expected life of 100,000 hours at a 25°C ambient.

Lower Energy: Saves an average of 40-60% over comparable HPS platforms.

Robust Surge Protection: Three different surge protection options provide a minimum of ANSI C136.2 10kV/5kA protection. 20kV/10kA protection is also available.

MECHANICAL

Easy to Maintain: Includes standard AEL lineman-friendly features such as tool-less entry, 3 station terminal block and quick disconnects. Bubble level located inside the electrical compartment for easy leveling at installation.

Rugged die-cast aluminum housing is polyester powder-coated for durability and corrosion resistance. Rigorous five-stage pre-treating and painting process yields a finish that achieves a scribe creepage rating of 7 (per ASTM D1654) after over 5000 hours exposure to salt fog chamber (operated per ASTM B117).

Four-bolt mast arm mount is adjustable for arms from 1-1/4" to 2" (1-5/8" to 2-3/8" O.D.) diameter and provides a 3G vibration rating per ANSI C136.

Wildlife shield is cast into the housing (not a separate piece).

CONTROLS

NEMA 3 Pin photocontrol receptacle is standard, with the Acuity designed ANSI 7 Pin receptacle optionally available.

Premium solid state locking sale photocontrol - PCSS (10 year rated life). Extreme long life sold state locking style photocontrol - PCLL (20 year rated life).

Mult-level dimming available to provide scheduled dimming as specified by the customer.

Optional onboard Adjustable Output module allows the light output and input wattage to be modified to meet site specific requirements, and can also allow a single fixture to be flexibly applied in many different applications.

Autobahn Series ATB2

Roadway Lighting

ORDERING INFORMATION

Example: ATB2 40LEDE70 MVOLT R2

Series	Performance Packages	Voltage	Optics
ATB2 Autobahn LED Roadway	40BLEDE70 40B Chips, 700mA Driver 40BLEDE10 40B Chips, 1050mA Driver 40BLEDE13 40B Chips, 1300mA Driver 40BLEDE15 40B Chips, 1500mA Driver 60BLEDE70 60B Chips, 700mA Driver 60BLEDE85 60B Chips, 850mA Driver 60BLEDE10 60B Chips, 1050mA Driver 60BLEDE13 60B Chips, 1300mA Driver 60BLEDE15 60B Chips, 1500mA Driver 80BLEDE70 80B Chips, 700mA Driver 80BLEDE85 80B Chips, 850mA Driver 80BLEDE10 80B Chips, 1050mA Driver 80BLEDE12 80B Chips, 1200mA Driver 80BLEDE15 80B Chips, 1500mA Driver	MVOLT Multi-volt, 120-277V 347 347V 480 480V	R2 Roadway Type II R3 Roadway Type III R4 Roadway Type IV R5 Roadway Type V

Options			
<u>Color Temperature (CCT)</u> (Blank) 4000K CCT, 70 CRI Min. 3K 3000K CCT, 70 CRI Min. 5K 5000K CCT, 70 CRI Min.	<u>Misc. (continued)</u> UMR-XX 8" Horizontal Arm for Round Pole, Painted to match Fixture UMS-XX 8" Horizontal Arm for Square Pole, Painted to match Fixture UMR-GALV 8" Horizontal Arm for Round Pole, Galvanized UMS-GALV 8" Horizontal Arm for Square Pole, Galvanized	<u>Accessories (field installed):</u> ATB2HS40 Light Trespass Shield LEM 40 House Side ATB2SS40 Light Trespass Shield LEM 40 Street Side ATB2HS60 Light Trespass Shield LEM 60 House Side ATB2SS60 Light Trespass Shield LEM 60 Street Side ATB2HS80 Light Trespass Shield LEM 80 House Side ATB2SS80 Light Trespass Shield LEM 80 Street Side	
<u>Paint</u> (Blank) Gray (Standard) BK Black BZ Bronze DDB Dark Bronze GI Graphite WH White	<u>Controls</u> (Blank) 3 Pin NEMA Photocontrol Receptacle (Standard) P7² 7 Pin Photocontrol Receptacle (Dimmable Driver Included) NR No Photocontrol Receptacle AO² Field Adjustable Output DM 0V-10V Dimmable Driver (Controls by others) ML^{3,4} Multi-Level Dimming PCSS¹ Solid State Lighting Photocontrol (120-277V) PCLL Solid State Long Life Photocontrol SH Shorting Cap		
<u>Surge Protection</u> (Blank) Standard 10kV/5kA SPD 20 20kV/10KA SPD MP¹ MOV Pack IL¹ SPD with Indicator Light	<u>Packaging</u> (Blank) Single Unit (Standard) JP Job Pack (24/Pallet)		
<u>Terminal Block</u> (Blank) Terminal Block (Standard) T2 Wired to L1 & L2 Positions		Notes 1. Not available in 347 or 480V. 2. Not available with DM or ML options. 3. Not available with AO, DM or P7 options. 4. Dimming schedule and light level information required from the customer in order to configure product. Contact Infrastructure Technical Support to proceed.	
<u>Misc.</u> BL External Bubble Level HS House-Side Shield NL Nema Label XL Not CSA Certified HK Hingekeepers			



AEL Headquarters, 3825 Columbus Road, Granville, OH 43023
 www.americanelectricalighting.com

© 2014-2019 Acuity Brands Lighting, Inc. All Rights Reserved. ATB2 02/21/19

Warranty Five-year limited warranty. Complete warranty terms located at:
www.acuitybrands.com/resources/terms-and-conditions

Actual performance may differ as a result of end-user environment and application. All values are design or typical values, measured under laboratory conditions at 25 °C. Specifications subject to change without notice.

Please contact your sales representative for the latest product information.

Autobahn Series ATB2

Roadway Lighting

PERFORMANCE PACKAGE

Performance Package	Drive Current (mA)	Input Watts	Optic	3K (3000K CCT, 70 CRI Min.)					4K/5K (4000K/5000K CCT, 70 CRI Min.)					LLD @ 25°C			
				Lumens	LPW	B	U	G	Lumens	LPW	B	U	G	25k Hours	75k Hours	100k Hours	
				40B	700	88	R2	10,854	123	2	0	3	11,607	132	3	0	3
	1050	133	15,565	117	3	0		3	16,360	123	3	0	3	0.97	0.95	0.92	
	1300	171	R2	18,361	107	3	0	3	19,544	114	3	0	4	0.93	0.90	0.88	
	1500	198		20,124	102	3	0	4	21,384	108	2	0	2	0.93	0.90	0.88	
	700	88	R3	10,980	125	2	0	2	11,552	131	3	0	3	0.98	0.97	0.96	
	1050	133		15,607	117	3	0	3	16,249	122	3	0	3	0.97	0.95	0.92	
	1300	171	R3	18,428	108	3	0	3	19,462	114	3	0	3	0.93	0.90	0.88	
	1500	198		20,240	102	3	0	3	21,331	108	2	0	3	0.93	0.90	0.88	
	700	88	R4	10,905	124	2	0	2	11,768	134	3	0	3	0.98	0.97	0.96	
	1050	133		15,627	117	3	0	3	16,593	125	3	0	4	0.97	0.95	0.92	
	1300	171	R4	18,405	108	3	0	4	19,877	116	3	0	4	0.93	0.90	0.88	
	1500	198		20,167	102	3	0	4	21,799	110	4	0	2	0.93	0.90	0.88	
	700	88	R5	11,386	129	4	0	2	12,388	141	4	0	2	0.98	0.97	0.96	
	1050	133		16,355	123	4	0	2	17,499	132	5	0	3	0.97	0.95	0.92	
	1300	171	R5	19,319	113	4	0	2	20,795	122	5	0	3	0.93	0.90	0.88	
	1500	198		21,221	107	5	0	3	22,828	115	3	0	3	0.93	0.90	0.88	
60B	700	130	R2	16,471	127	3	0	3	18,193	140	3	0	4	0.98	0.97	0.96	
	850	165		19,503	118	3	0	3	21,436	130	3	0	4	0.97	0.95	0.92	
	1050	204		23,034	113	3	0	4	24,940	122	3	0	4	0.97	0.95	0.92	
	1300	254		27,088	107	3	0	4	29,357	116	3	0	5	0.93	0.90	0.88	
	1500	291	29,819	102	3	0	4	32,052	110	3	0	3	0.93	0.90	0.88		
	700	130	R3	16,702	128	3	0	3	17,714	136	3	0	3	0.98	0.97	0.96	
	850	165		19,809	120	3	0	3	21,351	129	3	0	4	0.97	0.95	0.92	
	1050	204		23,400	115	3	0	3	25,520	125	3	0	4	0.97	0.95	0.92	
	1300	254		27,541	108	3	0	4	29,991	118	3	0	4	0.93	0.90	0.88	
	1500	291	30,230	104	3	0	4	32,709	112	3	0	3	0.93	0.90	0.88		
	700	130	R4	16,725	129	3	0	3	17,984	138	3	0	4	0.98	0.97	0.96	
	850	165		19,831	120	3	0	4	21,446	130	3	0	4	0.97	0.95	0.92	
	1050	204		23,421	115	3	0	4	25,423	125	3	0	5	0.97	0.95	0.92	
	1300	254		27,542	108	3	0	4	29,898	118	3	0	5	0.93	0.90	0.88	
	1500	291	30,221	104	3	0	5	32,527	112	4	0	2	0.93	0.90	0.88		
	700	130	R5	17,413	134	4	0	2	18,561	143	5	0	3	0.98	0.97	0.96	
	850	165		20,634	125	5	0	3	22,402	136	5	0	3	0.97	0.95	0.92	
	1050	204		24,359	119	5	0	3	26,128	128	5	0	4	0.97	0.95	0.92	
	1300	254		28,578	113	5	0	3	30,964	122	5	0	4	0.93	0.90	0.88	
	1500	291	31,214	107	5	0	4	33,922	117	3	0	4	0.93	0.90	0.88		
	80B	700	177	R2	22,056	125	3	0	4	23,037	130	3	0	4	0.98	0.97	0.96
		850	214		25,663	120	3	0	4	27,086	127	3	0	5	0.97	0.95	0.92
		1050	268		30,443	114	3	0	5	31,920	119	4	0	5	0.97	0.95	0.92
		1250	330		34,512	105	4	0	5	36,826	112	4	0	5	0.93	0.90	0.88
1500		388	39,529	102	4	0	5	40,326	104	3	0	3	0.91	0.87	0.84		
700		177	R3	21,936	124	3	0	3	23,934	135	3	0	4	0.98	0.97	0.96	
850		214		25,512	119	3	0	4	26,879	126	3	0	4	0.97	0.95	0.92	
1050		268		30,302	113	3	0	4	32,416	121	4	0	4	0.97	0.95	0.92	
1200		330		35,047	106	4	0	4	37,042	112	4	0	5	0.93	0.90	0.88	
1500		388	39,490	102	4	0	5	41,858	108	3	0	4	0.91	0.87	0.84		
700		177	R4	22,180	125	3	0	4	23,230	131	3	0	4	0.98	0.97	0.96	
850		214		25,842	121	3	0	4	27,263	127	3	0	5	0.97	0.95	0.92	
1050		268		30,644	114	3	0	5	32,329	121	4	0	5	0.97	0.95	0.92	
1250		330		35,084	106	3	0	5	37,293	113	4	0	5	0.93	0.90	0.88	
1500		388	39,816	103	4	0	5	41,611	107	5	0	3	0.91	0.87	0.84		
700		177	R5	22,895	129	5	0	3	24,776	140	5	0	3	0.98	0.97	0.96	
850		214		26,608	124	5	0	3	28,865	135	5	0	4	0.97	0.95	0.92	
1050		268		31,557	118	5	0	4	34,319	128	5	0	4	0.97	0.95	0.92	
1250		330		36,635	111	5	0	4	39,552	120	5	0	4	0.93	0.90	0.88	
1500		388	41,534	107	5	0	4	44,747	115	5	0	4	0.91	0.87	0.84		

Note: Individual fixture performance may vary. Specifications subject to change without notice.

ATB2 LLD Multiplier	15°C	20°C	25°C	30°C	35°C	40°C
	1.02	1.01	1	0.99	0.97	0.96

To calculate the LLD for a temperature other than 25°C, multiply the LLD @ 25°C (shown in the performance package table) by the LLD multiplier for the selected temperature.



AEL Headquarters, 3825 Columbus Road, Granville, OH 43023
 www.americanelectricalighting.com
 © 2014-2019 Acuity Brands Lighting, Inc. All Rights Reserved. ATB2 02/21/19

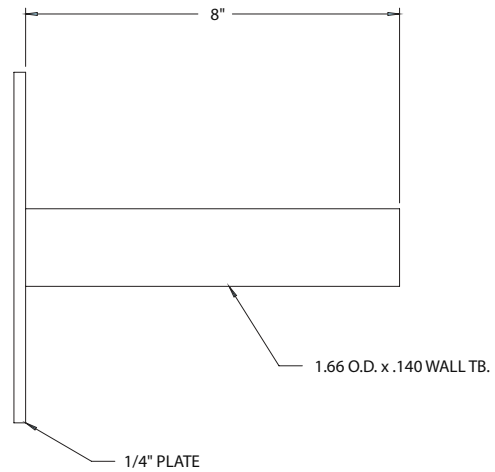
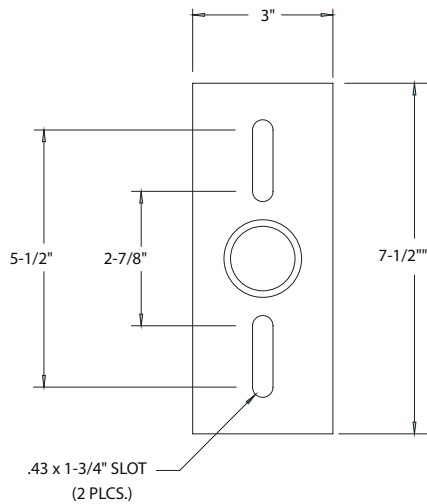
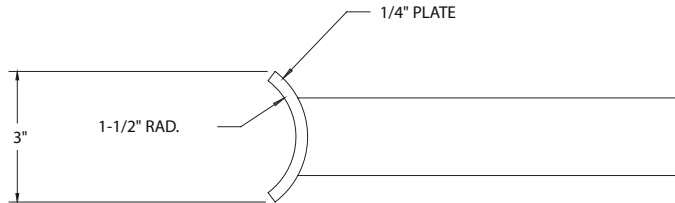
Warranty Five-year limited warranty. Complete warranty terms located at: www.acuitybrands.com/resources/terms-and-conditions
 Actual performance may differ as a result of end-user environment and application. All values are design or typical values, measured under laboratory conditions at 25 °C. Specifications subject to change without notice.

Please contact your sales representative for the latest product information.

Autobahn Series ATB2 Roadway Lighting

UMR POLE ADAPTOR

RECOMMENDED FOR USE WITH POLES OF 4" DIAMETER OR SMALLER



UMS POLE ADAPTOR



AEL Headquarters, 3825 Columbus Road, Granville, OH 43023
www.americanelectriclighting.com

© 2014-2019 Acuity Brands Lighting, Inc. All Rights Reserved. ATB2 02/21/19

Warranty Five-year limited warranty. Complete warranty terms located at: www.acuitybrands.com/resources/terms-and-conditions
Actual performance may differ as a result of end-user environment and application. All values are design or typical values, measured under laboratory conditions at 25 °C. Specifications subject to change without notice.

Please contact your sales representative for the latest product information.



Consistent with LEED® goals & Green Globes™ criteria for light pollution reduction

Autobahn Series ATBL Roadway

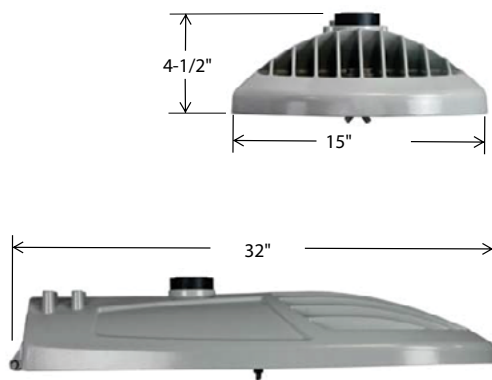
PRODUCT OVERVIEW



Applications:

- Residential streets
- Parking lots
- High speed roadways

DIMENSIONS



Effective Projected Area (EPA)
The EPA for the ATBL is 0.75 sq. ft.,
Approx. Wt. = 30 lbs. (13.6 kg)

STANDARDS

DesignLights Consortium® (DLC) qualified product. Not all versions of this product may be DLC qualified. Please check the DLC Qualified Products List at www.designlights.org/QPL to confirm which versions are qualified.

Color temperatures of $\leq 3000\text{K}$ must be specified for International Dark-Sky Association certification.

Rated for -40°C to 40°C ambient

CSA Certified to U.S. and Canadian standards

Complies with ANSI: C136.2, C136.10, C136.14, C136.31, C136.15, C136.37

Features:

OPTICAL

Same Light: Performance is comparable to 250W – 400W HPS.

White Light: Correlated color temperature - 4000K, 70 CRI minimum, 3000K, 70 CRI minimum or optional 5000K, 70 CRI minimum.

IP66 rated borosilicate glass optics ensure longevity and minimize dirt depreciation. Unique IP66 rated LED light engines provide 0% uplight and restrict backlight to within sidewalk depth, providing optimal application coverage and optimal pole spacing.

Available distributions are Type II, IIN, III, IV, V roadway distributions.

ELECTRICAL

Expected Life: LED light engines are rated $> 100,000$ hours at 25°C , L70. Electronic driver has an expected life of 100,000 hours at a 25°C ambient.

Lower Energy: Saves an expected 40-60% over comparable HID luminaires.

Robust Surge Protection: Three different surge protection options provide a minimum of ANSI C136.2 10kV/5kA protection. 20kV/10kA protection is also available.

MECHANICAL

Includes standard AEL lineman-friendly features such as tool-less entry, 3 station terminal block and quick disconnects. Bubble level located inside the electrical compartment for easy leveling at installation.

Rugged die-cast aluminum housing and door are polyester powder-coated for durability and corrosion resistance. Rigorous five-stage pre-treating and painting process yields a finish that achieves a scribe creepage rating of 8 (per ASTM D1654) after over 5000 hours exposure to salt fog chamber (operated per ASTM B117).

Mast arm mount is adjustable for arms from 1-1/4" to 2" (1-5/8" to 2-3/8" O.D.) diameter. The 2 – bolt and optional 4 bolt clamping mechanism provide 3G vibration rating per ANSI C136.

The Wildlife shield is cast into the housing (not a separate piece).

CONTROLS

NEMA 3 pin photocontrol receptacle is standard, with the Acuity designed ANSI standard 5 pin and 7 pin receptacles optionally available.

Premium solid state locking-style photocontrol – PCSS (10 year rated life) Extreme long life solid state locking-style photocontrol – PCLL (20 year rated life).

Extreme long life solid state locking-style photocontrol with on demand remote on/off control - PCCC (15 year rated life).

Optional onboard Adjustable Output module allows the light output and input wattage to be modified to meet site specific requirements, and also can allow a single fixture to be flexibly applied in many different applications.

Note: Specifications subject to change without notice. Actual performance may differ as a result of end-user environment and application.

Autobahn Series ATBL Roadway

ORDERING INFORMATION

Example: ATBL A MVOLT R2

Series	Performance Packages	Voltage	Optics	Mounting
ATBL Autobahn LED Roadway	A 19,000 lumens B 21,000 lumens C 22,000 lumens D 25,000 lumens E 27,000 lumens F 29,000 lumens G 30,000 lumens	MVOLT Multi-volt, 120-277V 347 347V 480 480V	N2 Roadway Type II, Narrow R2 Roadway Type II R3 Roadway Type III R4 Roadway Type IV R5 Roadway Type V	(Blank) 2 Bolt Mounting 4B 4 Bolt Mounting
Options				

Color Temperature (CCT)

(Blank)	4000K CCT, 70 CRI Min.
3K	3000K CCT, 70 CRI Min.
5K	5000K CCT, 70 CRI Min.

Paint

(Blank)	Gray
BK	Black
BZ	Bronze
DDB	Dark Bronze
GI	Graphite
WH	White

Surge Protection

(Blank)	Standard 10kA/5kV SPD
20	20kV/10kA SPD
MP	MOV Pack - 10kA/5kV SPD
IL	SPD with Indicator Light 10kA/5kV SPD ¹

Miscellaneous Options

HSS	House Side Shield
NL	NEMA Label Indicating Wattage
PT	Power Tray
XL	Not CSA Certified – No Terminal Block Cover

Control Options

(Blank)	3 Pin NEMA Photocontrol Receptacle
P5	5 Pin Photocontrol Receptacle (dimmable driver included) ¹
P7	7 Pin Photocontrol Receptacle (dimmable driver included) ¹
NR	No Photocontrol Receptacle ²
AO	Field Adjustable Output ¹
DM	0-10V Dimmable Driver ³
PCSS	Solid-State Lighting Photocontrol ⁴
PCLL	Solid-State Long Life Photocontrol
PCCC	Solid-State Long Life Photocontrol with remote control on/off
SH	Shorting Cap ⁵

Packages

(Blank)	Standard Pack
JP	Job Pack (24 per pallet)

Notes:

1. Dimmable Driver included. Not available with DM.
2. Not available with P5 or P7.
3. Controls by Others. Not available with AO.
4. MVOLT only.
5. Not available with PCSS or PCLL.

For Accessories see next page.



AEL Headquarters, 3825 Columbus Road, Granville, OH 43023
www.americanelectriclighting.com

© 2015-2019 Acuity Brands Lighting, Inc. All Rights Reserved. ATBL 01/18/19

Warranty Five-year limited warranty. Complete warranty terms located at: www.acuitybrands.com/CustomResources/Terms_and_conditions.aspx
Actual performance may differ as a result of end-user environment and application. All values are design or typical values, measured under laboratory conditions at 25 °C. Specifications subject to change without notice.

Please contact your sales representative for the latest product information.

Autobahn Series ATBL Roadway

ORDERING INFORMATION

Accessories (order separately)

ATBLHSS	House Side Shield
ATBL LTS	Light Trespass Shield
RKATBLMVOLTSPD	ATBL Acuity SPD Replacement Kit MVOLT
RKATBLHVSPD	ATBL Acuity SPD Replacement Kit 347/480V
RKATBLMVOLT20	ATBL 20kV SPD Replacement Kit MVOLT
RKATBLHV20	ATBL 20kV SPD Replacement Kit 347/480V
RKATBLMVOLTMP	ATBL MOV Pack Replacement Kit MVOLT
RKATBLHVMP	ATBL MOV Pack Replacement Kit 347/480V
RKATBLMVOLTIL	ATBL IL SPD Replacement Kit
RKATBLUV-AC-20KV	ATBL (A,C) STD SPD / 20kV Replacement Power Tray MVOLT
RKATBLUV-B-20KV	ATBL (B) STD SPD / 20kV Replacement Power Tray MVOLT
RKATBLUV-D	ATBL (D) STD SPD Replacement Power Tray MVOLT
RKATBLUV-E	ATBL (E) STD SPD Replacement Power Tray MVOLT
RKATBLUV-F	ATBL (F) STD SPD Replacement Power Tray MVOLT
RKATBLUV-G	ATBL (G) STD SPD Replacement Power Tray MVOLT
RKATBLUV-D-20KV	ATBL (D) 20kV SPD Replacement Power Tray MVOLT
RKATBLUV-E-20KV	ATBL (E) 20kV SPD Replacement Power Tray MVOLT
RKATBLUV-F-20KV	ATBL (F) 20kV SPD Replacement Power Tray MVOLT
RKATBLUV-G-20KV	ATBL (G) 20kV SPD Replacement Power Tray MVOLT
RKATBLHV-AC-20KV	ATBL (A,C) STD SPD / 20kV Replacement Power Tray 347/480V
RKATBLHV-B-20KV	ATBL (B) STD SPD / 20kV Replacement Power Tray 347/480V
RKATBLHV-D-20KV	ATBL (D) STD SPD / 20kV Replacement Power Tray 347/480V
RKATBLHV-E-20KV	ATBL (E) STD SPD / 20kV Replacement Power Tray 347/480V
RKATBLHV-F-20KV	ATBL (F) STD SPD / 20kV Replacement Power Tray 347/480V
RKATBLHV-G-20KV	ATBL (G) STD SPD / 20kV Replacement Power Tray 347/480V



AEL Headquarters, 3825 Columbus Road, Granville, OH 43023
www.americanelectriclighting.com

© 2015-2019 Acuity Brands Lighting, Inc. All Rights Reserved. ATBL 01/18/19

Warranty Five-year limited warranty. Complete warranty terms located at:
www.acuitybrands.com/CustomResources/Terms_and_conditions.aspx
Actual performance may differ as a result of end-user environment and application.
All values are design or typical values, measured under laboratory conditions at 25 °C.
Specifications subject to change without notice.

Please contact your sales representative for the latest product information.

Autobahn Series ATBL Roadway

P E R F O R M A N C E P A C K A G E

Performance Package	Distribution	Input Watts	3K (3000K CCT, 70 CRI)					4K/5K (4000K/5000K CCT, 70 CRI)					LLD @ 25°C		
			Lumens	LPW	B	U	G	Lumens	LPW	B	U	G	25k Hours	75k Hours	100k Hours
A	N2	170	16,911	99	3	0	3	19,456	114	3	0	3	0.96	0.94	0.92
	R2		16,373	96	3	0	3	18,960	112	3	0	4			
	R3		16,223	95	2	0	4	18,660	110	3	0	4			
	R4		15,755	93	3	0	4	17,926	105	3	0	4			
	R5		17,257	102	4	0	2	20,067	118	4	0	2			
B	N2	181	18,393	102	3	0	3	21,325	118	3	0	3	0.96	0.94	0.92
	R2		17,928	99	3	0	4	20,770	115	3	0	4			
	R3		17,731	98	3	0	4	20,512	113	3	0	4			
	R4		17,114	95	3	0	5	19,900	110	3	0	5			
	R5		18,948	105	4	0	2	22,033	122	5	0	3			
C	N2	200	19,670	98	3	0	3	22,882	114	3	0	3	0.96	0.94	0.92
	R2		19,216	96	3	0	4	22,288	111	3	0	4			
	R3		19,056	95	3	0	4	22,030	110	3	0	4			
	R4		18,326	108	3	0	5	21,308	125	3	0	5			
	R5		20,320	102	4	0	2	23,628	118	5	0	3			
D	N2	209	21,972	105	3	0	3	25,508	122	3	0	4	0.96	0.94	0.92
	R2		21,502	103	3	0	4	25,052	120	3	0	4			
	R3		21,199	101	3	0	5	24,067	115	3	0	5			
	R4		20,419	113	3	0	5	23,824	132	3	0	5			
	R5		22,868	109	5	0	3	26,591	127	5	0	3			
E	N2	238	24,015	101	3	0	3	28,023	118	3	0	4	0.96	0.94	0.92
	R2		23,496	99	3	0	4	27,526	116	3	0	4			
	R3		23,125	97	3	0	5	26,433	111	3	0	5			
	R4		22,548	133	3	0	5	26,219	154	3	0	5			
	R5		25,139	106	5	0	3	29,231	123	5	0	3			
F	N2	259	25,409	98	3	0	4	29,814	115	3	0	4	0.96	0.94	0.92
	R2		24,831	96	3	0	4	29,274	113	3	0	5			
	R3		24,516	95	3	0	5	28,089	108	3	0	5			
	R4		23,970	132	3	0	5	27,873	154	3	0	5			
	R5		26,735	103	5	0	3	31,087	120	5	0	3			
G	N2	279	26,457	95	3	0	4	31,340	112	3	0	4	0.95	0.93	0.92
	R2		26,007	93	3	0	4	30,590	110	3	0	5			
	R3		25,344	91	3	0	5	29,403	105	3	0	5			
	R4		24,680	145	3	0	5	29,207	172	3	0	5			
	R5		28,094	101	5	0	3	32,667	117	5	0	3			

Note: Individual fixture performance may vary. Specifications subject to change without notice.



AEL Headquarters, 3825 Columbus Road, Granville, OH 43023
www.americanelectriclighting.com

© 2015-2019 Acuity Brands Lighting, Inc. All Rights Reserved. ATBL 01/18/19

Warranty Five-year limited warranty. Complete warranty terms located at:
www.acuitybrands.com/CustomResources/Terms_and_conditions.aspx
Actual performance may differ as a result of end-user environment and application.
All values are design or typical values, measured under laboratory conditions at 25 °C.
Specifications subject to change without notice.

Please contact your sales representative for the latest product information.



Consistent with LEED® goals
& Green Globes™ criteria
for light pollution reduction

Autobahn Series ATBM Roadway

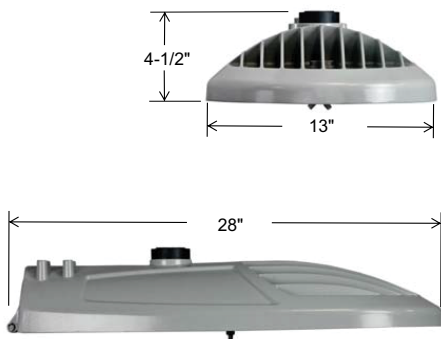
PRODUCT OVERVIEW



Applications:

- Residential streets
- Parking lots
- High speed roadways

DIMENSIONS



Effective Projected Area (EPA)
The EPA for the ATBM is 0.3 sq. ft.,
Approx. Wt. = 21 lbs. (9.5 kg)

STANDARDS

Color temperatures of $\leq 3000\text{K}$ must be specified for International Dark-Sky Association certification.

Rated for -40°C to 40°C ambient

CSA Certified to U.S. and Canadian standards

Complies with ANSI: C136.2, C136.10, C136.14, C136.31, C136.15, C136.37

Features:

OPTICAL

Same Light: Performance is comparable to 150W – 250W HPS

White Light: Correlated color temperature - 4000K, 70 CRI minimum, 3000K, 70 CRI minimum or optional 5000K, 70 CRI minimum.

IP66 rated borosilicate glass optics ensure longevity and minimize dirt depreciation. Unique IP66 rated LED light engines provide 0% uplight and restrict backlight to within sidewalk depth, providing optimal application coverage and optimal pole spacing.

Available distributions are Type II, III, IV, & V roadway distributions.

ELECTRICAL

Expected Life: LED light engines are rated $>100,000$ hours at 25°C , L70. Electronic driver has an expected life of 100,000 hours at a 25°C ambient.

Lower Energy: Saves an expected 40-60% over comparable HID luminaires.

Robust Surge Protection: Surge protection options provide a minimum of ANSI C136.2 10kV/5kA protection. Optional 20kV/10kA protection available.

MECHANICAL

Includes standard AEL lineman-friendly features such as tool-less entry, 3 station terminal block and quick disconnects. Bubble level located inside the electrical compartment for easy leveling at installation.

Rugged die-cast aluminum housing and door are polyester powder-coated for durability and corrosion resistance. Rigorous five-stage pre-treating and painting process yields a finish that achieves a scribe creepage rating of 8 (per ASTM D1654) after over 5000 hours exposure to salt fog chamber (operated per ASTM B117).

Mast arm mount is adjustable for arms from 1-1/4" to 2" (1-5/8" to 2-3/8" O.D.) diameter.

The 2 – bolt and optional 4 bolt clamping mechanism provide 3G vibration rating per ANSI C136.

The Wildlife shield is cast into the housing (not a separate piece).

CONTROLS

NEMA 3 pin photocontrol receptacle is standard, with the Acuity designed ANSI standard 5 pin and 7 pin receptacles optionally available.

Premium solid state locking-style photocontrol – PCSS (10 year rated life) Extreme long life solid state locking-style photocontrol – PCL1 (20 year rated life).

Extreme long life solid state locking-style photocontrol with on demand remote on/off control - PCCC (15 year rated life).

Optional onboard Adjustable Output module allows the light output and input wattage to be modified to meet site specific requirements, and also can allow a single fixture to be flexibly applied in many different applications.

Autobahn Series ATBM

Roadway

ORDERING INFORMATION

Example: ATBM A MVOLT R2

Series	Performance Packages	Voltage	Optics	Mounting
ATBM Autobahn LED Roadway	P05 9,000 lumens P10 11,000 lumens P20 12,800 lumens P30 15,500 lumens P40 17,400 lumens P50 18,700 lumens P60 20,000 lumens P70 21,500 lumens	MVOLT Multi-volt, 120-277V 347 347V 480 480V	R2 Roadway Type II R3 Roadway Type III R4 Roadway Type IV R5 Roadway Type V	(Blank) 2 Bolt Mounting 4B 4 Bolt Mounting

Options

Color Temperature (CCT)

(Blank) 4000K CCT, 70 CRI Min.
 3K 3000K CCT, 70 CRI Min.
 5K 5000K CCT, 70 CRI Min.

Paint

(Blank) Gray
 BK Black
 BZ Bronze
 DDB Dark Bronze
 GI Graphite
 WH White

Surge Protection

(Blank) Acuity 20kV SPD w/ Indicator Light, IP65
 MP MOV Pack

Miscellaneous Options

HSS House Side Shield
 NL NEMA Label Indicating Wattage
 XL Not CSA Certified – No Terminal Block Cover
M2 2" Mast Arm Entry

UMR-XX 8" Horizontal Arm for Round Pole,
 Painted to match Fixture

UMS-XX 8" Horizontal Arm for Square Pole,
 Painted to match Fixture

UMR-GALV 8" Horizontal Arm for Round Pole,
 Painted to match Fixture

UMS-GALV 8" Horizontal Arm for Square Pole,
 Painted to match Fixture

Control Options

(Blank) 3 Pin NEMA Photocontrol Receptacle
 P7 7 Pin Photocontrol Receptacle (dimnable driver included)¹
 NR No Photocontrol Receptacle
 AO Field Adjustable Output
 DM 0-10V Dimmable Driver
 PCSS Solid-State Lighting Photocontrol
 PCLL Solid-State Long Life Photocontrol
 PCCC Solid-State Long Life Photocontrol with remote control on/off
 SH Shorting Cap

Packages

(Blank) Standard Pack
 JP Job Pack (36/pallet)

Accessories

ATBMHSS House Side Shield
 ATBMLTS Light Trespass Shield
RKATBMVOLTSPD ATBM Acuity SPD, MVOLT
RKATBMHVSPD ATBM Acuity SPD, 347/480V
RKATBMVOLTMP ATBM MOV Pack, MVOLT
RKATBMHVMP ATBM MOV Pack, 347/480V

Notes:

- 1 Dimmable Driver included. Not available with DM or NR.
- 2 Not available with P7.
- 3 Not available with DM.
- 4 Controls by others. Not available with AO.
- 5 MVOLT only.
- 6 Not available with PCSS or PCLL.



AEL Headquarters, 3825 Columbus Road, Granville, OH 43023
www.americanelectricalighting.com

© 2014-2018 Acuity Brands Lighting, Inc. All Rights Reserved. 12/10/18 PRELIM

Warranty Five-year limited warranty. Complete warranty terms located at:
www.acuitybrands.com/CustomResources/Terms_and_conditions.aspx
 Actual performance may differ as a result of end-user environment and application.
 Specifications subject to change without notice.

Please contact your sales representative for the latest product information.

ATBM

Autobahn Series ATBM Roadway

PERFORMANCE PACKAGE

Performance Package	Distribution	Lumens	4000K CCT Input Watts	LPW
P05	R2	9719	68	143
	R3	9688		142
	R4	9340		137
	R5	10689		157
P10	R2	11300	81	140
	R3	11303		140
	R4	10994		136
	R5	12087		149
P20	R2	12875	94	137
	R3	12819		136
	R4	12525		133
	R5	13777		147
P30	R2	15515	118	131
	R3	15453		131
	R4	15151		128
	R5	16686		141
P40	R2	17494	135	130
	R3	17368		129
	R4	17009		126
	R5	18596		138
P50	R2	18749	152	123
	R3	18713		123
	R4	18247		120
	R5	20089		132
P60	R2	20096	168	119
	R3	20095		119
	R4	19649		117
	R5	21506		128
P70	R2	21566	190	114
	R3	21505		113
	R4	21025		111
	R5	23077		121

Note: Information shown above is based on 4000K nominal system data. Individual fixture performance may vary. Specifications subject to change without notice.



AEL Headquarters, 3825 Columbus Road, Granville, OH 43023
www.americanelectriclighting.com

© 2014-2018 Acuity Brands Lighting, Inc. All Rights Reserved. 12/10/18 PRELIM

Warranty Five-year limited warranty. Complete warranty terms located at: www.acuitybrands.com/CustomerResources/Terms_and_conditions.aspx
Actual performance may differ as a result of end-user environment and application. Specifications subject to change without notice.

Please contact your sales representative for the latest product information.

ATBM



Consistent with LEED® goals & Green Globes™ criteria for light pollution reduction

Autobahn Series ATBMicro Roadway Lighting

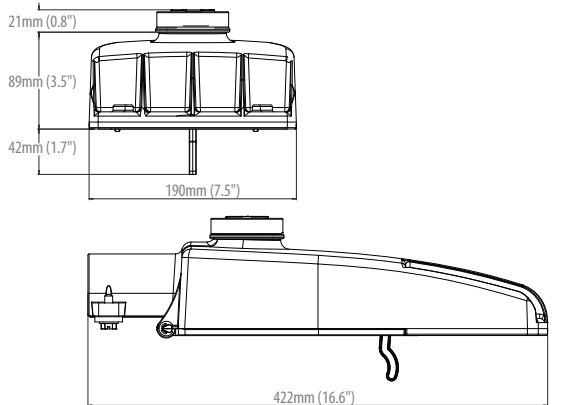
PRODUCT OVERVIEW



Applications:

- Roadways
- Off ramps
- Residential streets
- Parking lots

DIMENSIONS



Effective Projected Area (EPA): The EPA for the ATBMicro is 0.36 sq. ft. Approx. Wt. = 8 lbs.

STANDARDS

Color temperatures of $\leq 3000\text{K}$ must be specified for International Dark-Sky Association certification.

Rated for -40°C to 40°C ambient

CSA Certified to U.S. and Canadian standards

Complies with ANSI: C136.2, C136.10, C136.14, C136.31, C136.15, C136.37

Features:

OPTICAL

Same Light: Performance is comparable to 70-100W HPS roadway luminaires.

White Light: Correlated color temperature - 4000K, 70 CRI minimum, 3000K, 70 CRI minimum or optional 5000K, 70 CRI minimum.

Unique IP66 rated LED light engines provided 0% uplight and restrict backlight to within sidewalk depth, providing optimal application coverage and optimal pole spacing. Available in Type II, III and V roadway distributions.

ELECTRICAL

Expected Life: LED light engines are rated $>100,000$ hours at 25°C , L70. Electronic driver has an expected life of 100,000 hours at a 25°C ambient.

Lower Energy: Saves an expected of 40-60% over comparable HID luminaires.

Robust Surge Protection: Two different surge protection options provide a minimum of ANSI C136.2 10kV/5kA protection. 20kV/10kA protection is also available.

MECHANICAL

Includes standard AEL lineman-friendly features such as tool-less entry, 3 station terminal block and quick disconnects. Bubble level located inside the electrical compartment for easily leveling at installation.

Rugged die-cast aluminum housing and door are polyester powder-coated for durability and corrosion resistance. Rigorous five-stage pre-treating and painting process yields a finish that achieves a scribe creepage rating of 7 (per ASTM D1654) after over 5000 hours exposure to salt fog chamber (operated per ASTM B117).

Mast arm mount is adjustable for arms from 1-1/4" to 2" (1-5/8" to 2-3/8" O.D.) diameter. Provides a 3G vibration rating per ANSI C136.31

CONTROLS

NEMA 3 pin photocontrol receptacle is standard, with the Acuity designed ANSI standard 7 pin receptacle optionally available.

Premium solid state locking style photocontrol - PCSS (10 year rated life) Extreme long life solid state locking style photocontrol - PCLL (20 year rated life).

Optional onboard Adjustable Output module allows the light output and input wattage to be modified to meet site specific requirements, and also can allow a single fixture to be flexibly applied in many different applications.

Note: Specifications subject to change without notice. Actual performance may differ as a result of end-user environment and application.

Autobahn Series ATBMicro Roadway Lighting

ORDERING INFORMATION

Series	Performance Packages	Voltage	Optics
ATBMic Autobahn LED Roadway	10BLEDE60 10B Chips, 600mA Driver 10BLEDE70 10B Chips, 700mA Driver 10BLEDE85 10B Chips, 850mA Driver 10BLEDE10 10B Chips, 1050mA Driver 10BLEDE13 10B Chips, 1250mA Driver 10BLEDE15 10B Chips, 1500mA Driver	MVOLT Multi-volt, 120-277V 347 347V 480 480V	R2 Roadway Type II R3 Roadway Type III R5 Roadway Type V

Options

Color Temperature (CCT)

(Blank)	4000K CCT, 70 CRI Min.
3K	3000K CCT, 70 CRI Min.
5K	5000K CCT, 70 CRI Min.

Paint

(Blank)	Gray (Standard)
BK	Black
BZ	Bronze
DDB	Dark Bronze
GI	Graphite
WH	White

Surge Protection

(Blank)	Standard 20kV/10kA SPD
MP	MOV Pack

Terminal Block

(Blank)	Terminal Block (Standard)
----------------	---------------------------

Misc.

BL	External Bubble Level
HS	House-Side Shield
NL	Nema Label
XL	Not CSA Certified
UMR-XX	8" Horizontal Arm for Round Pole, Painted to match Fixture
UMS-XX	8" Horizontal Arm for Square Pole, Painted to match Fixture
UMR-GALV	8" Horizontal Arm for Round Pole, Galvanized

UMS-GALV

8" Horizontal Arm for Square Pole, Galvanized

PW# Pre-wire, # indicates wire length in one foot increments from 1' thru 10' (e.g. PW4 = 4' of pre-wire)

Controls

(Blank)	3 Pin NEMA Photocontrol Receptacle (Standard)
P7²	7 Pin Photocontrol Receptacle (Dimmable Driver Included)
NR	No Photocontrol Receptacle
AO	Field Adjustable Output (Controls by others)
DM	0V-10V Dimmable Driver (Controls by others)
PCSS¹	Solid State Lighting Photocontrol (120-277V)
PCLL	Solid State Long Life Photocontrol
SH	Shorting Cap

Packaging

(Blank)	Single Unit (Standard)
JP	Job Pack (90/pallet)

Accessories

ATBMICHSS House side shield for field installation

Notes

- 1 Not available in 347 or 480V.
- 2 Not available with DM, ML or NR.



AEL Headquarters, 3825 Columbus Road, Granville, OH 43023
www.americanelectricalighting.com

© 2018 Acuity Brands Lighting, Inc. All Rights Reserved. ATBMic 01/11/19

Warranty Five-year limited warranty. Complete warranty terms located at: www.acuitybrands.com/CustomerResources/Terms_and_conditions.aspx
Actual performance may differ as a result of end-user environment and application. All values are design or typical values, measured under laboratory conditions at 25 °C. Specifications subject to change without notice.

Please contact your sales representative for the latest product information.

Autobahn Series ATBMicro Roadway Lighting

PERFORMANCE PACKAGE

Performance Package	Drive Current (mA)	Input Watts	Optic	3K (3000K CCT, 70 CRI Min.)					4K/5K (4000K/5000K CCT, 70 CRI Min.)					LLD @ 25°C		
				Lumens	LPW	B	U	G	Lumens	LPW	B	U	G	25k Hours	75k Hours	100k Hours
10B	600	20	R2	2,451	123	1	0	1	2,592	130	1	0	1	0.98	0.97	0.96
	700	24		2,778	116	1	0	1	2,927	122	1	0	1	0.98	0.97	0.96
	850	29		3,295	114	1	0	1	3,488	120	1	0	1	0.97	0.95	0.92
	1050	37		3,953	107	1	0	2	4,204	114	1	0	2	0.97	0.95	0.92
	1300	44		4,564	104	1	0	2	4,859	110	1	0	2	0.93	0.90	0.88
	1500	52		5,283	102	1	0	2	5,653	109	1	0	2	0.93	0.90	0.88
	600	20	R3	2,421	121	1	0	1	2,571	129	1	0	1	0.98	0.97	0.96
	700	24		2,753	115	1	0	1	2,925	122	1	0	1	0.98	0.97	0.96
	850	29		3,281	113	1	0	1	3,494	120	1	0	1	0.97	0.95	0.92
	1050	37		3,933	106	1	0	1	4,194	113	1	0	1	0.97	0.95	0.92
	1300	44		4,520	103	1	0	1	4,846	110	1	0	1	0.93	0.90	0.88
	1500	52		5,232	101	1	0	1	5,632	108	1	0	1	0.93	0.90	0.88
	600	20	R5	2,546	127	2	0	1	2,739	137	2	0	1	0.98	0.97	0.96
	700	24		2,889	120	2	0	1	3,090	129	2	0	1	0.98	0.97	0.96
	850	29		3,429	118	2	0	1	3,688	127	2	0	1	0.97	0.95	0.92
	1050	37		4,113	111	3	0	1	4,440	120	3	0	1	0.97	0.95	0.92
	1300	44		4,754	108	3	0	1	5,128	117	3	0	1	0.93	0.90	0.88
	1500	52		5,494	106	3	0	1	5,945	114	3	0	1	0.93	0.90	0.88

Note: Specifications subject to change without notice.

ATBMicro LLD Multiplier	15°C	20°C	25°C	30°C	35°C	40°C
	1.02	1.01	1	0.98	0.97	0.95

To calculate the LLD for a temperature other than 25°C, multiply the LLD @ 25°C (shown in the performance package table) by the LLD multiplier for the selected temperature.



AEL Headquarters, 3825 Columbus Road, Granville, OH 43023
www.americanelectricalighting.com
© 2018 Acuity Brands Lighting, Inc. All Rights Reserved. ATBMicro 01/11/19

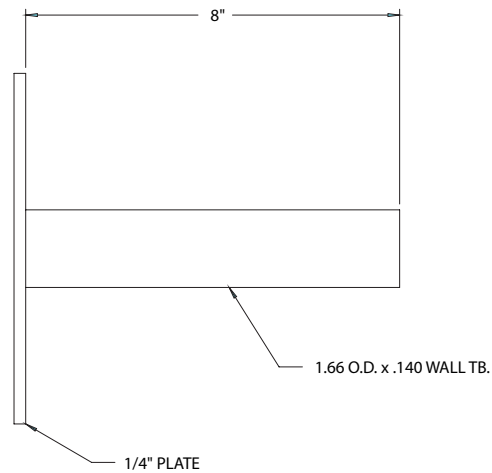
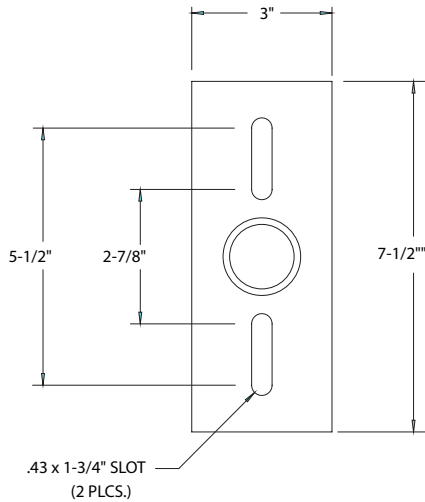
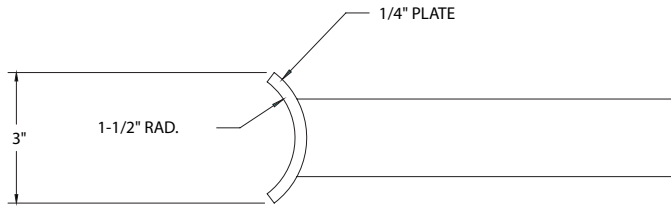
Warranty Five-year limited warranty. Complete warranty terms located at: www.acuitybrands.com/CustomerResources/Terms_and_conditions.aspx
Actual performance may differ as a result of end-user environment and application. All values are design or typical values, measured under laboratory conditions at 25 °C. Specifications subject to change without notice.

Please contact your sales representative for the latest product information.

Autobahn Series ATBMicro Roadway Lighting

UMR POLE ADAPTOR

RECOMMENDED FOR USE WITH POLES OF 4" DIAMETER OR SMALLER



UMS POLE ADAPTOR



AEL Headquarters, 3825 Columbus Road, Granville, OH 43023
www.americanelectriclighting.com

© 2018 Acuity Brands Lighting, Inc. All Rights Reserved. ATBMic 01/11/19

Warranty Five-year limited warranty. Complete warranty terms located at: www.acuitybrands.com/CustomerResources/Terms_and_conditions.aspx
Actual performance may differ as a result of end-user environment and application.
All values are design or typical values, measured under laboratory conditions at 25 °C.
Specifications subject to change without notice.

Please contact your sales representative for the latest product information.



Consistent with LEED® goals & Green Globes™ criteria for light pollution reduction

Autobahn Series ATBS

Roadway & Security Lighting

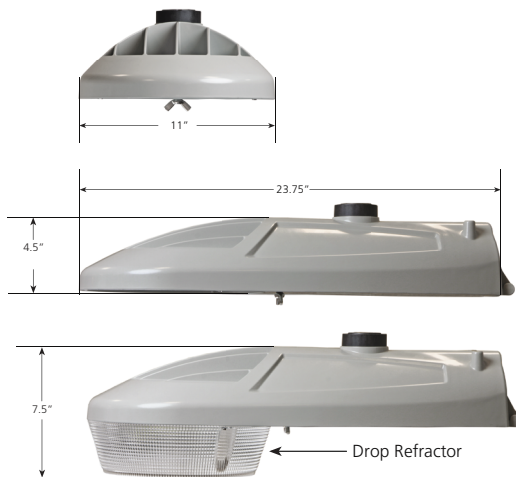
PRODUCT OVERVIEW



Applications:

- Residential streets
- Parking lots
- General security lighting

DIMENSIONS



Effective Projected Area (EPA) The EPA for the ATBS is 0.3 sq. ft., Approx. Wt. = 12 lbs. (5 kg)

STANDARDS

DesignLights Consortium® (DLC) qualified product. Not all versions of this product may be DLC qualified. Please check the DLC Qualified Products List at www.designlights.org/QPL to confirm which versions are qualified.

Color temperatures of $\leq 3000\text{K}$ must be specified for International Dark-Sky Association certification.

Rated for -40°C to 40°C ambient

CSA Certified to U.S. and Canadian standards

Complies with ANSI: C136.2, C136.10, C136.14, C136.31, C136.15, C136.37

Note: Actual performance may differ as a result of end-user environment and application. Specifications subject to change without notice.

Features:

OPTICAL

Same Light: Performance is comparable to 50W – 150W HPS and up to 175W Mercury Vapor roadway and security lighting luminaires.

White Light: Correlated color temperature - 4000K, 70 CRI minimum, 3000K, 70 CRI minimum or optional 5000K, 70 CRI minimum.

IP66 rated borosilicate glass optics ensure longevity and minimize dirt depreciation. Unique IP66 rated LED light engines provide 0% uplight and restrict backlight to within sidewalk depth, providing optimal application coverage and optimal pole spacing.

Available distributions are Type II, III, and V roadway distributions. When used with the optional acrylic refractor the unit provides approximately 10% uplight and increased vertical foot-candles

ELECTRICAL

Expected Life: LED light engines are rated $>100,000$ hours at 25°C , L70. Electronic driver has an expected life of 100,000 hours at a 25°C ambient.

Lower Energy: Saves an expected 40-60% over comparable HID luminaires.

Robust Surge Protection: Three different surge protection options provide a minimum of ANSI C136.2 10kV/5kA protection. 20kV/10kA surge protection is also available.

MECHANICAL

Includes standard AEL lineman-friendly features such as tool-less entry, 3 station terminal block and quick disconnects. Bubble level located inside the electrical compartment for easy leveling at installation.

Rugged die-cast aluminum housing and door are polyester powder-coated for durability and corrosion resistance. Rigorous five-stage pre-treating and painting process yields a finish that achieves a scribe creepage rating of 8 (per ASTM D1654) after over 5000 hours exposure to salt fog chamber (operated per ASTM B117).

Mast arm mount is adjustable for arms from 1-1/4" to 2" (1-5/8" to 2-3/8" O.D.) diameter. The 2 – bolt clamping mechanism provides 3G vibration rating per ANSI C136.

The Wildlife shield is cast into the housing (not a separate piece).

CONTROLS

NEMA 3 pin photocontrol receptacle is standard, with the Acuity designed ANSI standard 5 pin and 7 pin receptacles optionally available.

Premium solid state locking-style photocontrol – PCSS (10 year rated life) Extreme long life solid state locking-style photocontrol – PCL1 (20 year rated life)

Optional onboard Adjustable Output module allows the light output and input wattage to be modified to meet site specific requirements, and also can allow a single fixture to be flexibly applied in many different applications.

Autobahn Series ATBS

Roadway & Security Lighting

ORDERING INFORMATION

Example: ATBS A MVOLT R2

Series	Performance Packages	Voltage	Optics
ATBS Autobahn LED Roadway & Security	A 2,500 lumens B 3,200 lumens C 3,800 lumens E 4,700 lumens F 5,400 lumens G 6,100 lumens H 7,100 lumens I 8,500 lumens	MVOLT Multi-volt, 120-277V	R2 Roadway Type II R3 Roadway Type III R5 Roadway Type V D2 Type II, Drop Refractor included D3 Type III, Drop Refractor included D5 Type V, Drop Refractor included

Options

Color Temperature (CCT)

(Blank) 4000K CCT, 70 CRI Min.
3K 3000K CCT, 70 CRI Min.
5K 5000K CCT, 70 CRI Min.

Paint

Blank Gray (Standard)
BK Black
WH White
BZ Bronze

Surge Protection

Standard 10kV/5kA SPD
Blank Acuity SPD-10kV/5kA with inductive filter (Standard)
20 20kV/10KA SPD
MP MOV Pack
IL SPD with Indicator Light

Misc.

HS House Side Shield
NL NEMA Label

Notes

- Not available with Install Packages.
- Not available with AO option.

XL Not CSA Certified

Controls

(Blank) 3 Pin NEMA Photocontrol Receptacle
NR¹ No Photocontrol Receptacle
DM² 0V-10V Dimmable Driver
P5 5 Pin Photocontrol Receptacle (dimmable driver included)
P7 7 Pin Photocontrol Receptacle (dimmable driver included)
PCSS¹ DTL DSS Photocontrol
PCL1¹ DTL DLL Photocontrol 120-277V
AO Field Adjustable Output
SH Shorting Cap

Packages

(Blank) Standard Pack
JP Job Pack (54/pallet)

Install Packages

PKGS DTL DSS Photocontrol
PKGL DTL DLL Photocontrol
 Packages ship with selected photocontrol, 24", 1 1/4" diameter arm, 5' of prewire and mounting hardware

Accessories

ATBSREF Drop Refractor for field installation
ATBSHSS House Side Shield for field installation
ATBSLTS Light Trespass Shield for field installation
ATBS LOUVER KIT Louver Kit for field installation



AEL Headquarters, 3825 Columbus Road, Granville, OH 43023
 www.americanelectriclighting.com

© 2014-2019 Acuity Brands Lighting, Inc. All Rights Reserved. 02/14/19 ATBS

Warranty Five-year limited warranty. Complete warranty terms located at:
www.acuitybrands.com/resources/terms-and-conditions

Actual performance may differ as a result of end-user environment and application. All values are design or typical values, measured under laboratory conditions at 25 °C. Specifications subject to change without notice.

Please contact your sales representative for the latest product information.

Autobahn Series ATBS

Roadway & Security Lighting

PERFORMANCE PACKAGE

Performance Package	Distribution	Input Watts	3K (3000K CCT, 70 CRI)					4K/5K (4000K/5000K CCT, 70 CRI)					LLD @ 25°C		
			Lumens	LPW	B	U	G	Lumens	LPW	B	U	G	25k Hours	75k Hours	100k Hours
A	R2	19	2,363	124	1	0	1	2,514	132	1	0	1	0.93	0.89	0.85
	R3		2,364	124	1	0	1	2,515	132	1	0	1			
	R5		2,490	131	2	0	0	2,649	139	2	0	1			
	D2		2,250	118	1	3	2	2,394	126	1	3	2			
	D3		2,231	117	1	3	2	2,373	125	1	3	2			
	D5		2,370	125	2	3	2	2,521	133	2	3	2			
B	R2	24	3,053	127	1	0	1	3,166	132	1	0	1	0.93	0.89	0.85
	R3		3,010	125	1	0	1	3,167	132	1	0	1			
	R5		3,136	131	2	0	1	3,336	139	2	0	1			
	D2		2,906	121	1	3	2	3,014	126	1	3	2			
	D3		2,840	118	1	3	3	2,988	125	1	3	3			
	D5		2,985	124	2	3	3	3,175	132	2	3	3			
C	R2	31	3,628	117	1	0	1	3,784	122	1	0	1	0.93	0.89	0.85
	R3		3,820	123	1	0	1	3,780	122	1	0	1			
	R5		3,787	122	2	0	1	4,029	130	3	0	1			
	D2		3,456	111	1	3	3	3,605	116	1	3	3			
	D3		3,603	116	1	3	3	3,565	115	1	3	3			
	D5		3,605	116	2	3	3	3,835	124	2	3	3			
E	R2	40	4,604	115	1	0	1	4,770	119	1	0	1	0.93	0.89	0.85
	R3		4,532	113	1	0	1	4,704	118	1	0	1			
	R5		4,575	114	3	0	1	4,867	122	3	0	1			
	D2		4,385	110	1	3	3	4,543	114	1	3	3			
	D3		4,276	107	1	3	3	4,438	111	1	3	3			
	D5		4,371	109	2	3	3	4,650	116	3	3	3			
F	R2	47	5,136	109	1	0	1	5,392	115	1	0	1	0.93	0.89	0.85
	R3		5,071	108	1	0	1	5,407	115	1	0	1			
	R5		4,864	103	3	0	1	5,175	110	3	0	1			
	D2		4,891	104	1	3	3	5,135	109	1	3	3			
	D3		4,783	102	1	3	3	5,100	109	1	3	3			
	D5		4,747	101	3	3	3	5,051	107	3	3	3			
G	R2	50	6,020	120	1	0	1	6,235	125	1	0	1	0.94	0.92	0.90
	R3		5,931	119	1	0	1	6,101	122	1	0	1			
	R5		6,084	122	3	0	1	6,404	128	3	0	1			
	D2		5,733	115	1	3	3	5,938	119	1	3	3			
	D3		5,596	112	1	3	3	5,756	115	1	3	3			
	D5		5,884	118	3	3	3	6,193	124	3	3	3			
H	R2	60	6,914	115	1	0	2	7,194	120	2	0	2	0.94	0.92	0.90
	R3		6,794	113	1	0	2	7,141	119	2	0	2			
	R5		7,133	119	3	0	1	7,508	125	3	0	1			
	D2		6,584	110	1	3	3	6,851	114	2	3	3			
	D3		6,410	107	2	3	4	6,737	112	2	3	4			
	D5		6,793	113	2	3	3	7,150	119	3	3	4			
I	R2	76	8,212	108	2	0	2	8,653	114	2	0	2	0.94	0.92	0.90
	R3		8,092	106	2	0	2	8,525	112	2	0	2			
	R5		8,553	113	3	0	2	9,003	118	3	0	2			
	D2		7,821	103	2	3	4	8,241	108	2	3	4			
	D3		7,634	100	2	3	4	8,042	106	2	3	4			
	D5		8,146	107	3	3	3	8,575	113	3	3	4			

Note: Individual fixture performance may vary. Specifications subject to change without notice.



AEL Headquarters, 3825 Columbus Road, Granville, OH 43023
www.americanelectriclighting.com

© 2014-2019 Acuity Brands Lighting, Inc. All Rights Reserved. 02/14/19 ATBS

Warranty Five-year limited warranty. Complete warranty terms located at:

www.acuitybrands.com/resources/terms-and-conditions

Actual performance may differ as a result of end-user environment and application. All values are design or typical values, measured under laboratory conditions at 25 °C. Specifications subject to change without notice.

Please contact your sales representative for the latest product information.



Consistent with LEED® goals
& Green Globes™ criteria
for light pollution reduction

Autobahn Series ATBX Roadway & Security Lighting

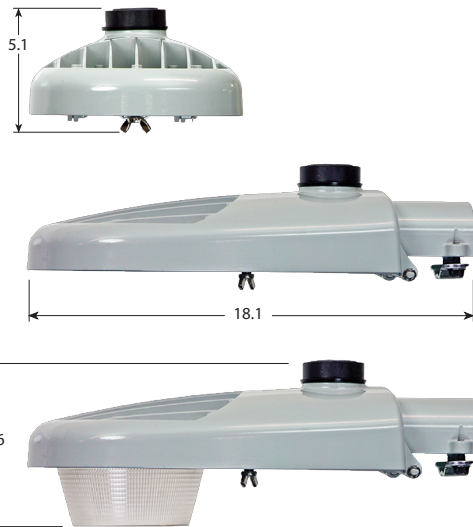
PRODUCT OVERVIEW



Applications:

- Residential streets
- Parking lots
- General security lighting

DIMENSIONS



Effective Projected Area (EPA) The EPA for the ATBX is .26 sq. ft.
Approx. Wt. = 8lbs.

STANDARDS

DesignLights Consortium® (DLC) qualified product. Not all versions of this product may be DLC qualified. Please check the DLC Qualified Products List at www.designlights.org/QPL to confirm which versions are qualified.

Color temperatures of $\leq 3000\text{K}$ must be specified for International Dark-Sky Association certification.

Rated for -40°C to 40°C ambient

CSA Certified to U.S. and Canadian standards

Complies with ANSI: C136.2, C136.10, C136.14, C136.31, C136.15, C136.37

Note: Actual performance may differ as a result of end-user environment and application. Specifications subject to change without notice.

Features:

OPTICAL

Same Light: Performance is comparable to 50W – 150W HPS and up to 175W Mercury Vapor roadway and security lighting luminaires.

White Light: Correlated color temperature - 4000K, 70 CRI minimum, 3000K, 70 CRI minimum or optional 5000K, 70 CRI minimum.

IP66 rated borosilicate glass optics ensure longevity and minimize dirt depreciation. Unique IP66 rated LED light engines provide 0% uplight and restrict backlight to within sidewalk depth, providing optimal application coverage and optimal pole spacing.

Available distributions are Type II, III, IV, and V roadway distributions. When used with the optional acrylic refractor the unit provides approximately 10% uplight and increased vertical foot-candles

ELECTRICAL

Expected Life: LED light engines are rated $>100,000$ hours at 25°C , L70. Electronic driver has an expected life of 100,000 hours at a 25°C ambient.

Lower Energy: Saves an expected 40-60% over comparable HID luminaires.

Standard surge protection is 20kV/10kA "Extreme Level" per ANSI C136.2. An optional MOV pack provides 10kV/5kA "Enhanced Level."

MECHANICAL

Includes standard AEL lineman-friendly features such as tool-less entry, 3 station terminal block and quick disconnects. Bubble level located inside the electrical compartment for easy leveling at installation.

Rugged die-cast aluminum housing and door are polyester powder-coated for durability and corrosion resistance. Rigorous five-stage pre-treating and painting process yields a finish that achieves a scribe creepage rating of 8 (per ASTM D1654) after over 5000 hours exposure to salt fog chamber (operated per ASTM B117).

Mast arm mount is adjustable for arms from 1-1/4" to 2" (1-5/8" to 2-3/8" O.D.) diameter. The 2 – bolt clamping mechanism provides 3G vibration rating per ANSI C136.

CONTROLS

NEMA 3 pin photocontrol receptacle is standard, with the Acuity designed ANSI standard 7 pin receptacle optionally available.

Premium solid state locking-style photocontrol – PCSS (10 year rated life) Extreme long life solid state locking-style photocontrol – PCL1 (20 year rated life)

Optional onboard Adjustable Output module allows the light output and input wattage to be modified to meet site specific requirements, and also can allow a single fixture to be flexibly applied in many different applications.

Autobahn Series ATBX

Roadway & Security Lighting

ORDERING INFORMATION

Series	Performance Packages	Voltage	Optics
ATBX Autobahn LED Roadway & Security	P10 2,000 lumens P20 2,500 lumens P30 3,200 lumens P40 3,900 lumens P50 5,600 lumens P60 6,600 lumens P70 7,400 lumens	MVOLT Multi-volt, 120-277V	R2 Roadway Type II R3 Roadway Type III R4 Roadway Type IV R5 Roadway Type V D3 Type III, Drop Refractor included D5 Type V, Drop Refractor included

Options

Color Temperature (CCT)

(Blank)	4000K CCT, 70 CRI Min.
3K	3000K CCT, 70 CRI Min.
5K	5000K CCT, 70 CRI Min.

Paint

Blank	Gray (Standard)
BK	Black
WH	White
BZ	Bronze

Surge Protection

Blank	Standard 20kV/10kA SPD
MP	MOV Pack

Misc.

HSS	House Side Shield
NL	NEMA Label
XL	Not CSA Certified

Controls

(Blank)	3 Pin NEMA Photocontrol Receptacle
NR¹	No Photocontrol Receptacle
DM²	0V-10V Dimmable Driver
P7	7 Pin Photocontrol Receptacle (dimmable driver included)
PCSS¹	DTL DSS Photocontrol
PCLL¹	DTL DLL Photocontrol 120-277V
AO	Field Adjustable Output
SH	Shorting Cap

Packages

(Blank)	Standard Pack
JP	Job Pack

Install Packages

PKGS	DTL DSS Photocontrol
PKGL	DTL DLL Photocontrol

Packages ship with selected photocontrol, 24", 1 1/4" diameter arm, 5' of prewire and mounting hardware

Accessories

ATBXREF	Drop Refractor for field installation
ATBXHSS	House Side Shield for field installation
ATBXLTS	Light Trespass Shield for field installation

Notes

1. Not available with Install Packages.
2. Not available with AO option.



AEL Headquarters, 3825 Columbus Road, Granville, OH 43023
www.americanelectriclighting.com

© 2014-2019 Acuity Brands Lighting, Inc. All Rights Reserved. 05/23/19 ATBX

Warranty Five-year limited warranty. Complete warranty terms located at:

www.acuitybrands.com/support/customer-support/terms-and-conditions

Actual performance may differ as a result of end-user environment and application. All values are design or typical values, measured under laboratory conditions at 25 °C. Specifications subject to change without notice.

Please contact your sales representative for the latest product information.

Autobahn Series ATBX

Roadway & Security Lighting

PERFORMANCE PACKAGE															
Performance Package	Distribution	Input Watts	3000K CCT, 70 CRI					4000K & 5000K CCT, 70 CRI					LLD @ 25C		
			Lumens	LPW	B	U	G	Lumens	LPW	B	U	G	50K Hours	75K Hours	100K Hours
P10	R2	14	1956	140	1	0	1	2032	145	1	0	1	0.92	0.89	0.85
	R3		1955	140	0	0	1	2016	144	0	0	1			
	R4		1982	142	1	0	1	1981	142	1	0	1			
	R5		2145	153	1	0	0	2167	155	1	0	0			
P20	R2	18	2455	136	1	0	1	2577	143	1	0	1	0.92	0.89	0.85
	R3		2473	137	1	0	1	2553	142	1	0	1			
	R4		2505	139	1	0	1	2506	139	1	0	1			
	R5		2715	151	2	0	0	2744	152	2	0	0			
P30	R2	23	3102	135	1	0	1	3246	141	1	0	1	0.92	0.89	0.85
	R3		3125	136	1	0	1	3240	141	1	0	1			
	R4		3153	137	1	0	1	3162	137	1	0	1			
	R5		3422	149	2	0	1	3442	150	2	0	1			
P40	R2	28	3603	129	1	0	1	3793	135	1	0	1	0.92	0.89	0.85
	R3		3705	132	1	0	1	3900	139	1	0	1			
	R4		3639	130	1	0	2	3831	137	1	0	2			
	R5		3971	142	2	0	1	4180	149	2	0	1			
P50	R2	41	5426	132	2	0	2	5430	132	2	0	2	0.92	0.89	0.85
	R3		5248	128	1	0	2	5629	137	1	0	2			
	R4		5300	129	1	0	2	5482	134	1	0	2			
	R5		5647	138	3	0	1	6053	148	3	0	1			
P60	R2	51	6392	125	2	0	2	6422	126	2	0	2	0.92	0.88	0.84
	R3		6208	122	1	0	2	6652	130	1	0	2			
	R4		6207	122	1	0	2	6456	127	1	0	2			
	R5		6690	131	3	0	1	7150	140	3	0	1			
P70	R2	60	7133	119	2	0	2	7252	121	2	0	2	0.92	0.88	0.84
	R3		6967	116	1	0	2	7468	124	1	0	2			
	R4		6957	116	1	0	2	7262	121	1	0	2			
	R5		7492	125	3	0	1	7964	133	3	0	1			

Note: Individual fixture performance may vary. Specifications subject to change without notice.



AEL Headquarters, 3825 Columbus Road, Granville, OH 43023
www.americanelectricalighting.com

© 2014-2019 Acuity Brands Lighting, Inc. All Rights Reserved. 05/23/19 ATBX

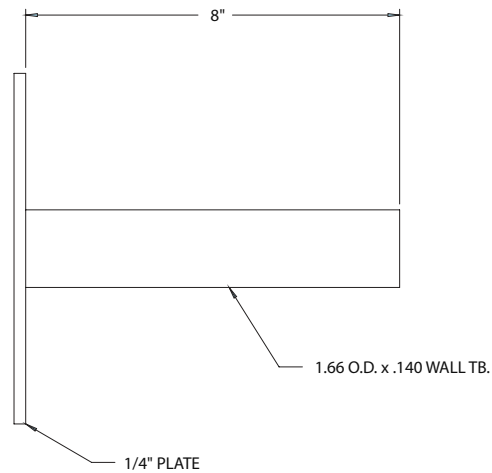
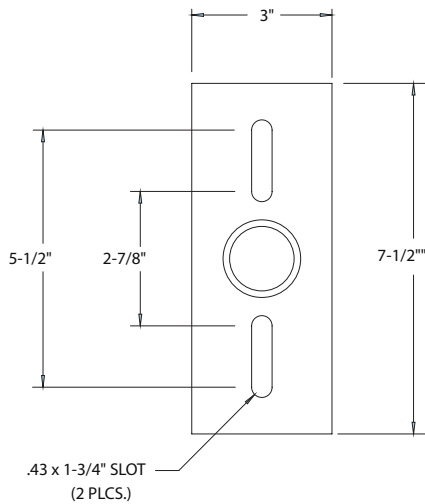
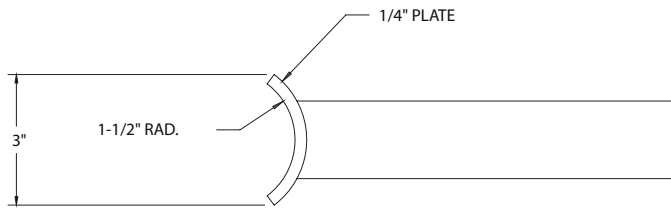
Warranty Five-year limited warranty. Complete warranty terms located at: www.acuitybrands.com/support/customer-support/terms-and-conditions
Actual performance may differ as a result of end-user environment and application. All values are design or typical values, measured under laboratory conditions at 25 °C. Specifications subject to change without notice.

Please contact your sales representative for the latest product information.

Autobahn Series ATBX Roadway & Security Lighting

UMR POLE ADAPTOR

RECOMMENDED FOR USE WITH POLES OF 4" DIAMETER OR SMALLER



UMS POLE ADAPTOR



AEL Headquarters, 3825 Columbus Road, Granville, OH 43023
www.americanelectriclighting.com

© 2014-2019 Acuity Brands Lighting, Inc. All Rights Reserved. 05/23/19 ATBX

Warranty Five-year limited warranty. Complete warranty terms located at:
www.acuitybrands.com/support/customer-support/terms-and-conditions
Actual performance may differ as a result of end-user environment and application.
All values are design or typical values, measured under laboratory conditions at 25 °C.
Specifications subject to change without notice.

Please contact your sales representative for the latest product information.