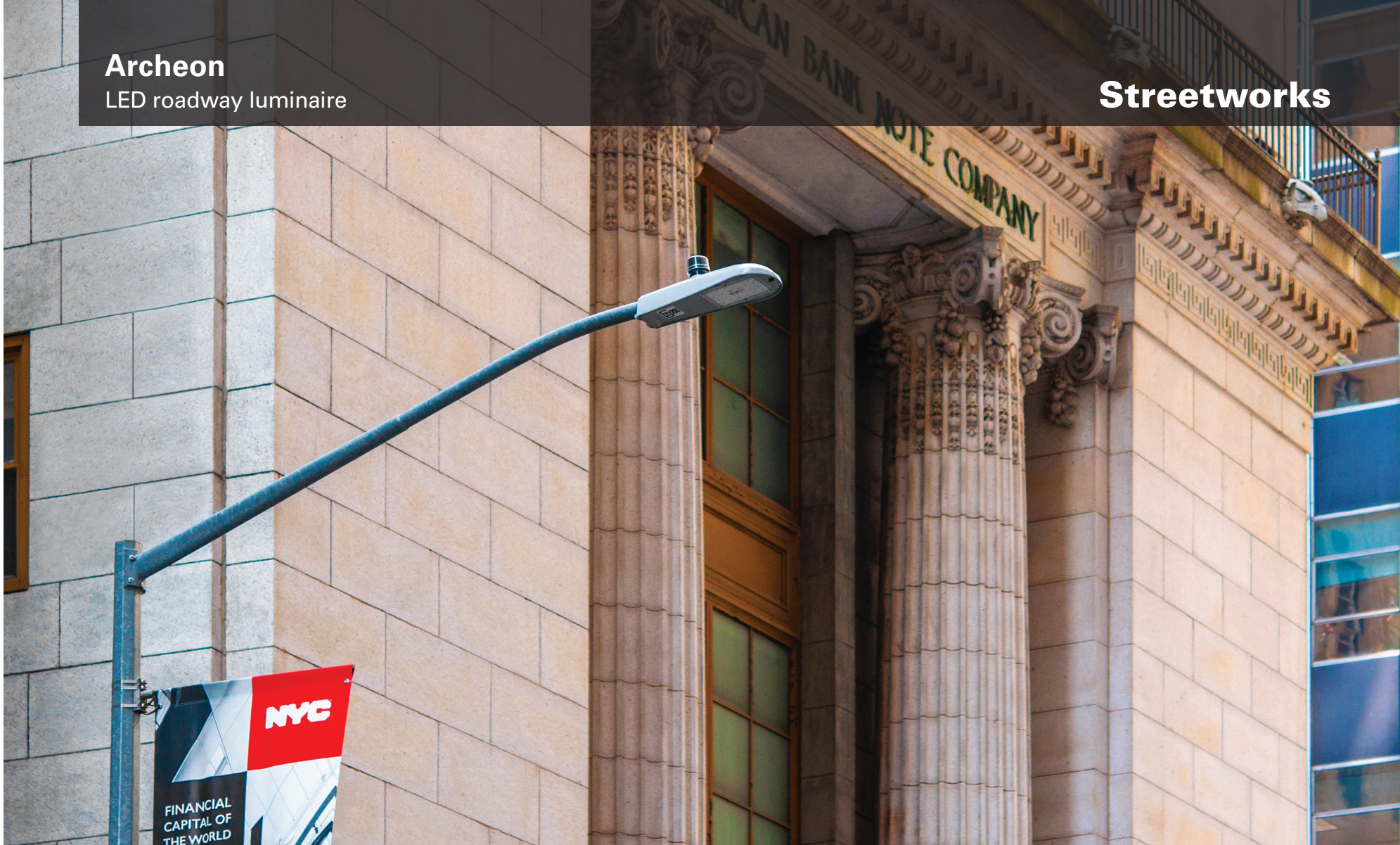


Archeon
LED roadway luminaire

Streetworks



EATON

Powering Business Worldwide

Discrete LED solution. Energy conscious illumination.

The Archeon™ LED roadway luminaire delivers all the performance benefits of the latest Eaton LED platforms and technologies with a modern, yet familiar cobrahead form factor. This discrete LED solution with the patented, high-efficiency AccuLED Optics™ system provides uniform and energy conscious illumination for municipal streets and highways. Our customer focused features include a single latch for tool-less entry to serviceable components, industry leading surge protection options, superior lumen maintenance and performance, all in an economical architectural design.

Key features and benefits

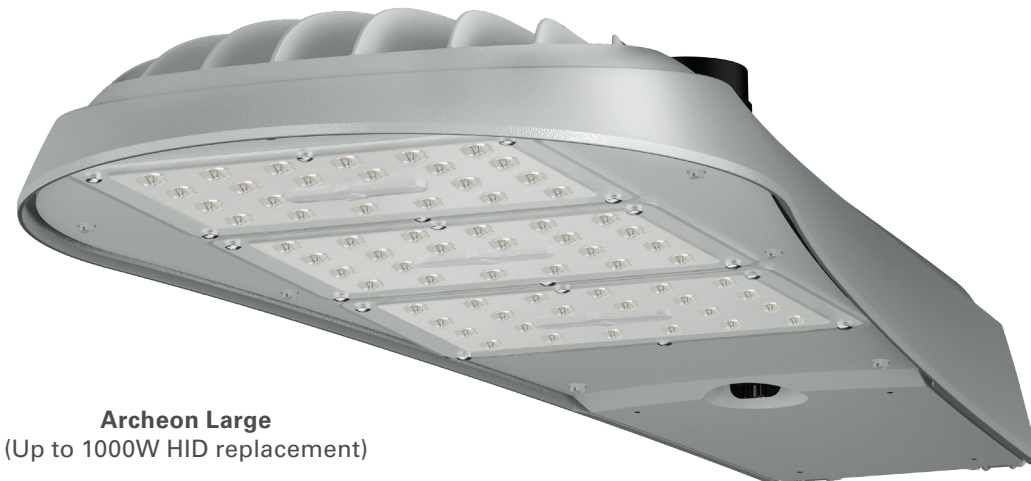
- High performance, discrete LED solution delivers over 145 lumens per watt
- Multiple optical distributions across the three luminaires that are precisely designed to shape the distribution, maximizing efficiency and fixture spacing
- Multiple lumen packages ranging from 2,500 - 33,000 delivered lumens
- 4000K CCT standard with minimum 70 CRI, optional 2700K CCT at 80 CRI, 3000K and 5000K CCT at 70 CRI
- Optional 3 or 7-PIN NEMA twistlock photocontrol receptacle (ANSI-C131.41) for control capability
- Tool-less access for ease of installation and maintenance



Archeon Small
(Typical <200W HID replacement)



Archeon Medium
(Up to 400W HID replacement)



Archeon Large
(Up to 1000W HID replacement)



LED roadway lighting. We've got this covered.

Eaton's Archeon family of LED roadway luminaires light the way to sustainable and economic solutions for a wide range of outdoor lighting applications.

Superior, affordable performance

Whether on an urban street, a rural or residential road or a highway, the Archeon LED roadway luminaires get the job done. High performance, long life, low maintenance and low cost are critical factors for any roadway lighting application. The Archeon family is ideal for retrofit and new construction projects, and it can be tailored to meet your specific needs without compromising on important features.

Long term reliability and maintenance

From local to major roadways, the Archeon luminaires are designed for easy install, superior performance, and long term energy and maintenance savings. Tool-less entry and quick disconnects allow for stress-free installation and maintenance. The optical assemblies are IP66 rated to protect and ensure continued performance from the LED light source. The heavy-duty die-cast aluminum housing is designed to operate in high ambient temperatures while still providing superior lumen maintenance over the life of the luminaire. Input operating voltage options include 120-277V 50/60Hz, 347V 60Hz and 480V 60Hz. The optional 10kV/10kA surge protector provides state of the art protection against voltage spikes, while the super TGIC polyester powder coat finish provides years of durability.

Real world features

The Archeon family of luminaires is designed to meet the challenging demands of roadway applications. The luminaires are available with numerous surge protection and control options. Both 3- and 7-PIN NEMA twistlock receptacles are available to accommodate additional control. The luminaires are also designed for multiple mounting options including standard pole, optional arm, and offset adjustable arm mounting.



LumenSafe. Integrated network security camera.

Eaton.com/LumenSafe

All-in-one lighting and surveillance solution.

Lighting is everywhere. Why shouldn't it do more? Outdoor lighting provides the perfect platform for safer, more connected communities. Now, besides just keeping key areas well-lit, lighting can help you keep an eye on things. LumenSafe is an all-in-one solution combining LED lighting with a high-definition camera.

LumenSafe features and benefits

- One-trip installation
- Flexible software integration
- Streamlined design
- State-of-the-art security features
- Available in several LED luminaire packages
- Flexible backhaul options



LumenSafe
reduces project
installation time by
up to
30%

Coming Soon
(Available with Archeon Large only)

Safe communities start here



**LED
light fixtures**

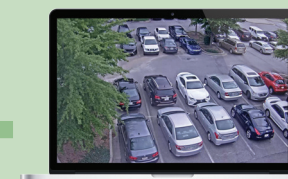


**Integrated
video camera**

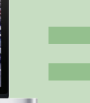


**Flexible
backhaul options**

(Cellular, Wi-Fi, Ethernet)



**Software
services**

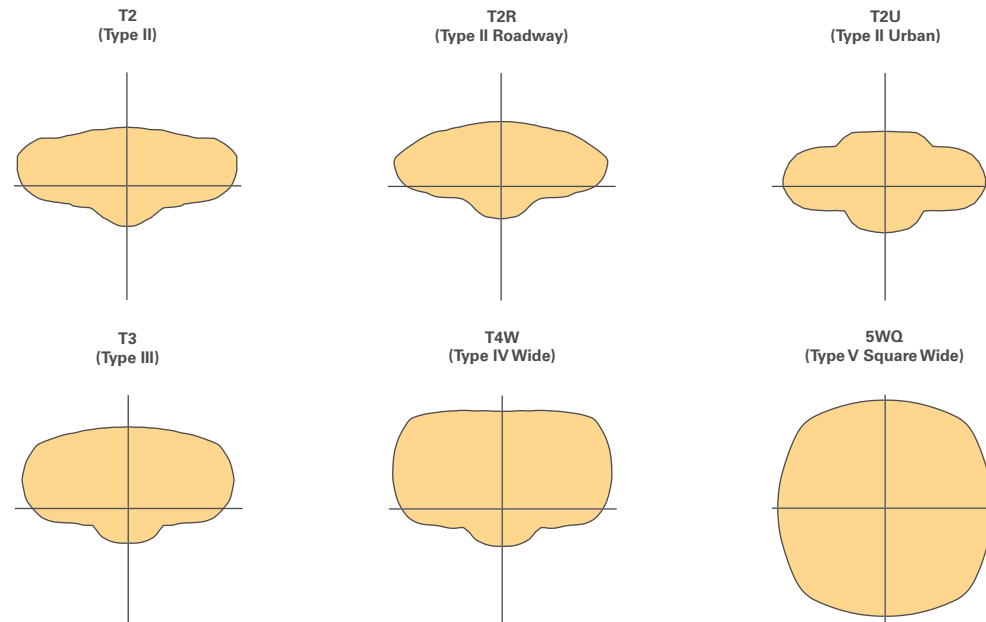


LumenSafe
simplified
integration

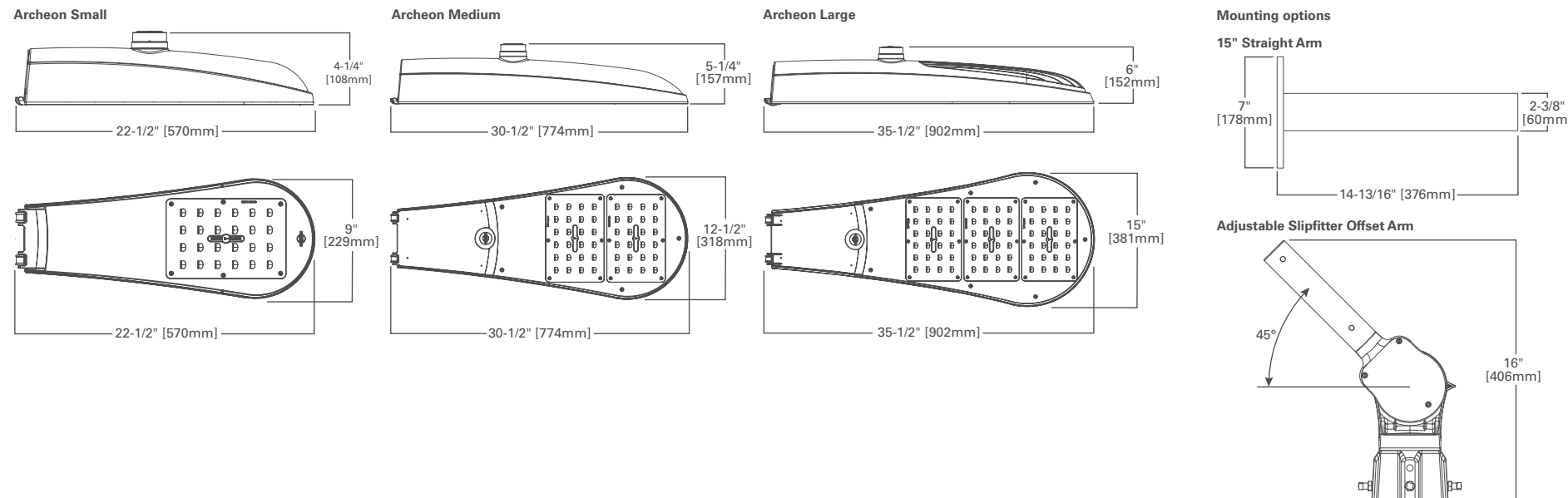
Performance and scalability

Optical performance redefined.

Choice of six patented, high-efficiency AccuLED Optics. Available in Type II, III, IV wide and V square wide the optics are precisely designed to shape the distribution maximizing efficiency and application spacing. Offered standard in 4000K (+/- 275K) CCT and minimum 70 CRI. Optional 2700K (80 CRI), 3000K (70 CRI), 5000K (70 CRI) CCT are available. For the ultimate level of spill light control, an optional house side shield accessory is available and can be field or factory installed. The house side shield is designed to seamlessly integrate with the T2R, T3, and T4W optics. Optics are IP66 enclosure rated.



Dimensions



Technical specifications

Performance

Distributions: Type II, III, IV, V

Lumens

Archeon Small: 2,500 - 13,000

Archeon Medium: 5,000 - 21,000

Archeon Large: 11,000 - 33,000

CCT/CRI: 4000K / 70 CRI, 3000K / 70 CRI, 5000K / 70 CRI, 2700K 80 CRI

Controls: 0-10V, occupancy sensor, LumaWatt Pro, WaveLinx, 3-PIN or 7-PIN NEMA twistlock photocontrol receptacle

Energy data

Power factor: >0.9

Total harmonic distortion: <20%

Minimum temperature: -40°C

Ambient temperature rating: 40°C / 50°C

Operation: 120-277V 50/60Hz, Optional 347V and 480V

Additional information

Warranty: 5 year (optional 10 year)

Vibration tested: 3G

UL/cUL listed: Wet location

IP66 rated: Yes (optics)

ISO 9001: Certified

RoHS: Compliant

Approximate net weight:

Archeon Small: 12 lbs. (5.45 kgs.)

Archeon Medium: 18 lbs. (8.16 kgs.)

Archeon Large: 27 lbs. (12.2 kgs.)

Effective projected area (EPA) square feet:

Archeon Small: 0.50

Archeon Medium: 0.71

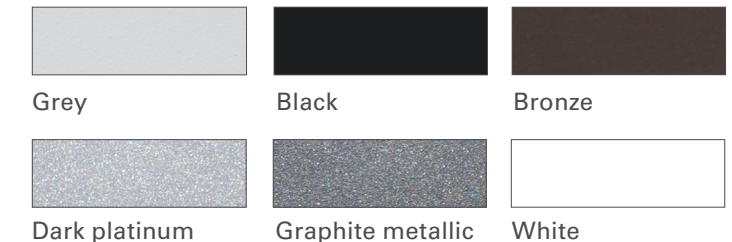
Archeon Large: 0.86



Finish selection

Five-stage super TGIC paint resists extreme weather conditions, while providing optimal color and gloss retention.

Eaton utilizes premium ultra-weatherable TGIC based polyester powder coatings that are specifically formulated to withstand extended outdoor exposure. The powders are formulated exclusively for Eaton to serve functionally as well as decorative. Good film appearance combined with excellent mechanical and exterior exposure qualities display greater than twice as much gloss retention. Finish is compliant with ASTM B117 3000hr salt spray standard. RAL and custom color finishes available.



NOTE: Colors and textures have been matched as close as possible. Consult your lighting representative at Eaton for more information, or visit eaton.com/lighting to find the most up to date information.

Product specifications subject to change without notice. Visit eaton.com/lighting to find the most up to date information.

Lighting Product Lines

Ametrix
AtLite
Corelite
Ephesus
Fail-Safe
Halo
Halo Commercial
Invue
io
Iris
Lumark
Lumière
McGraw-Edison
Metalux
MWS
Neo-Ray
Portfolio
RSA
Shaper
Streetworks
Sure-Lites

Controls Product Lines

Fifth Light Technology
Greengate
iLight (International Only)
iLumin
Zero 88

Connected Lighting Systems

Distributed Low-Voltage Power
HALO Home
iLumin Plus
LumaWatt Pro
WaveLinx



Eaton
1121 Highway 74 South
Peachtree City, GA 30269
P: 770-486-4800
www.eaton.com/lighting

Canada Sales
5925 McLaughlin Road
Mississauga, Ontario L5R 1B8
P: 905-501-3000
F: 905-501-3172

© 2018 Eaton
All Rights Reserved
Printed in USA
Publication No. BR521006EN
December 2018

Eaton is a registered trademark.

All other trademarks are property of their respective owners.

Product availability, specifications, and compliances are subject to change without notice.

DESCRIPTION

The Archeon™ Small LED roadway luminaire delivers all the performance benefits of the latest Eaton LED platforms and technologies with a modern, yet familiar cobrahead form factor. This discrete LED solution with the patented, high-efficiency AccuLED Optics™ system, provides uniform and energy conscious illumination for municipal streets and highways. Our customer focused features include single latch tool-less entry, industry leading surge protection options and superior lumen maintenance and performance, all in an economical design. Available in 14 standard lumen packages per optic making it the ideal LED replacement for any application of 50W to 150W HPS cobraheads.

SPECIFICATION FEATURES

Construction

Heavy-duty die-cast aluminum housing and door. Tool-less entry, hinged removable door for easy maintenance. 3G vibration rated.

Optics

Choice of four patented, high-efficiency AccuLED Optics. Available in Type IIR, IIU, III, IV wide and V square wide the optics are precisely designed to shape the distribution maximizing efficiency and application spacing. Offered standard in 4000K (+/- 275K) CCT and minimum 70 CRI. Optional 3000K, 5000K CCT. For the ultimate level of spill light control, an optional house side shield accessory is available and can be field or factory installed. The house side shield is designed to seamlessly integrate with the T2R, T3, and T4W optics. Optics are IP66 enclosure rated.

Electrical

120-277V 50/60Hz, 347V 60Hz or 480V 60Hz operation. Standard 0-10V dimming and 10kV/10kA common- and differential- mode surge protection available. Thermal management transfers heat away from the LED source for optimal efficiency, light output and lumen maintenance. Ambient operating temperature from -40°C to 40°C; 50°C HA, high ambient, capability available. Standard with three-position tunnel type compression terminal block. Greater than 90% lumen maintenance expected at 60,000 hours.

Mounting

Two-bolt/one-bracket slipfitter with cast-in pipe stop and 2.5° leveling steps. Fixed-in-place bird guard seals around 1-1/4" to 2" (1-5/8" to 2-3/8" O.D.) mounting arms. Optional 15" pole mount arm

available with round pole adapter and mounting hardware included.

Finish

Housing and cast parts finished in five-stage super TGIC polyester powder coat paint, 2.5 mil nominal thickness for superior protection against fade and wear. Consult your lighting representative at Eaton for a complete selection of standard colors.

Warranty

Standard five-year warranty. Optional ten-year warranty, please see your Eaton Streetworks sales representative for more information.

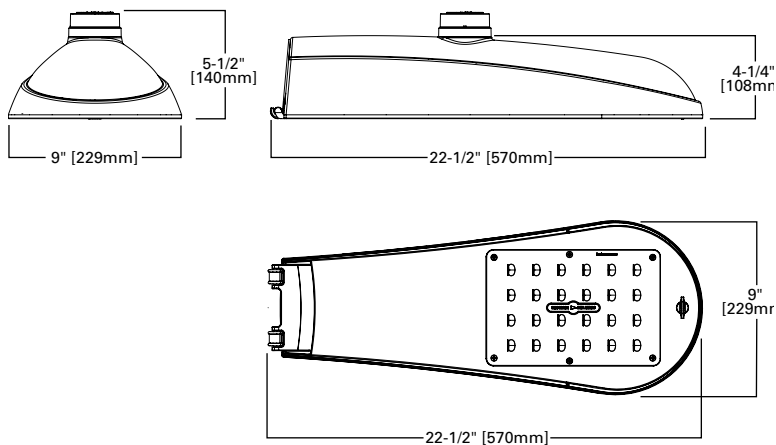


ARCH ARCHEON SMALL

LED

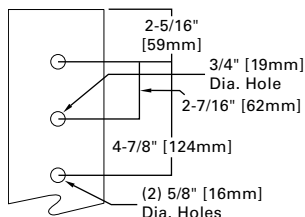
ROADWAY LUMINAIRE

DIMENSIONS

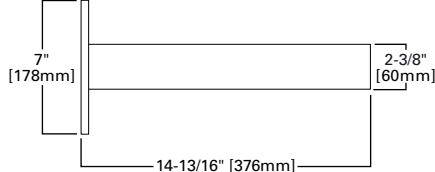


OPTIONAL ARM

TYPE "M" - Drilling Pattern



15" Straight Arm



CERTIFICATION DATA

UL/cUL Wet Location Listed
IP66-Rated Optics
3G Vibration Rated
ISO 9001
DesignLights Consortium® Qualified*
Dark Sky Approved (3000K and warmer CCTs only)

ENERGY DATA

Electronic LED Driver
0.9 Power Factor
<20% Total Harmonic Distortion
120-277V 50/60Hz
-40°C Minimum Temperature Rating
+40°C Ambient Temperature Rating

EPA

Effective Projected Area (Sq. Ft.): 0.5

SHIPPING DATA

Approximate Net Weight:
12 lbs. (5.4 kgs.)

POWER AND LUMENS (AF16 LIGHT ENGINE)

Light Engine - AF16		AF16-20	AF16-30	AF16-40	AF16-50	AF16-60
Power (Watts)		24	32	42	53	63
Wattage Label		20	30	40	50	60
Input Current @ 120V (A)		0.202	0.266	0.346	0.446	0.529
Input Current @ 277V (A)		0.098	0.124	0.158	0.21	0.241
Input Current @ 347V(A)		--	0.101	0.128	0.159	0.187
Input Current @ 480V (A)		--	0.074	0.094	0.126	0.145
Optics						
T2R	4000K/5000K Lumens	3,065	3,890	4,894	6,148	6,900
	Bug Rating	B1-U0-G1	B1-U0-G1	B1-U0-G1	B1-U0-G1	B1-U0-G2
	3000K Lumens	2,898	3,678	4,627	5,813	6,524
	Bug Rating	B1-U0-G1	B1-U0-G1	B1-U0-G1	B1-U0-G1	B1-U0-G1
T2U	4000K/5000K Lumens	3,046	3,867	4,865	6,111	6,859
	Bug Rating	B1-U0-G1	B1-U0-G1	B1-U0-G1	B2-U0-G2	B2-U0-G2
	3000K Lumens	2,880	3,656	4,600	5,778	6,485
	Bug Rating	B1-U0-G1	B1-U0-G1	B1-U0-G1	B2-U0-G2	B2-U0-G2
T3	4000K/5000K Lumens	3,050	3,872	4,871	6,119	6,867
	Bug Rating	B1-U0-G1	B1-U0-G1	B1-U0-G1	B1-U0-G2	B1-U0-G2
	3000K Lumens	2,884	3,660	4,605	5,785	6,492
	Bug Rating	B1-U0-G1	B1-U0-G1	B1-U0-G1	B1-U0-G2	B1-U0-G2
T4W	4000K/5000K Lumens	3,040	3,860	4,855	6,099	6,845
	Bug Rating	B1-U0-G1	B1-U0-G2	B1-U0-G2	B1-U0-G2	B1-U0-G2
	3000K Lumens	2,875	3,649	4,590	5,767	6,471
	Bug Rating	B1-U0-G1	B1-U0-G2	B1-U0-G2	B1-U0-G2	B1-U0-G2
5WQ	4000K/5000K Lumens	3,107	3,943	4,961	6,232	6,994
	Bug Rating	B2-U0-G1	B3-U0-G1	B3-U0-G1	B3-U0-G2	B3-U0-G2
	3000K Lumens	2,937	3,728	4,690	5,892	6,612
	Bug Rating	B2-U0-G1	B3-U0-G1	B3-U0-G1	B3-U0-G2	B3-U0-G2

POWER AND LUMENS (AF24 LIGHT ENGINE)

Light Engine - AF24	AF24-20	AF24-30	AF24-40	AF24-50	AF24-60	AF24-70	AF24-80	AF24-90	AF24-100	
Power (Watts)	21	31	40	54	64	74	83	94	96	
Wattage Label	20	30	40	50	60	70	80	90	100	
Input Current @ 120V (A)	0.179	0.257	0.338	0.450	0.534	0.619	0.695	0.783	0.798	
Input Current @ 277V (A)	--	0.122	0.155	0.212	0.244	0.279	0.312	0.347	0.354	
Input Current @ 347V(A)	--	0.100	0.125	0.161	0.187	0.217	0.244	0.275	0.280	
Input Current @ 480V (A)	--	0.073	0.094	0.127	0.145	0.165	0.184	0.205	0.209	
Optics										
T2R	4000K/5000K Lumens	2,925	4,094	5,283	6,811	7,819	8,718	9,420	10,097	10,201
	Bug Rating	B1-U0-G1	B1-U0-G1	B1-U0-G1	B1-U0-G2	B1-U0-G2	B1-U0-G2	B1-U0-G2	B1-U0-G2	B2-U0-G2
	3000K Lumens	2,531	3,543	4,571	5,894	6,766	7,544	8,152	8,737	8,827
	Bug Rating	B1-U0-G1	B1-U0-G1	B1-U0-G1	B1-U0-G1	B1-U0-G2	B1-U0-G2	B1-U0-G2	B1-U0-G2	B1-U0-G2
T2U	4000K/5000K Lumens	2,914	4,080	5,263	6,787	7,793	8,687	9,388	10,062	10,166
	Bug Rating	B1-U0-G1	B1-U0-G1	B2-U0-G2	B2-U0-G2	B2-U0-G2	B2-U0-G2	B2-U0-G2	B3-U0-G3	B3-U0-G3
	3000K Lumens	2,522	3,530	4,554	5,873	6,743	7,517	8,123	8,707	8,797
	Bug Rating	B1-U0-G1	B1-U0-G1	B1-U0-G1	B2-U0-G2	B2-U0-G2	B2-U0-G2	B2-U0-G2	B2-U0-G2	B2-U0-G2
T3	4000K/5000K Lumens	2,908	4,071	5,253	6,773	7,776	8,670	9,368	10,041	10,145
	Bug Rating	B1-U0-G1	B1-U0-G1	B1-U0-G2	B1-U0-G2	B1-U0-G2	B2-U0-G2	B2-U0-G2	B2-U0-G2	B2-U0-G2
	3000K Lumens	2,517	3,523	4,546	5,861	6,729	7,502	8,107	8,689	8,779
	Bug Rating	B1-U0-G1	B1-U0-G1	B1-U0-G2	B1-U0-G2	B1-U0-G2	B1-U0-G2	B2-U0-G2	B2-U0-G2	B2-U0-G2
T4W	4000K/5000K Lumens	2,890	4,046	5,219	6,731	7,727	8,614	9,309	9,978	10,081
	Bug Rating	B1-U0-G1	B1-U0-G2	B1-U0-G2	B1-U0-G2	B2-U0-G2	B2-U0-G3	B2-U0-G3	B2-U0-G3	B2-U0-G3
	3000K Lumens	2,501	3,501	4,516	5,825	6,687	7,454	8,055	8,634	8,724
	Bug Rating	B1-U0-G1	B1-U0-G2	B1-U0-G2	B1-U0-G2	B2-U0-G2	B2-U0-G2	B2-U0-G3	B2-U0-G3	B2-U0-G3
5WQ	4000K/5000K Lumens	2,972	4,160	5,367	6,921	7,946	8,859	9,573	10,260	10,367
	Bug Rating	B2-U0-G1	B3-U0-G1	B3-U0-G1	B3-U0-G2	B3-U0-G2	B4-U0-G2	B4-U0-G2	B4-U0-G2	B4-U0-G2
	3000K Lumens	2,572	3,600	4,645	5,989	6,876	7,666	8,284	8,879	8,971
	Bug Rating	B2-U0-G1	B3-U0-G1	B3-U0-G1	B3-U0-G2	B3-U0-G2	B3-U0-G2	B4-U0-G2	B4-U0-G2	B4-U0-G2

LUMEN MAINTENANCE

Light Engine	Ambient Temperature	TM-21 Lumen Maintenance (60,000 Hours)	Theoretical L70 (Hours)
AF16-20 to AF16-50 & AF24-20 to AF24-80	Up to 50°C	>95%	416,000
AF16-60 & AF24-90 & AF24-100	Up to 40°C	>90%	205,000

LUMEN MULTIPLIER

Ambient Temperature	Lumen Multiplier
0°C	1.02
10°C	1.01
25°C	1.00
40°C	0.99
50°C	0.97

ORDERING INFORMATION

Sample Number: ARCH-AF16-40-D-U-T2R-4N7-AP

Product Family ^{1,2}	Light Engine ³	Wattage Bucket	Driver	Voltage	Distribution	Options (Add as Suffix)	Color
ARCH=Archeon Small	AF16	20 ⁴ 30 40 50 60	D=Dimming (0-10V)	U=Universal (120-277V) 2=120V ⁵ 8=480V ^{6,7} 9=347V ⁶	T2R=Type II Roadway T2U=Type II Urban T3=Type III T4W=Type IV Wide 5WQ=Type V Square Wide	7027=70 CRI / 2700K ⁸ 8027=80 CRI / 2700K ^{8,9} 7030=70 CRI / 3000K ⁸ 7050=70 CRI / 5000K ⁸ 4=NEMA 3-PIN Twistlock Photocontrol Receptacle ¹⁰ 4N7=NEMA 7-PIN Twistlock Photocontrol Receptacle 10K=10kV UL 1449 Surge Protective Device 10MSP=10kV MOV Surge Protective Device K=Level Indicator HA=50°C High Ambient Temperature ¹¹ HS-ARCH-16=Factory Install ARCH House Side Shield for AF16 ¹² HS-ARCH-24=Factory Install ARCH House Side Shield for AF24 ¹² A15=Arm Included (15" Straight Arm) ¹³	AP=Grey (Standard) BZ=Bronze BK=Black DP=Dark Platinum GM=Graphite Metallic WH=White
	AF24	20 ⁵ 30 40 50 60 70 80 90 100					

Accessories (Order Separately)

- OA/RA1013=Photocontrol Shorting Cap
- OA1223=10kV Surge Module Replacement
- HS-ARCH-16=Field Install ARCH House Side Shield for AF16 ¹²
- HS-ARCH-24=Field Install ARCH House Side Shield for AF24 ¹²
- OA/RA1014=NEMA Photocontrol - 120V
- OA/RA1016=NEMA Photocontrol - Multi-Tap
- OA/RA1027=NEMA Photocontrol - 480V
- OA/RA1201=NEMA Photocontrol - 347V
- A15-XX=Arm (15" Straight Arm) ^{13,14}

- NOTES:**
1. Customer is responsible for engineering analysis to confirm pole and fixture compatibility for all applications. Refer to our white paper WP513001EN for additional support information.
 2. DesignLights Consortium® Qualified. Refer to www.designlights.org Qualified Products List under Family Models for details.
 3. Standard 4000K CCT and 70 CRI.
 4. AF16-20 only available in Universal (120V-277V).
 5. AF24-20 only available in 120V.
 6. Not available with AF16-20 or AF24-20.
 7. Only for use with 480V Wye systems. Per NEC, not for use with ungrounded systems, impedance grounded systems or corner grounded systems (commonly known as Three Phase Three Wire Delta, Three Phase High Leg Delta and Three Phase Corner Grounded Delta systems).
 8. Use dedicated IES files for 2700K, 3000K, and 5000K when performing layouts. These files are published on the ARCH Archeon luminaire product page on the website.
 9. Extended lead times may apply.
 10. If "4" selected, dimming functionality not available, dimming leads will be capped.
 11. Option not available with AF24-90 or AF24-100.
 12. HS-ARCH not available with 5WQ and T2U distribution.
 13. Round pole adapter and mounting hardware included. "M" drill pattern.
 14. Replace XX with color designation.

DESCRIPTION

The Archeon™ Medium LED roadway luminaire delivers all the performance benefits of the latest Eaton LED platforms and technologies with a modern, yet familiar cobrahead form factor. This discrete LED solution with the patented, high-efficiency AccuLED Optics™ system, provides uniform and energy conscious illumination for municipal streets and highways. Our customer focused features include single latch tool-less entry, industry leading surge protection options and superior lumen maintenance and performance, all in an economical design. Available in 13 standard lumen packages per optic.

Catalog #		Type
Project		
Comments		Date
Prepared by		

SPECIFICATION FEATURES

Construction

Heavy-duty die-cast aluminum housing and door. Tool-less entry, hinged removable door for easy access to terminal block, mounting bolts, and optional surge module. 3G vibration rated.

Optics

Choice of four patented, high-efficiency AccuLED Optics . Available in Type IIR, III, IV wide and V square wide the optics are precisely designed to shape the distribution maximizing efficiency and application spacing. Offered standard in 4000K (+/- 275K) CCT and minimum 70 CRI. Optional 2700K (80 CRI), 3000K (70 CRI), 5000K (70 CRI) CCT are available. For the ultimate level of spill light control, an optional house side shield accessory is available and can be field or factory installed. The house side shield is designed to seamlessly integrate with the

T2R, T3, and T4W optics. Optics are IP66 enclosure rated.

Electrical

120-277V 50/60Hz, 347V 60Hz or 480V 60Hz operation. Standard 0-10V dimming with 6kV/3kA and 10kV/10kA common- and differential- mode surge protection available. Thermal management transfers heat away from the LED source for optimal efficiency, light output and lumen maintenance. Ambient operating temperature from -40°C to 40°C; 50°C HA, high ambient, capability available. Standard with three-position tunnel type compression terminal block. Greater than 90% lumen maintenance expected at 50,000 hours.

Mounting

Standard four-bolt/two-bracket slipfitter with cast-in pipe stop and 2.5° leveling steps, and door

tether. Fixed-in-place bird guard seals around 1-1/4" to 2" (1-5/8" to 2-3/8" O.D.) mounting arms. Optional 15" pole mount arm available with round pole adapter and mounting hardware included.

Finish

Housing and cast parts finished in five-stage super TGIC polyester powder coat paint, 2.5 mil nominal thickness for superior protection against fade and wear. Consult your lighting representative at Eaton for a complete selection of standard colors.

Warranty

Standard five-year warranty. Optional ten-year warranty, please see your Eaton Streetworks sales representative for more information.

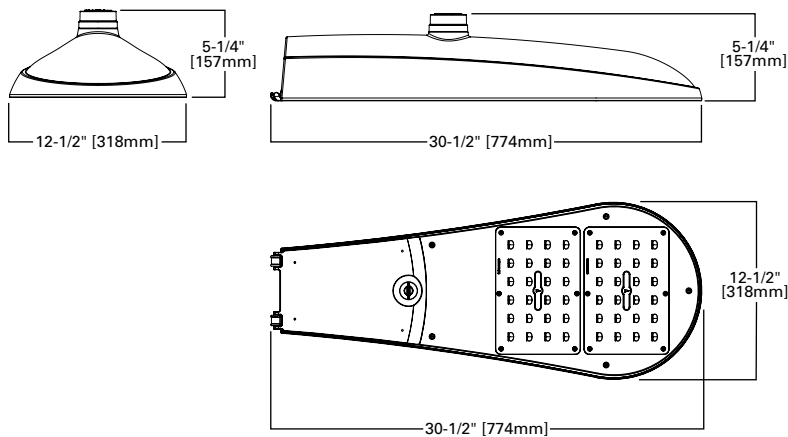


ARCH-M ARCHEON MEDIUM

LED

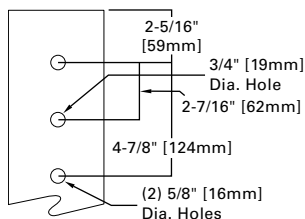
ROADWAY LUMINAIRE

DIMENSIONS

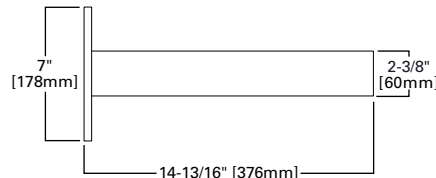


OPTIONAL ARM

TYPE "M" - Drilling Pattern



15" Straight Arm



CERTIFICATION DATA

UL and cUL Wet Location Listed
IP66-Rated Optics
3G Vibration Rated
ISO 9001
DesignLights Consortium® Qualified*
Dark Sky Approved (3000K CCT and warmer only)

ENERGY DATA

Electronic LED Driver
0.9 Power Factor
<20% Total Harmonic Distortion
120-277V 50/60Hz
-40°C Minimum Temperature Rating
+40°C Ambient Temperature Rating

EPA

Effective Projected Area (Sq. Ft.): 0.71

SHIPPING DATA

Approximate Net Weight:
18 lbs. (8.16 kgs.)

POWER AND LUMENS

Light Engine - AF48*	AF48-40	AF48-50	AF48-60	AF48-70	AF48-80	AF48-90	AF48-100	AF48-110	AF48-120	AF48-130	AF48-140	AF48-150	AF48-160	
Power (Watts)	38	48	63	73	83	92	101	111	122	131	141	151	161	
Wattage Label	40	50	60	70	80	90	100	110	120	130	140	150	160	
Current (A) @ 120V	0.318	0.399	0.527	0.609	0.693	0.768	0.846	0.925	1.020	1.100	1.180	1.260	1.340	
Current (A) @ 277V	0.145	0.178	0.243	0.275	0.309	0.342	0.374	0.407	0.453	0.486	0.518	0.553	0.586	
Current (A) @ 347V	--	--	0.188	0.216	0.245	0.271	0.298	0.325	0.371	0.400	0.428	0.458	0.487	
Current (A) @ 480V	--	--	0.146	0.165	0.185	0.203	0.222	0.240	0.286	0.304	0.323	0.344	0.363	
Optics														
T2R	4000K/5000K	5,586	6,941	8,982	10,237	11,449	12,667	13,709	14,663	15,735	16,624	17,490	18,356	19,102
	BUG Rating	B1-U0-G1	B1-U0-G2	B1-U0-G2	B2-U0-G2	B2-U0-G2	B2-U0-G2	B2-U0-G2	B2-U0-G2	B2-U0-G2	B2-U0-G3	B2-U0-G3	B2-U0-G3	B2-U0-G3
	3000K	4,835	6,006	7,772	8,858	9,907	10,961	11,862	12,689	13,616	14,385	15,135	15,884	16,529
T3	4000K/5000K	5,552	6,898	8,925	10,172	11,377	12,587	13,623	14,571	15,637	16,520	17,381	18,241	18,982
	BUG Rating	B1-U0-G2	B1-U0-G2	B2-U0-G2	B2-U0-G2	B2-U0-G2	B2-U0-G2	B2-U0-G3	B2-U0-G3	B2-U0-G3	B2-U0-G3	B3-U0-G3	B3-U0-G3	B3-U0-G3
	3000K	4,804	5,969	7,723	8,803	9,845	10,893	11,788	12,609	13,531	14,295	15,041	15,785	16,426
T4W	4000K/5000K	5,523	6,862	8,878	10,120	11,318	12,523	13,552	14,496	15,556	16,435	17,291	18,147	18,884
	BUG Rating	B1-U0-G2	B1-U0-G2	B2-U0-G3	B2-U0-G3	B2-U0-G3	B2-U0-G3	B2-U0-G3	B3-U0-G3	B3-U0-G3	B3-U0-G3	B3-U0-G3	B3-U0-G4	B3-U0-G4
	3000K	4,779	5,938	7,683	8,757	9,794	10,836	11,727	12,544	13,461	14,221	14,963	15,703	16,341
5WQ	4000K/5000K	5,698	7,079	9,159	10,440	11,676	12,919	13,981	14,955	16,048	16,954	17,838	18,721	19,481
	BUG Rating	B3-U0-G1	B3-U0-G2	B4-U0-G2	B4-U0-G2	B4-U0-G2	B4-U0-G2	B4-U0-G3	B4-U0-G3	B4-U0-G3	B4-U0-G3	B5-U0-G3	B5-U0-G3	B5-U0-G3
	3000K	4,931	6,126	7,926	9,034	10,104	11,179	12,098	12,941	13,887	14,671	15,436	16,200	16,858
T2U	4000K/5000K	5,519	6,857	8,872	10,113	11,310	12,513	13,542	14,485	15,544	16,422	17,278	18,133	18,869
	BUG Rating	B2-U0-G2	B2-U0-G2	B2-U0-G2	B3-U0-G3	B3-U0-G3	B3-U0-G3	B3-U0-G3	B3-U0-G3	B3-U0-G3	B3-U0-G3	B3-U0-G3	B3-U0-G3	B3-U0-G3
	3000K	5,218	6,482	8,388	9,561	10,692	11,831	12,803	13,695	14,696	15,527	16,335	17,144	17,840

LUMEN MAINTENANCE

Light Engine	Ambient Temperature	TM-21 Lumen Maintenance (60,000 Hours)	Theoretical L70 (Hours)
AF48-40 to AF48-160	Up to 50°C	>95%	416,000

LUMEN MULTIPLIER

Ambient Temperature	0°C	10°C	25°C	40°C	50°C
Lumen Multiplier	1.02	1.01	1.00	0.99	0.97

CONTROL OPTIONS

Photocontrol (4 and 4N7)

Photocontrol receptacles (4 and 4N7) provide a flexible solution to enable “dusk-to-dawn” lighting by sensing light levels. Advanced control systems compatible with ANSI C136.41 7-pin standards can be utilized with the 4N7 receptacle.

Dimming Occupancy Sensor (MS/DIM-LXX)

These sensors are factory installed in the luminaire housing. When the MS/DIM-LXX sensor option is selected, the occupancy sensor is connected to a dimming driver and the entire luminaire dims when there is no activity detected. When activity is detected, the luminaire returns to full light output. The MS/DIM sensor is factory preset to dim down to approximately 50 percent power with a time delay of five minutes. These occupancy sensors include an integral photocell that can be activated with the FSIR-100 accessory for “dusk-to-dawn” control or daylight harvesting - the factory preset is OFF. The FSIR-100 is a wireless tool utilized for changing the dimming level, time delay, sensitivity and other parameters. A variety of sensor lens are available to optimize the coverage pattern for mounting heights from 8' - 40'.

LumaWatt Pro Wireless Control and Monitoring (LWR-LW and LWR-LN)

Eaton’s LumaWatt Pro powered by Enlighted is a connected lighting solution that combines a broad selection of energy-efficient LED luminaires with a powerful integrated wireless sensor system. The sensor controls the lighting system in compliance with the latest energy codes and collects valuable data about building performance and use. Software applications turn the granular data into information through energy dashboards and specialized apps that make it simple and help optimize the use of building resources, beyond lighting. For additional details, refer to the LumaWatt Pro product guides.

ORDERING INFORMATION

Sample Number: ARCH-M-AF48-40-D-U-T2R-4N7-AP

Product Family ^{1,2}	Light Engine ³	Wattage Bucket ⁴	Driver	Voltage	Distribution	Options (Add as Suffix)	Color
ARCH-M=Archeon Medium	AF48	40=40W 50=50W 60=60W 70=70W 80=80W 90=90W 100=100W 110=110W 120=120W 130=130W 140=140W 150=150W 160=160W	D=Dimming (0-10V) 5LTD=DALI ⁵	U=Universal (120-277V) 8=480V ^{6,7} 9=347V ⁶	T2R=Type II Roadway T2U=Type II Urban T3=Type III T4W=Type IV Wide 5WQ=Type V Square Wide	7027=70 CRI / 2700K ⁸ 7030=70 CRI / 3000K ⁸ 7050=70 CRI / 5000K ⁸ 8027=80 CRI / 2700K ^{8,9} 4=NEMA 3-PIN Twistlock Photocontrol Receptacle ¹⁰ 4N7=NEMA 7-PIN Twistlock Photocontrol Receptacle 10K=10kV UL 1449 Surge Protective Device 10MSP=10kV MOV Surge Protective Device MS/DIM-L08=Motion Sensor for Dimming Operation, Maximum 8' Mounting Height ^{11,12} MS/DIM-L20=Motion Sensor for Dimming Operation, 9' - 20' Mounting Height ^{11,12} MS/DIM-L40=Motion Sensor for Dimming Operation, 21' - 40' Mounting Height ^{11,12} K=Level Indicator LWR-LW=LumaWatt Pro Wireless Sensor, Wide Lens for 8' - 16' Mounting Heights ^{11,13,14} LWR-LN=LumaWatt Pro Wireless Sensor, Narrow Lens for 16' - 40' Mounting Heights ^{11,13,14} HA=50°C High Ambient Temperature ¹⁵ HS-ARCH=Factory Install ARCH House Side Shield ¹⁶ A15=Arm Included (15" Straight Arm) ¹⁷ IP66=IP66 Rated Housing	AP=Grey (Standard) BZ=Bronze BK=Black DP=Dark Platinum GM=Graphite Metallic WH=White
Accessories (Order Separately)							
OA/RA1013=Photocontrol Shorting Cap		OA/RA1027=NEMA Photocontrol - 480V					
OA1223=10kV Surge Module Replacement		OA/RA1201=NEMA Photocontrol - 347V					
HS-ARCH=Field Install ARCH House Side Shield ^{16,18}		A15-XX=Arm (15" Straight Arm) ^{17,19}					
OA/RA1014=NEMA Photocontrol - 120V		FSIR-100=Wireless Configuration Tool for Occupancy Sensor ²⁰					
OA/RA1016=NEMA Photocontrol - Multi-Tap							

- NOTES:**
- Customer is responsible for engineering analysis to confirm pole and fixture compatibility for all applications. Refer to our white paper WP513001EN for additional support information.
 - DesignLights Consortium® Qualified. Refer to www.designlights.org Qualified Products List under Family Models for details.
 - Standard 4000K CCT and 70 CRI.
 - Nominal wattage values will be labeled on fixture as per ANSI C136.15. For specific fixture wattage, refer to Power and Lumens table.
 - Only available in universal voltage.
 - Not available at 40W or 50W.
 - Only for use with 480V Wye systems. Per NEC, not for use with ungrounded systems, impedance grounded systems or corner grounded systems (commonly known as Three Phase Three Wire Delta, Three Phase High Leg Delta and Three Phase Corner Grounded Delta systems).
 - Use dedicated IES files for 2700K, 3000K and 5000K when performing layouts. These files are published on the Archeon medium luminaire product page on the website.
 - Extended lead times may apply.
 - If "4" selected, dimming functionality not available. Dimming leads will be capped.
 - Only available in Universal voltage.
 - The FSIR-100 accessory is required to adjust parameters.
 - LumaWatt Pro wireless system is not available with photocontrol receptacle (not required)
 - LumaWatt Pro wireless sensors are factory installed and require network components LWP-EM-1, LWP-GW-1, and LWP-PoE8 in appropriate quantities. See website for LumaWatt Pro application information.
 - HA option not available with the following configurations, 347/480V 150W and 160W if paired with HS-ARCH or 5LTD 140-160W.
 - HS-ARCH not available with 5WQ distribution.
 - Round pole adapter and mounting hardware included. "M" drill pattern.
 - Archeon Medium requires two house side shields.
 - Replace XX with color designation.
 - This tool enables adjustment of parameters including high and low modes, sensitivity, time delay, cutoff and more. Consult your lighting representative at Eaton for more information.

DESCRIPTION

The Archeon™ Large LED roadway luminaire delivers all the performance benefits of the latest Eaton LED platforms and technologies with a modern, yet familiar cobrahead form factor. This discrete LED solution with the patented, high-efficiency AccuLED Optics™ system, provides uniform and energy conscious illumination for municipal streets and highways. Our customer focused features include single latch tool-less entry, industry leading surge protection options and superior lumen maintenance and performance, all in an economical design. Available in 20 standard lumen packages per optic.

SPECIFICATION FEATURES

Construction

Heavy-duty die-cast aluminum housing and door. Tool-less entry, hinged removable door for easy access to terminal block, mounting bolts, and optional surge module. 3G vibration rated.

Optics

Choice of four patented, high-efficiency AccuLED Optics . Available in Type IIR, III, IV wide and V square wide the optics are precisely designed to shape the distribution maximizing efficiency and application spacing. Offered standard in 4000K (+/- 275K) CCT and minimum 70 CRI. Optional 3000K, 5000K CCT. For the ultimate level of spill light control, an optional house side shield accessory is available and can be field or factory installed. The house side shield is designed to seamlessly integrate with the T2R,

T3, and T4W optics. Optics are IP66 enclosure rated.

Electrical

120-277V 50/60Hz, 347V 60Hz or 480V 60Hz operation. Standard 0-10V dimming and 10kV/10kA common- and differential- mode surge protection available. Thermal management transfers heat away from the LED source for optimal efficiency, light output and lumen maintenance. Ambient operating temperature from -40°C to 40°C; 50°C HA, high ambient, capability available. Standard with three-position tunnel type compression terminal block. Greater than 90% lumen maintenance expected at 60,000 hours.

Mounting

Four-bolt/two-bracket slipfitter with cast-in pipe stop and 2.5° leveling steps. Fixed-in-place bird guard

Catalog #		Type	
Project			
Comments		Date	
Prepared by			

seals around 1-1/4" to 2" (1-5/8" to 2-3/8" O.D.) mounting arms. Optional 15" pole mount arm available with round pole adapter and mounting hardware included.

Finish

Housing and cast parts finished in five-stage super TGIC polyester powder coat paint, 2.5 mil nominal thickness for superior protection against fade and wear. Consult your lighting representative at Eaton for a complete selection of standard colors.

Warranty

Standard five-year warranty. Optional ten-year warranty, please see your Eaton Streetworks sales representative for more information.



ARCH-L ARCHEON LARGE

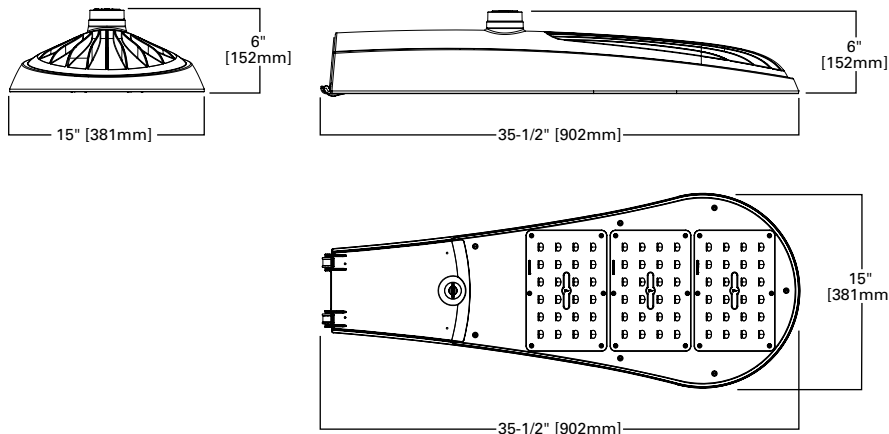
LED

ROADWAY LUMINAIRE



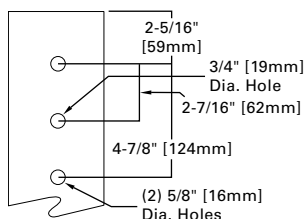
LumenSafe Technology
[CLICK HERE](#)

DIMENSIONS

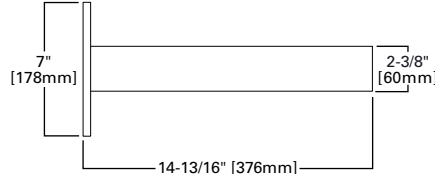


OPTIONAL ARM

TYPE "M" - Drilling Pattern



15" Straight Arm



CERTIFICATION DATA

UL and cUL Wet Location Listed
IP66-Rated Optics
3G Vibration Rated
ISO 9001
DesignLights Consortium® Qualified*
Dark Sky Approved (3000K CCT and warmer only)

ENERGY DATA

Electronic LED Driver
0.9 Power Factor
<20% Total Harmonic Distortion
120-277V 50/60Hz
-40°C Minimum Temperature Rating
+40°C Ambient Temperature Rating

EPA

Effective Projected Area (Sq. Ft.): 0.86

SHIPPING DATA

Approximate Net Weight:
27 lbs. (12.2 kgs.)

POWER AND LUMENS

Light Engine	AF72-90	AF72-100	AF72-110	AF72-120	AF72-130	AF72-140	AF72-150	AF72-160	AF72-170	AF72-180	
Power (Watts)	93	102	113	123	133	143	153	162	173	181	
Wattage Label	90	100	110	120	130	140	150	160	170	180	
Current (A) @ 120V	0.78	0.85	0.94	1.03	1.11	1.19	1.28	1.35	1.44	1.51	
Current (A) @ 277V	0.34	0.39	0.42	0.45	0.49	0.53	0.56	0.59	0.62	0.68	
Current (A) @ 347V	0.27	0.31	0.34	0.37	0.39	0.42	0.45	0.48	0.51	0.55	
Current (A) @ 480V	0.24	0.24	0.26	0.28	0.30	0.32	0.34	0.36	0.38	0.43	
Optics											
T2R	4000K/5000K	13,468	14,502	15,852	17,085	18,313	19,483	20,641	21,606	22,642	23,183
	BUG Rating	B2-U0-G2	B2-U0-G2	B2-U0-G2	B2-U0-G3	B2-U0-G3	B2-U0-G3	B3-U0-G3	B3-U0-G3	B3-U0-G3	B3-U0-G3
	3000K	11,655	12,549	13,717	14,785	15,847	16,860	17,862	18,696	19,593	20,061
	BUG Rating	B2-U0-G2	B2-U0-G2	B2-U0-G2	B2-U0-G2	B2-U0-G3	B2-U0-G3	B2-U0-G3	B3-U0-G3	B3-U0-G3	B3-U0-G3
T3	4000K/5000K	13,375	14,402	15,743	16,968	18,187	19,349	20,499	21,456	22,485	23,024
	BUG Rating	B2-U0-G2	B2-U0-G3	B2-U0-G3	B3-U0-G3	B3-U0-G3	B3-U0-G3	B3-U0-G4	B3-U0-G4	B3-U0-G4	B3-U0-G4
	3000K	11,574	12,463	13,623	14,683	15,738	16,744	17,739	18,567	19,458	19,923
	BUG Rating	B2-U0-G2	B2-U0-G3	B2-U0-G3	B2-U0-G3	B3-U0-G3	B3-U0-G3	B3-U0-G3	B3-U0-G3	B3-U0-G4	B3-U0-G4
T4W	4000K/5000K	13,320	14,343	15,678	16,898	18,111	19,269	20,414	21,367	22,392	22,928
	BUG Rating	B2-U0-G3	B3-U0-G3	B3-U0-G3	B3-U0-G3	B3-U0-G4	B3-U0-G4	B3-U0-G4	B3-U0-G4	B3-U0-G4	B3-U0-G4
	3000K	11,526	12,411	13,566	14,622	15,672	16,674	17,665	18,490	19,377	19,840
	BUG Rating	B2-U0-G3	B2-U0-G3	B3-U0-G3	B3-U0-G3	B3-U0-G3	B3-U0-G4	B3-U0-G4	B3-U0-G4	B3-U0-G4	B3-U0-G4
5WQ	4000K/5000K	13,790	14,849	16,231	17,495	18,751	19,950	21,135	22,122	23,183	23,738
	BUG Rating	B4-U0-G3	B4-U0-G3	B4-U0-G3	B5-U0-G3	B5-U0-G3	B5-U0-G3	B5-U0-G3	B5-U0-G3	B5-U0-G3	B5-U0-G3
	3000K	11,933	12,850	14,045	15,139	16,226	17,263	18,289	19,143	20,061	20,541
	BUG Rating	B4-U0-G2	B4-U0-G3	B4-U0-G3	B4-U0-G3	B5-U0-G3	B5-U0-G3	B5-U0-G3	B5-U0-G3	B5-U0-G3	B5-U0-G3
T2U	4000K/5000K	13,335	14,358	15,695	16,917	18,131	19,291	20,437	21,391	22,417	22,953
	3000K	12,607	13,575	14,838	15,993	17,143	18,239	19,323	20,225	21,194	21,701
	BUG Rating	B3-U0-G3	B3-U0-G3	B3-U0-G3	B3-U0-G3	B3-U0-G3	B3-U0-G3	B3-U0-G3	B3-U0-G3	B3-U0-G3	B3-U0-G3

Light Engine	AF72-190	AF72-200	AF72-210	AF72-220	AF72-230	AF72-240	AF72-250	AF72-260	AF72-270	AF72-280	
Power (Watts)	189	201	211	222	229	242	251	261	273	279	
Wattage Label	190	200	210	220	230	240	250	260	270	280	
Current (A) @ 120V	1.58	1.68	1.76	1.85	1.91	2.01	2.10	2.18	2.27	2.33	
Current (A) @ 277V	0.71	0.75	0.78	0.82	0.85	0.89	0.92	0.96	0.99	1.02	
Current (A) @ 347V	0.58	0.61	0.64	0.67	0.70	0.73	0.76	0.78	0.81	0.84	
Current (A) @ 480V	0.44	0.46	0.48	0.50	0.52	0.54	0.57	0.58	0.60	0.62	
Optics											
T2R	4000K/5000K	23,991	25,153	25,924	26,832	27,505	28,435	29,089	29,778	30,594	31,049
	BUG Rating	B3-U0-G3	B3-U0-G3	B3-U0-G3	B3-U0-G3	B3-U0-G4	B3-U0-G4	B3-U0-G4	B3-U0-G4	B3-U0-G4	B3-U0-G4
	3000K	20,761	21,766	22,433	23,218	23,801	24,606	25,171	25,768	26,474	26,868
	BUG Rating	B3-U0-G3	B3-U0-G3	B3-U0-G3	B3-U0-G3	B3-U0-G3	B3-U0-G3	B3-U0-G4	B3-U0-G4	B3-U0-G4	B3-U0-G4
T3	4000K/5000K	23,827	24,980	25,745	26,647	27,316	28,240	28,888	29,572	30,384	30,835
	BUG Rating	B3-U0-G4	B3-U0-G4	B3-U0-G4	B3-U0-G4	B3-U0-G4	B3-U0-G4	B3-U0-G4	B3-U0-G4	B3-U0-G4	B3-U0-G4
	3000K	20,618	21,616	22,278	23,059	23,637	24,437	24,998	25,590	26,292	26,683
	BUG Rating	B3-U0-G4	B3-U0-G4	B3-U0-G4	B3-U0-G4	B3-U0-G4	B3-U0-G4	B3-U0-G4	B3-U0-G4	B3-U0-G4	B3-U0-G4
T4W	4000K/5000K	23,727	24,876	25,638	26,536	27,202	28,122	28,768	29,450	30,258	30,707
	BUG Rating	B3-U0-G4	B3-U0-G4	B3-U0-G4	B3-U0-G4	B3-U0-G4	B3-U0-G5	B3-U0-G5	B3-U0-G5	B3-U0-G5	B3-U0-G5
	3000K	20,532	21,527	22,186	22,963	23,539	24,335	24,894	25,484	26,183	26,572
	BUG Rating	B3-U0-G4	B3-U0-G4	B3-U0-G4	B3-U0-G4	B3-U0-G4	B3-U0-G4	B3-U0-G4	B3-U0-G5	B3-U0-G5	B3-U0-G5
5WQ	4000K/5000K	24,565	25,755	26,544	27,473	28,163	29,115	29,784	30,490	31,326	31,791
	BUG Rating	B5-U0-G3	B5-U0-G4	B5-U0-G4	B5-U0-G4	B5-U0-G4	B5-U0-G4	B5-U0-G4	B5-U0-G4	B5-U0-G4	B5-U0-G4
	3000K	21,257	22,287	22,969	23,774	24,370	25,195	25,773	26,384	27,107	27,510
	BUG Rating	B5-U0-G3	B5-U0-G3	B5-U0-G3	B5-U0-G4	B5-U0-G4	B5-U0-G4	B5-U0-G4	B5-U0-G4	B5-U0-G4	B5-U0-G4
T2U	4000K/5000K	23,753	24,904	25,667	26,565	27,232	28,153	28,800	29,482	30,291	30,741
	3000K	22,458	23,545	24,266	25,117	25,747	26,618	27,230	27,874	28,639	29,064
	BUG Rating	B3-U0-G3	B3-U0-G3	B4-U0-G4	B4-U0-G4	B4-U0-G4	B4-U0-G4	B4-U0-G4	B4-U0-G4	B4-U0-G4	B4-U0-G4

LUMEN MAINTENANCE

Light Engine	Ambient Temperature	TM-21 Lumen Maintenance (60,000 Hours)	Theoretical L70 (Hours)
AF72-90 to AF72-240	Up to 50°C	>95%	416,000
AF72-250 to AF72-280	Up to 40°C	>90%	205,000

LUMEN MULTIPLIER

Ambient Temperature	0°C	10°C	25°C	40°C	50°C
Lumen Multiplier	1.02	1.01	1.00	0.99	0.97

CONTROL OPTIONS

Photocontrol (4 and 4N7)

Photocontrol receptacles (4 and 4N7) provide a flexible solution to enable “dusk-to-dawn” lighting by sensing light levels. Advanced control systems compatible with ANSI C136.41 7-pin standards can be utilized with the 4N7 receptacle.

Dimming Occupancy Sensor (MS/DIM-LXX)

These sensors are factory installed in the luminaire housing. When the MS/DIM-LXX sensor option is selected, the occupancy sensor is connected to a dimming driver and the entire luminaire dims when there is no activity detected. When activity is detected, the luminaire returns to full light output. The MS/DIM sensor is factory preset to dim down to approximately 50 percent power with a time delay of five minutes. These occupancy sensors include an integral photocell that can be activated with the FSIR-100 accessory for “dusk-to-dawn” control or daylight harvesting - the factory preset is OFF. The FSIR-100 is a wireless tool utilized for changing the dimming level, time delay, sensitivity and other parameters. A variety of sensor lens are available to optimize the coverage pattern for mounting heights from 8' - 40'.

LumaWatt Pro Wireless Control and Monitoring (LWR-LW and LWR-LN)

Eaton’s LumaWatt Pro powered by Enlighted is a connected lighting solution that combines a broad selection of energy-efficient LED luminaires with a powerful integrated wireless sensor system. The sensor controls the lighting system in compliance with the latest energy codes and collects valuable data about building performance and use. Software applications turn the granular data into information through energy dashboards and specialized apps that make it simple and help optimize the use of building resources, beyond lighting. For additional details, refer to the LumaWatt Pro product guides.

LumenSafe Integrated Network Security Camera (LD)

Eaton brings ease of camera deployment to a whole new level. No additional wiring is needed beyond providing line power to the luminaire. A variety of networking options allows security integrators to design the optimal solution for active surveillance. As the ideal solution to meet the needs for active surveillance, the LumenSafe integrated network camera is a streamlined, outdoor-ready fixed dome that provides HDTV 1080p video. This IP camera is optimally designed for deployment in the video management system or security software platform of choice.

ORDERING INFORMATION

Sample Number: ARCH-L-AF72-90-D-U-T2R-4N7-AP


Product Family ¹	Light Engine ²	Wattage Bucket ³	Driver	Voltage	Distribution	Options (Add as Suffix)	Color
ARCH-L=Archeon Large	AF72	90=90W 100=100W 110=110W 120=120W 130=130W 140=140W 150=150W 160=160W 170=170W 180=180W 190=190W 200=200W 210=210W 220=220W 230=230W 240=240W 250=250W 260=260W 270=270W 280=280W	D=Dimming (0-10V) 5LTD=DALI ⁴	U=Universal (120-277V) 8=480V ⁵ 9=347V	T2R=Type II Roadway T2U=Type II Urban T3=Type III T4W=Type IV Wide 5WQ=Type V Square Wide	7027=70 CRI / 2700K ⁶ 7030=70 CRI / 3000K ⁶ 7050=70 CRI / 5000K ⁶ 4=NEMA 3-PIN Twistlock Photocontrol Receptacle ⁷ 4N7=NEMA 7-PIN Twistlock Photocontrol Receptacle 10K=10kV UL 1449 Surge Protective Device 10MSP=10kV MOV Surge Protective Device MS/DIM-L08=Motion Sensor for Dimming Operation, Maximum 8' Mounting Height ^{4,8} MS/DIM-L20=Motion Sensor for Dimming Operation, 9' - 20' Mounting Height ^{4,8} MS/DIM-L40=Motion Sensor for Dimming Operation, 21' - 40' Mounting Height ^{4,8} K=Level Indicator LWR-LW=LumaWatt Pro Wireless Sensor, Wide Lens for 8' - 16' Mounting Heights ^{4,9,10} LWR-LN=LumaWatt Pro Wireless Sensor, Narrow Lens for 16' - 40' Mounting Heights ^{4,9,10} HA=50°C High Ambient Temperature ¹¹ HS-ARCH=Factory Install ARCH House Side Shield ¹² A15=Arm Included (15" Straight Arm) ¹³ IP66=IP66 Rated Housing	AP=Grey (Standard) BZ=Bronze BK=Black DP=Dark Platinum GM=Graphite Metallic WH=White

Accessories (Order Separately)

- OA/RA1013=Photocontrol Shorting Cap
- OA1223=10kV Surge Module Replacement
- HS-ARCH=Field Install ARCH House Side Shield^{12, 14}
- OA/RA1014=NEMA Photocontrol - 120V
- OA/RA1016=NEMA Photocontrol - Multi-Tap
- OA/RA1027=NEMA Photocontrol - 480V
- OA/RA1201=NEMA Photocontrol - 347V
- A15-XX=Arm (15" Straight Arm)^{13, 15}
- FSIR-100=Wireless Configuration Tool for Occupancy Sensor¹⁶

- NOTES:**
1. Customer is responsible for engineering analysis to confirm pole and fixture compatibility for all applications. Refer to our white paper WP513001EN for additional support information.
 2. Standard 4000K CCT and 70 CRI.
 3. Nominal wattage values will be labeled on fixture as per ANSI C136.15. For specific fixture wattage, refer to Power and Lumen tables.
 4. Only available in universal voltage.
 5. Only for use with 480V Wye systems. Per NEC, not for use with ungrounded systems, impedance grounded systems or corner grounded systems (commonly known as Three Phase Three Wire Delta, Three Phase High Leg Delta and Three Phase Corner Grounded Delta systems).
 6. Use dedicated IES files for 2700K, 3000K and 5000K when performing layouts. These files are published on the ARCH-L Archeon luminaire product page on the website.
 7. If "4" selected, dimming functionality not available, dimming leads will be capped.
 8. The FSIR-100 accessory is required to adjust parameters.
 9. LumaWatt Pro wireless system is not available with photocontrol receptacle (not required).
 10. LumaWatt Pro wireless sensors are factory installed and require network components LWP-EM-1, LWP-GW-1, and LWP-PoE8 in appropriate quantities. See website for LumaWatt Pro application information.
 11. HA option not available with the following configurations, 250W+, 210W+ if paired with HSS, or 5TLD 150W+.
 12. HS-ARCH not available with 5WQ distribution, 5LTD 270W+.
 13. Round pole adapter and mounting hardware included. "M" drill pattern.
 14. Requires three house side shields.
 15. Replace XX with color designation.
 16. This tool enables adjustment of parameters including high and low modes, sensitivity, time delay, cutoff and more. Consult your lighting representative at Eaton for more information.

LumenSafe Integrated Network Security Camera Technology Options (Add as Suffix)

Product Family	Camera Type	Data Backhaul
L=LumenSafe Technology* 	D=Dome Camera, Standard H=Dome Camera, Hi-Res Z=Dome Camera, Remote PTZ	C=Cellular, Customer Installed SIM Card A=Cellular, Factory Installed AT&T SIM Card V=Cellular, Factory Installed Verizon SIM Card S=Cellular, Factory Installed Sprint SIM Card W=Wi-Fi Networking w/ Omni-Directional Antenna E=Ethernet Networking

*Consult LumenSafe system pages for additional details and compatibility.