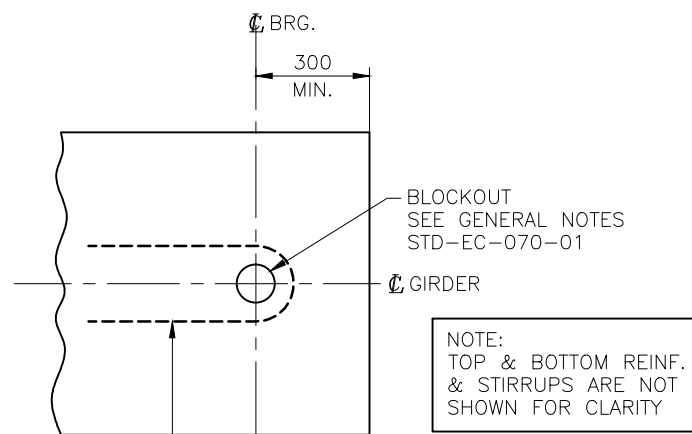


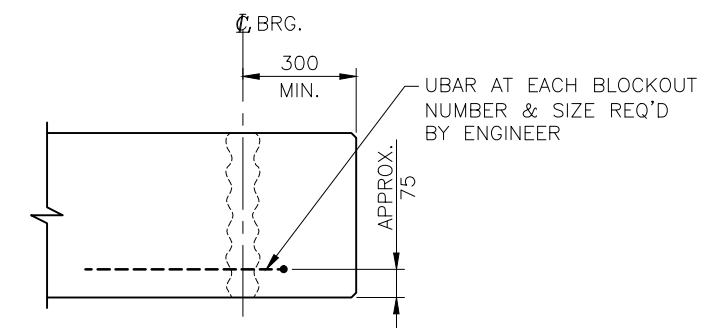
PLAN - SKEWED GIRDER END DETAIL

1:20



PLAN - SQUARE GIRDER END DETAIL

1:20



ELEVATION - GIRDER END DETAIL

1:20

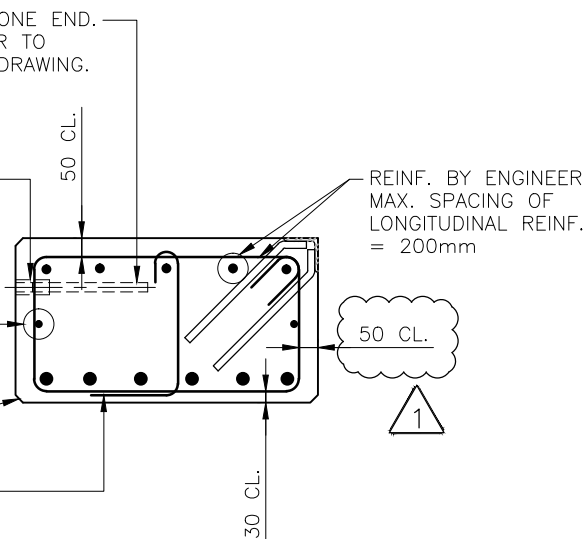
25M x 430 LG. REINF. THREADED ONE END. FOR NUMBER AND LOCATION, REFER TO APPLICABLE GUARDRAIL STANDARD DRAWING.

25Ø GALV. COUPLER MIN. TENSILE STRENGTH = 69 kN

MIN. 1-15M E/F

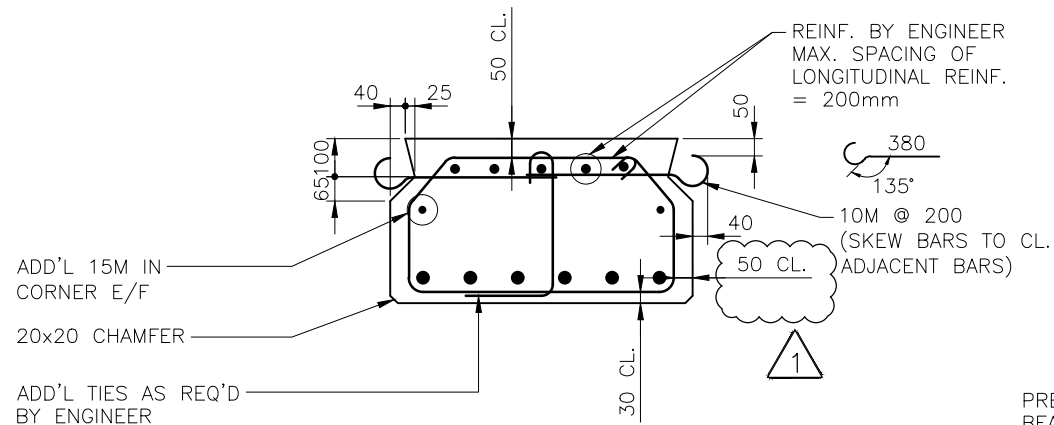
20x20 CHAMFER

ADD'L TIES AS REQ'D BY ENGINEER



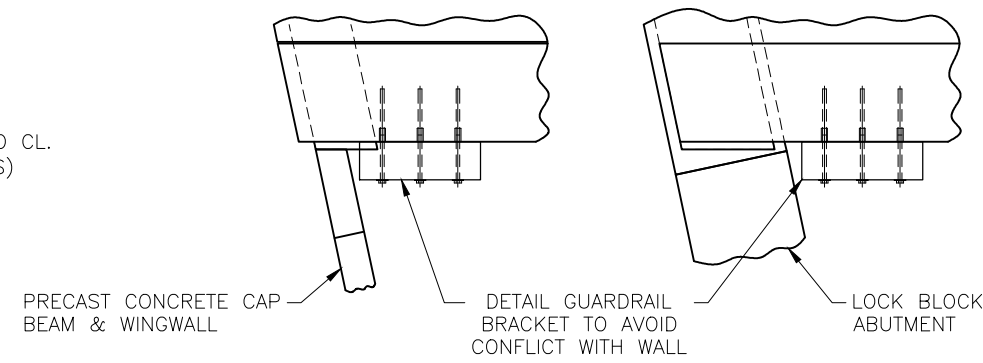
EXTERIOR GIRDER DETAIL (WELDED SHEAR CONNECTION)

1:20



INTERIOR GIRDER DETAIL (GROUTED SHEAR CONNECTION)

1:20




SKEWED SLAB END GUARDRAIL BRACKET DETAIL

1:50

**ASSUME NOT TO SCALE  
NOT FOR CONSTRUCTION**

SCALE AS SHOWN		Designed J.H. Date MAR 2010	
		Checked D.L.H. Date MAR 2010	
		Drawn W.R. Date MAR 2010	
Rev	Date	DESCRIPTION	Init
1	08/10/16	REVISED DIMENSIONS	
REVISIONS			

 <b>MINISTRY OF FORESTS &amp; RANGE</b> ENGINEERING BRANCH, FIELD OPERATIONS DIVISION	
STANDARD BRIDGE DRAWING	
STANDARD PRECAST REINFORCED CONCRETE SLAB BRIDGE SLAB DETAILS - SHEET 1	
ORIGINAL SIGNED and SEALED BY: JULIEN HENLEY	APPROVED BY:
DESIGN ENGINEER	MOF ENGINEER
DATE JULIEN HENLEY	DATE
FILE No.	DRAWING No.
	STD-EC-070-03