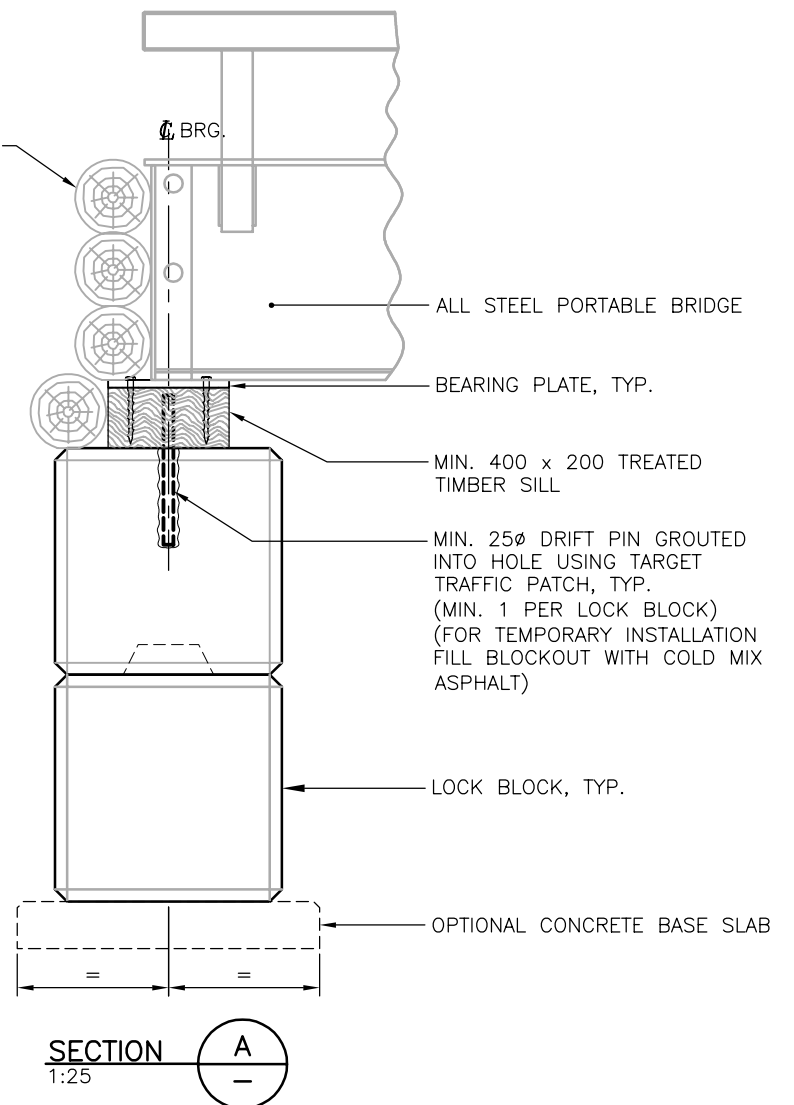




1/2 LOCK BLOCK ABUTMENT ELEVATION
1:50

BALLAST WALL AS PRESCRIBED BY ENGINEER AS A FUNCTION OF IN-PLACE LIFE; MAY CONSIST OF LOCK BLOCK OR TREATED TIMBER FOR MORE PERMANENT INSTALLATION; SOUND LOGS (PREFERABLY CEDAR FOR TEMPORARY INSTALLATIONS)



SECTION A
1:25

**ASSUME NOT TO SCALE
NOT FOR CONSTRUCTION**

DESIGN ENGINEER	0 2 4 6 8 10 meters	 Ministry of Forests, Lands and Natural Resource Operations ENGINEERING BRANCH																				
	 SCALE AS SHOWN BAR LENGTH IS 40mm ON ORIGINAL.																					
Checked JULIEN HENLEY Date 14/04/01	Drawn ERFUN FARJOO Date 14/04/01	STANDARD BRIDGE DRAWING DRAWING TITLE: CONCEPTUAL LOCK BLOCK ABUTMENT FOR ASP BRIDGES																				
<table border="1"> <thead> <tr> <th>Rev</th> <th>Date</th> <th>DESCRIPTION</th> <th>Init</th> </tr> </thead> <tbody> <tr><td> </td><td> </td><td> </td><td> </td></tr> <tr><td> </td><td> </td><td> </td><td> </td></tr> <tr><td> </td><td> </td><td> </td><td> </td></tr> <tr><td> </td><td> </td><td> </td><td> </td></tr> </tbody> </table>	Rev		Date	DESCRIPTION	Init																	DESIGNED BY: HELEN DU, P.ENG.
Rev	Date	DESCRIPTION	Init																			
PROFESSIONAL SEAL	REVISIONS	COORDINATING REGISTERED PROFESSIONAL:	FLNR ENGINEER:	FILE No.	DRAWING No. STD-EC-050-12																	