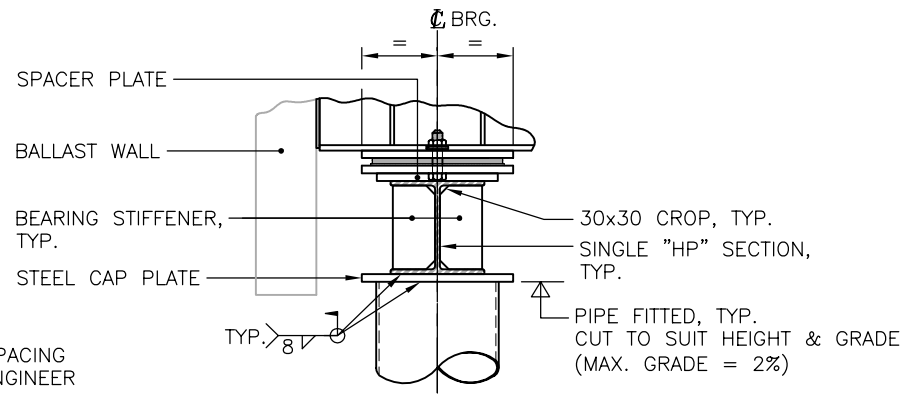
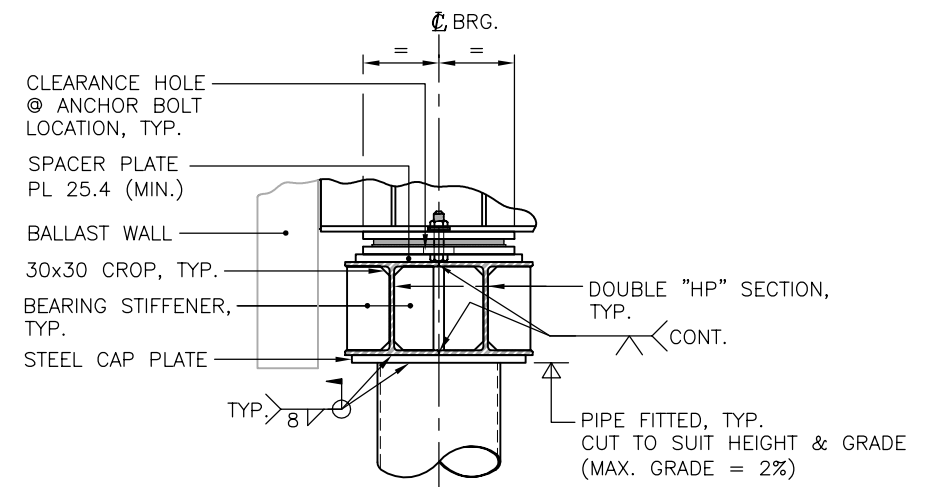


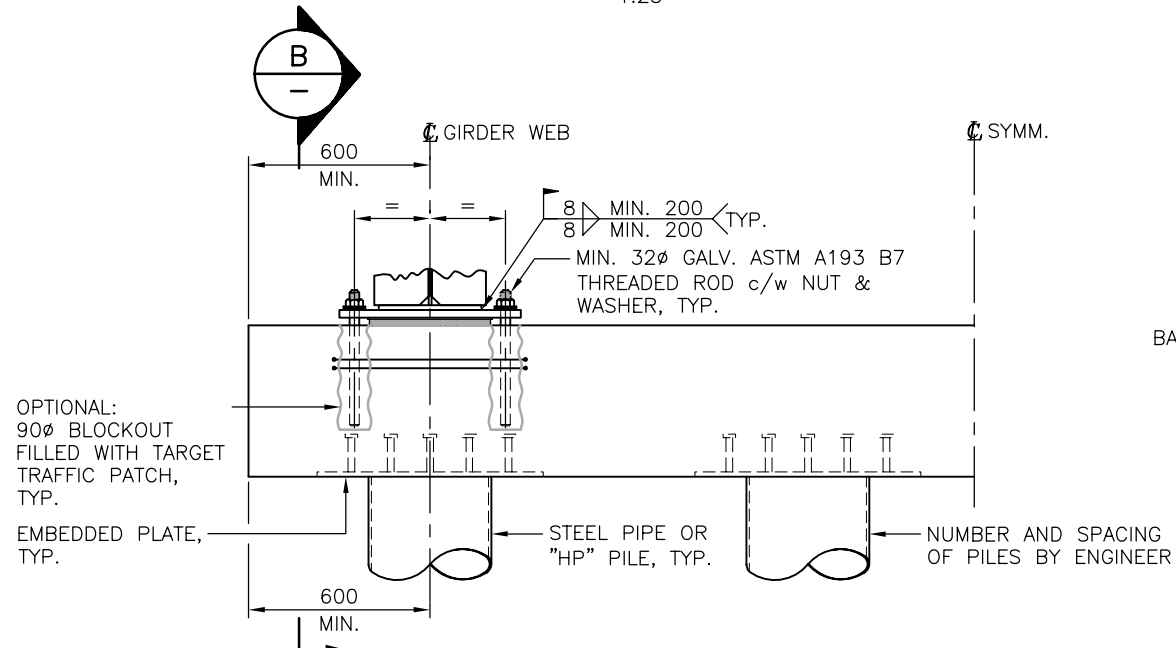
1/2 STEEL CAP BEAM ELEVATION
1:25



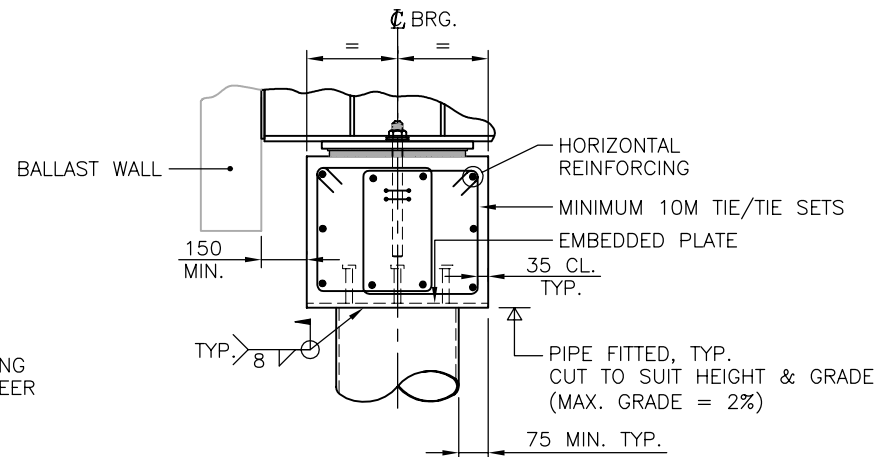
SINGLE STEEL CAP BEAM (A)
1:25



DOUBLE STEEL CAP BEAM (A)
1:25



1/2 CONCRETE CAP BEAM ELEVATION
1:25

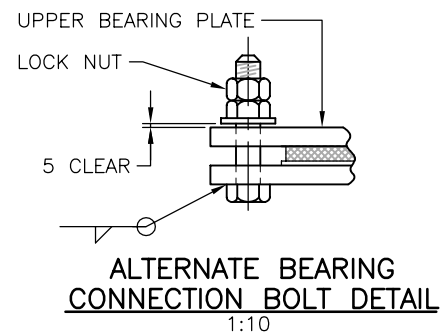
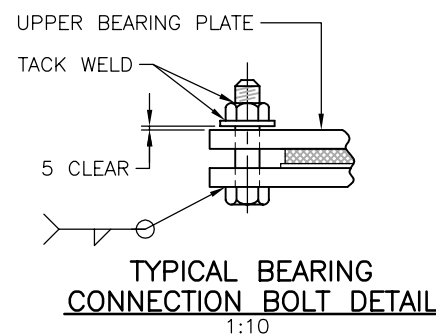



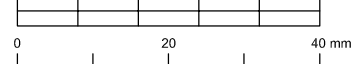
SECTION B
1:25

**ASSUME NOT TO SCALE
NOT FOR CONSTRUCTION**

NOTES:

1. ACCOMMODATE GRADES IN EXCESS OF 2% WITH A BEVEL PLATE OR SLOPED CAP BEAM.
2. SEE DWG. STD-EC-050-05 FOR BEARING DETAILS.



DESIGN ENGINEER	0 2 4 6 8 10 meters	 Ministry of Forests, Lands and Natural Resource Operations ENGINEERING BRANCH																				
	 SCALE AS SHOWN BAR LENGTH IS 40mm ON ORIGINAL.																					
PROFESSIONAL SEAL	Checked JULIEN HENLEY Date 14/04/01	STANDARD BRIDGE DRAWING DRAWING TITLE: CONCEPTUAL ABUTMENT CAP FOR STEEL BRIDGES																				
	Drawn ERFUN FARJOO Date 14/04/01																					
<table border="1"> <thead> <tr> <th>Rev</th> <th>Date</th> <th>DESCRIPTION</th> <th>Init</th> </tr> </thead> <tbody> <tr> <td>1</td> <td>15/03/31</td> <td>REVISED NOTES</td> <td></td> </tr> <tr> <td> </td> <td> </td> <td> </td> <td> </td> </tr> <tr> <td> </td> <td> </td> <td> </td> <td> </td> </tr> <tr> <td> </td> <td> </td> <td> </td> <td> </td> </tr> </tbody> </table>		Rev	Date	DESCRIPTION	Init	1	15/03/31	REVISED NOTES														DESIGNED BY: HELEN DU, P.ENG.
Rev	Date	DESCRIPTION	Init																			
1	15/03/31	REVISED NOTES																				
REVISIONS		APPROVED BY: _____ COORDINATING REGISTERED PROFESSIONAL: _____ FLNR ENGINEER:																				
FILE No.		DRAWING No. STD-EC-050-09																				