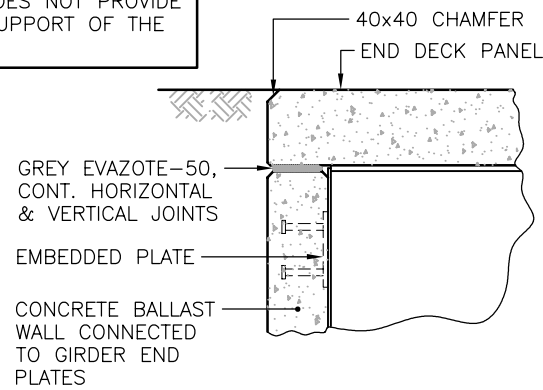
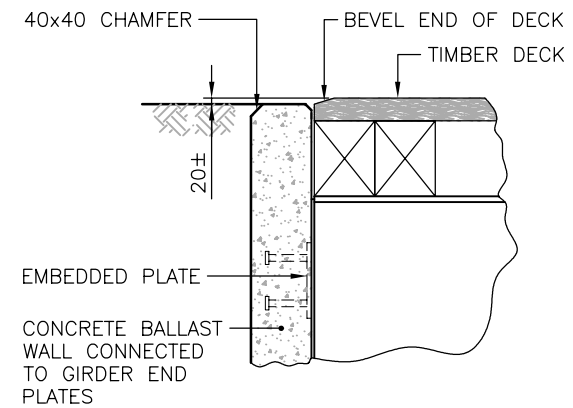


**DECK BESIDE BALLAST WALL CONNECTION DETAIL**  
1:25

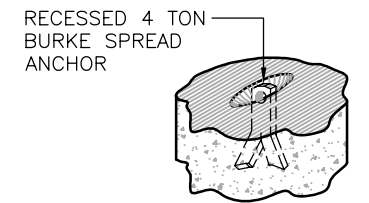
NOTE:  
THIS DETAIL DOES NOT PROVIDE STRUCTURAL SUPPORT OF THE DECK EDGE.



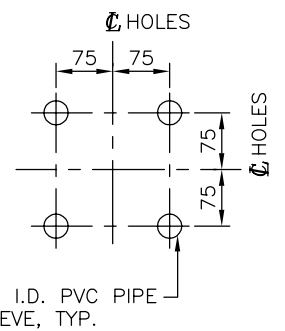
**DECK OVER BALLAST WALL CONNECTION DETAIL**  
1:25



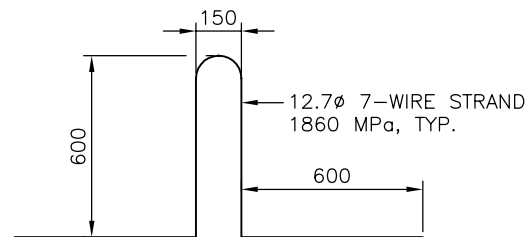
**TIMBER DECK BESIDE BALLAST WALL CONNECTION DETAIL**  
1:25



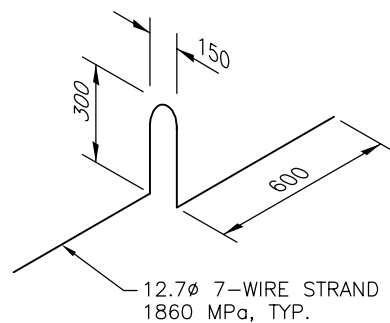
**ALTERNATE LIFTING POINT DETAIL**  
N.T.S.



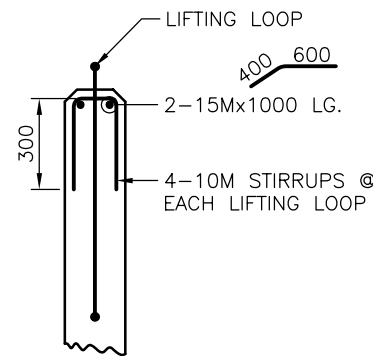
**HOLE SPACING DETAIL**  
1:10



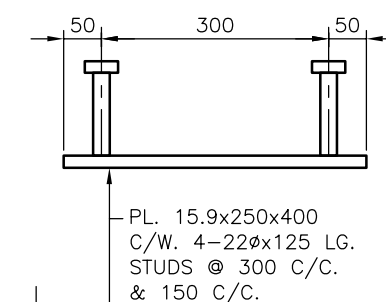
**LIFTING LOOP DETAIL**  
N.T.S.



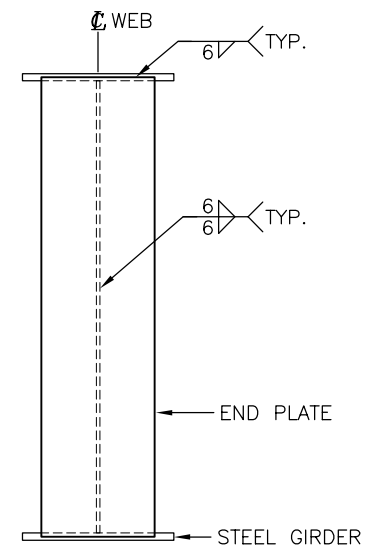
**LIFTING LOOP (REAR FACE) DETAIL**  
N.T.S.



**LIFTING LOOP DETAIL**  
1:25

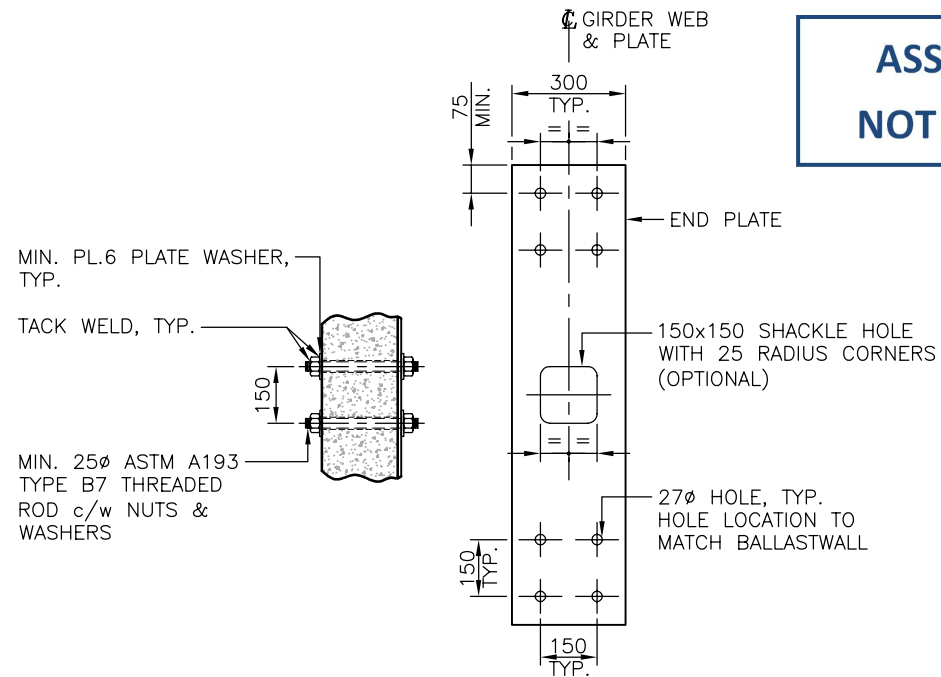


**EMBEDDED PLATE DETAIL**  
1:10



**GIRDER END PLATE CONNECTION DETAILS**  
1:20

**ASSUME NOT TO SCALE  
NOT FOR CONSTRUCTION**



**ALT. BOLTED CONN. & END PLATE HOLES DETAILS**  
1:20

DESIGN ENGINEER	0 2 4 6 8 10 meters	Ministry of Forests, Lands and Natural Resource Operations ENGINEERING BRANCH																			
	0 20 40 mm																				
	Checked JULIEN HENLEY Date 14/04/01 Drawn ERFUN FARJOO Date 14/04/01	<b>STANDARD BRIDGE DRAWING</b> DRAWING TITLE: CONCRETE BALLAST WALL FOR STEEL BRIDGES - SHEET 2																			
	<table border="1"> <thead> <tr> <th>Rev</th> <th>Date</th> <th>DESCRIPTION</th> <th>Init</th> </tr> </thead> <tbody> <tr><td> </td><td> </td><td> </td><td> </td></tr> <tr><td> </td><td> </td><td> </td><td> </td></tr> <tr><td> </td><td> </td><td> </td><td> </td></tr> <tr><td> </td><td> </td><td> </td><td> </td></tr> </tbody> </table>		Rev	Date	DESCRIPTION	Init															
Rev	Date	DESCRIPTION	Init																		
	DESIGNED BY: HELEN DU, P.ENG.	APPROVED BY:																			
	COORDINATING REGISTERED PROFESSIONAL: HELEN DU, P.ENG.	FLNR ENGINEER:																			
	FILE No.	DRAWING No. STD-EC-050-04																			