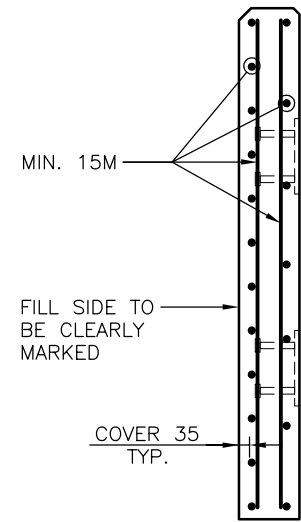
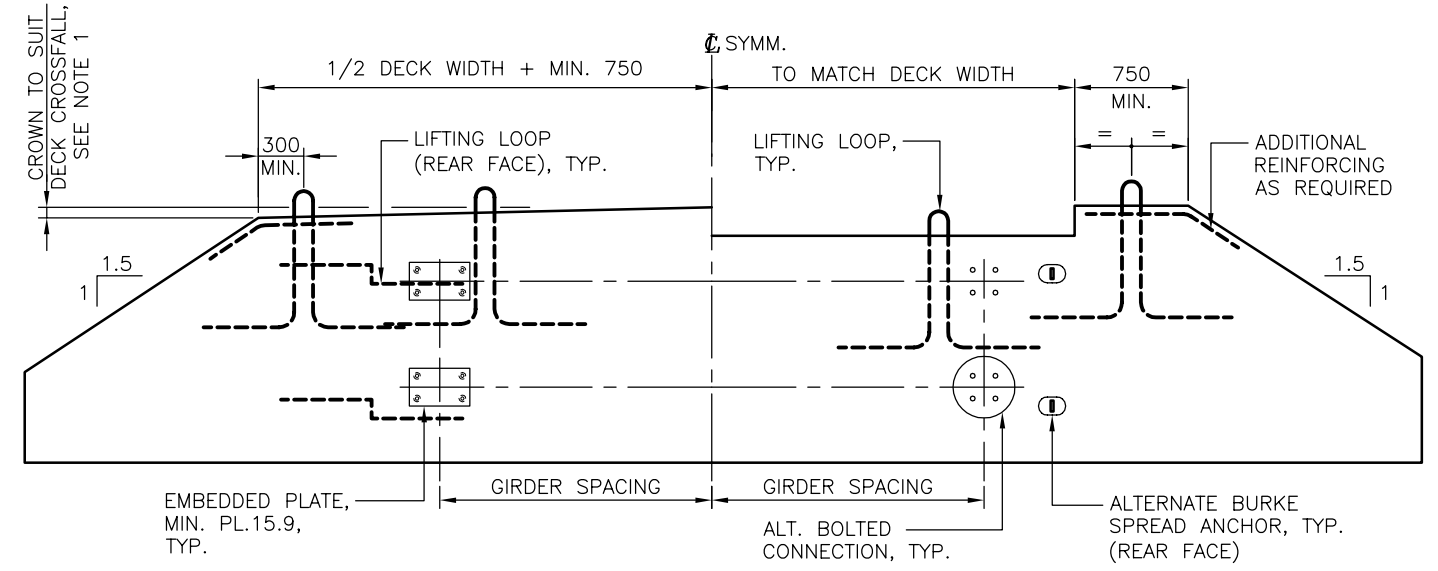


CONNECTION DETAILS

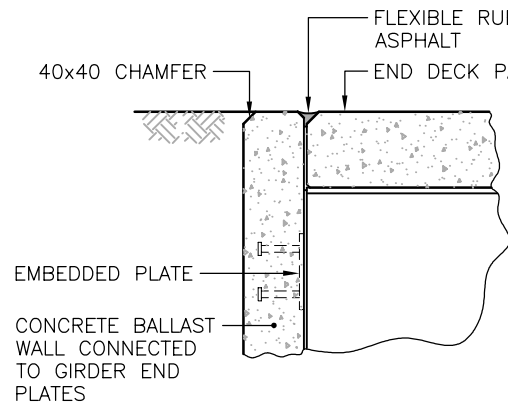


REINFORCEMENT DETAILS

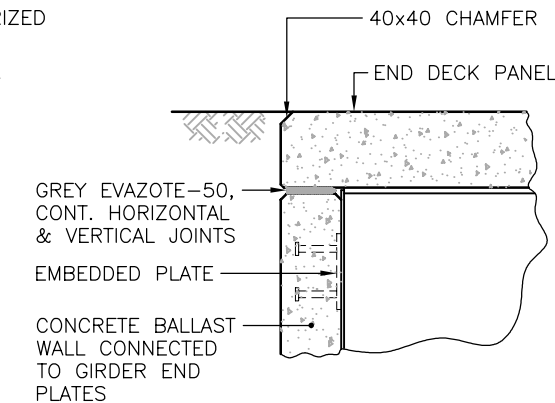
BALLAST WALL DETAILS
1:25



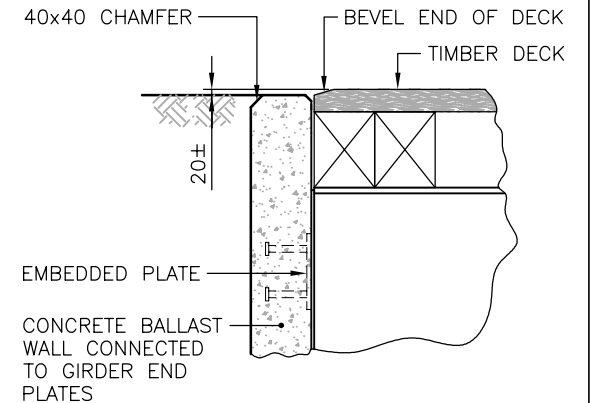
BALLAST WALL ELEVATION
1:50



DECK BESIDE BALLAST WALL CONNECTION DETAIL
1:25



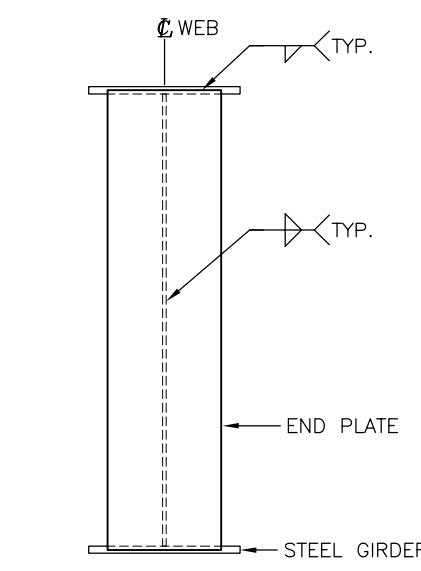
DECK OVER BALLAST WALL CONNECTION DETAIL
1:25



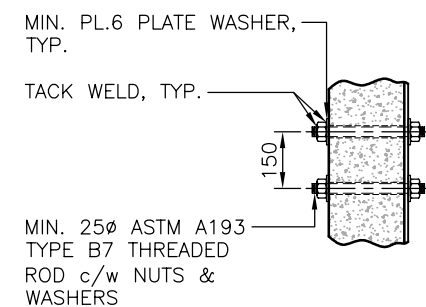
TIMBER DECK BESIDE BALLAST WALL CONNECTION DETAIL
1:25

**ASSUME NOT TO SCALE
NOT FOR CONSTRUCTION**

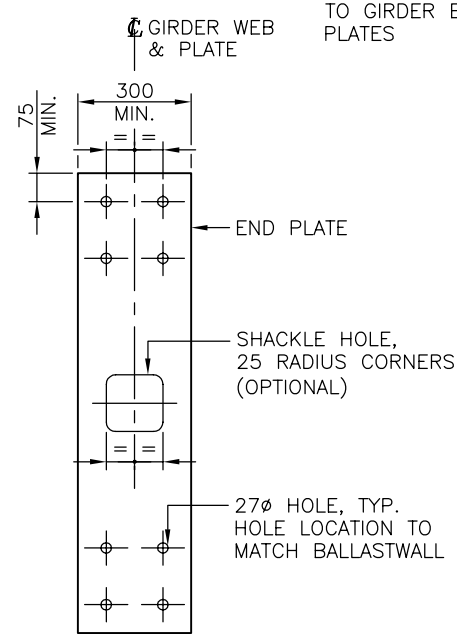
- NOTES:**
1. TOP OF THE DECK IS FLAT FOR TIMBER DECK BRIDGE.
 2. DECK OVER BALLAST WALL CONNECTION DETAIL DOES NOT PROVIDE STRUCTURAL SUPPORT OF THE DECK EDGE. THE CONNECTION SHALL BE DESIGNED BY THE ENGINEER TO OBTAIN DECK EDGE STRUCTURAL SUPPORT IF REQUIRED.



GIRDER END PLATE CONNECTION DETAILS
1:20



ALT. BOLTED CONN. & END PLATE HOLES DETAILS
1:20



DESIGN ENGINEER	0 2 4 6 8 10 meters	<p>SCALE AS SHOWN</p>	
	0 20 40 mm		
BAR LENGTH IS 40mm ON ORIGINAL.			
Checked JULIEN HENLEY Date 14/04/01			
Drawn ERFUN FARJOO Date 14/04/01			
Rev	Date	DESCRIPTION	Init
REVISIONS			

Ministry of Forests, Lands and Natural Resource Operations
 ENGINEERING BRANCH

STANDARD BRIDGE DRAWING

DRAWING TITLE:
CONCEPTUAL CONCRETE BALLAST WALL FOR STEEL BRIDGES

DESIGNED BY:
HELEN DU, P.ENG.

APPROVED BY:

COORDINATING REGISTERED PROFESSIONAL:

FLNR ENGINEER:

FILE No.

DRAWING No.
STD-EC-050-02