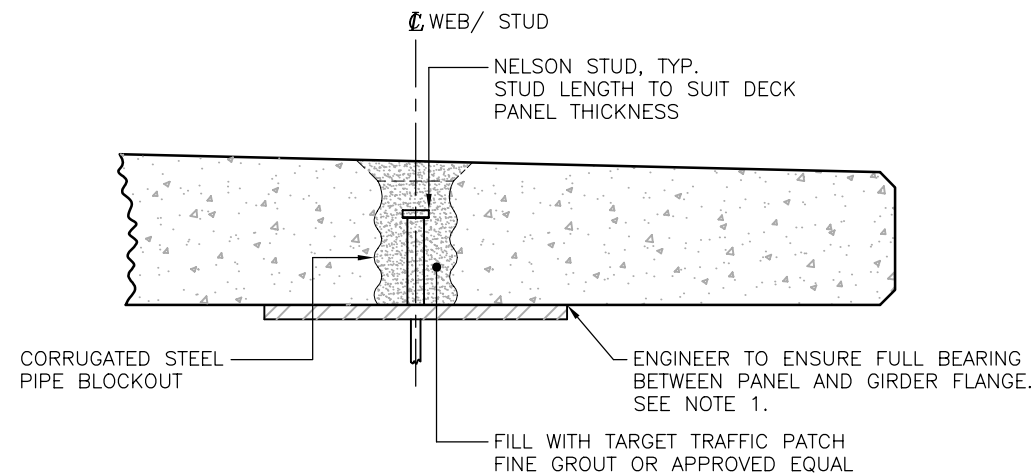
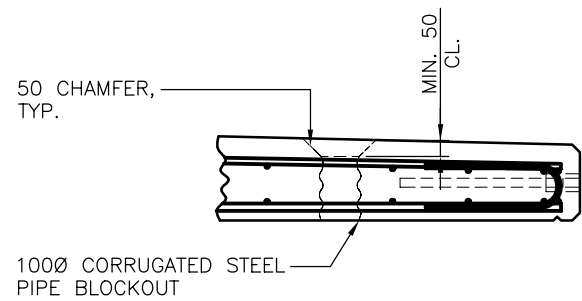


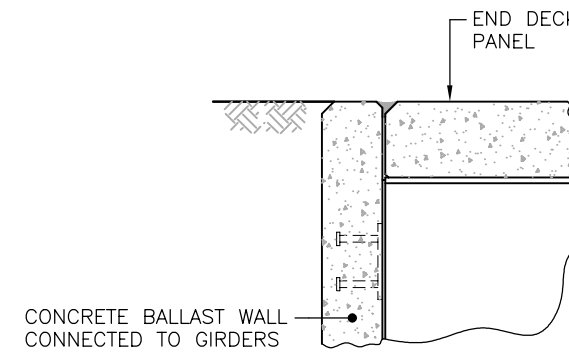
**REMOVABLE DECK/ GIRDER CONNECTION DETAIL**  
1:10 (4 REQ'D PER PANEL)



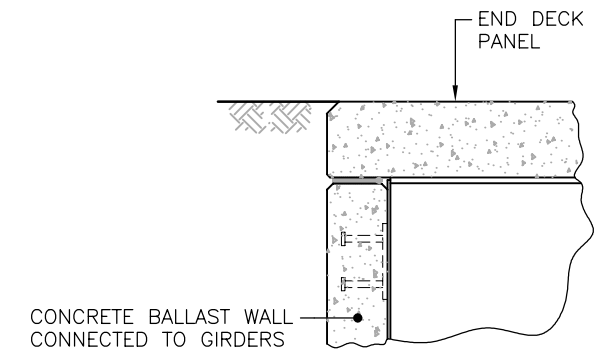
**NON-REMOVABLE DECK/ GIRDER CONNECTION DETAIL**  
1:10 (4 REQ'D PER PANEL)



**CORRUGATED PIPE BLOCKOUT**  
1:20

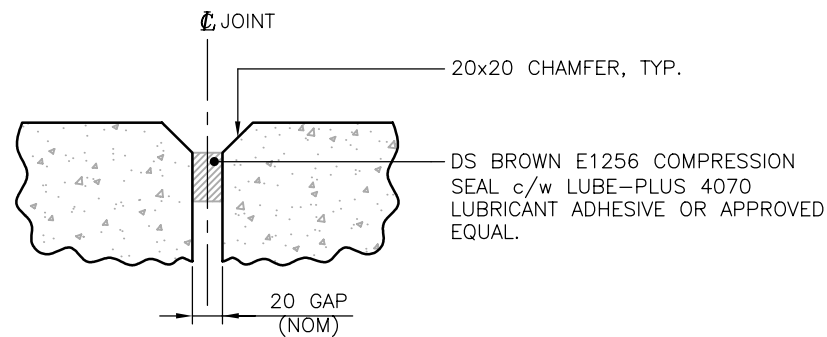


**DECK BESIDE BALLAST WALL DETAIL**  
1:25

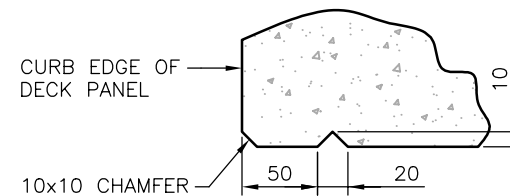


**DECK OVER BALLAST WALL DETAIL**  
1:25

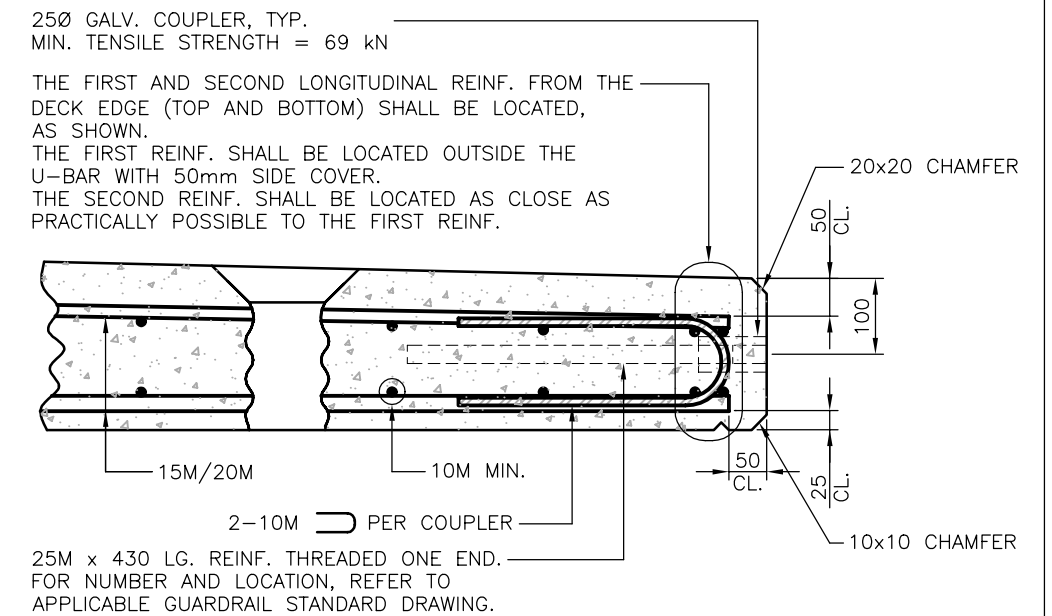
NOTE:  
FOR DETAILS REFER TO M.F.R. STD. DWG. STD-E-050-01



**PANEL JOINT DETAIL**  
1:10



**DRIP GROOVE DETAIL**  
1:5



**GUARDRAIL INSERT EDGE REBAR DETAIL**  
1:10

NOTE:  
1. THIS TYPE OF DECK SYSTEM USES PANEL ATTACHMENT DETAILS THAT DO NOT PROVIDE VERTICAL SUPPORT OF THE DECK PANELS. THE ENGINEER SHALL TAKE MEASURES TO ENSURE ADEQUATE VERTICAL SUPPORT OF THE DECK PANELS IS ACHIEVED.

**ASSUME NOT TO SCALE  
NOT FOR CONSTRUCTION**

SCALE AS SHOWN		Designed <u>J.H.</u> Date <u>MAR 2010</u>	
		Checked <u>D.J.H.</u> Date <u>MAR 2010</u>	
		Drawn <u>W.R.</u> Date <u>MAR 2010</u>	
Rev	Date	DESCRIPTION	Init
REVISIONS			

<b>STANDARD BRIDGE DRAWING</b>	
<b>STANDARD STEEL GIRDER BRIDGE WITH NON-COMPOSITE DECK PRECAST DECK PANEL - DETAILS</b>	
ORIGINAL SIGNED and SEALED BY: <b>JULIEN HENLEY</b>	APPROVED BY:
DESIGN ENGINEER	MOF ENGINEER
DATE <b>JULIEN HENLEY</b>	DATE
FILE No.	DRAWING No.
	<b>STD-EC-040-08</b>