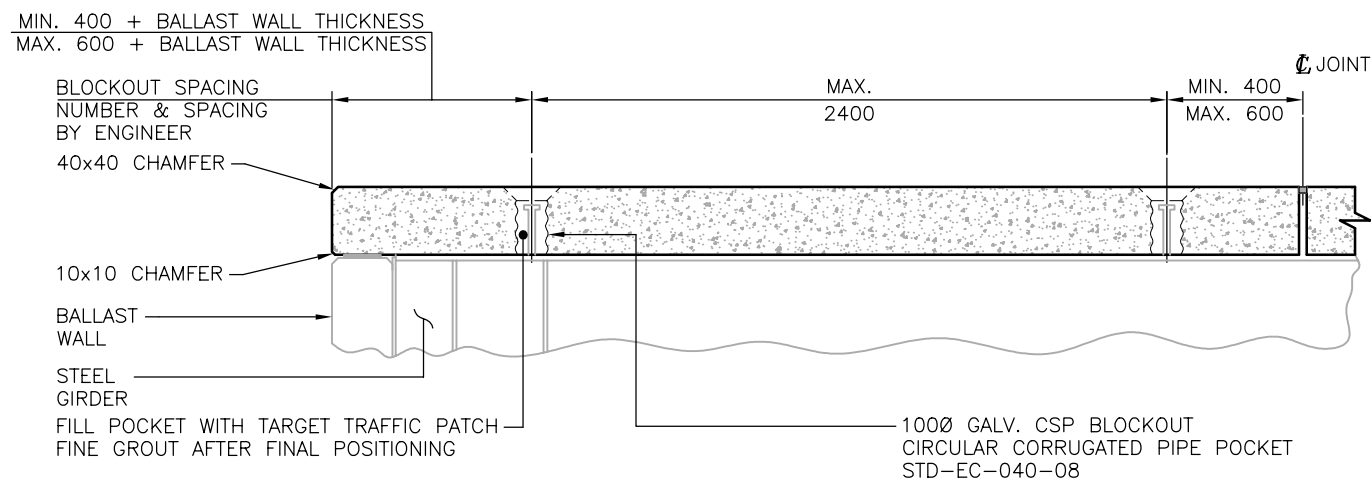
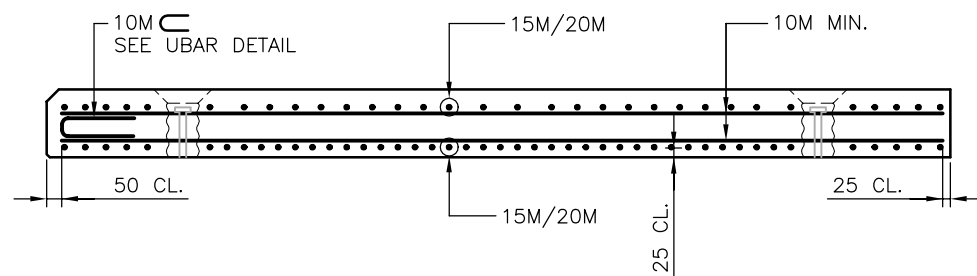


BLOCKOUT SPACING – DECK PANEL BESIDE BALLAST WALL
1:25

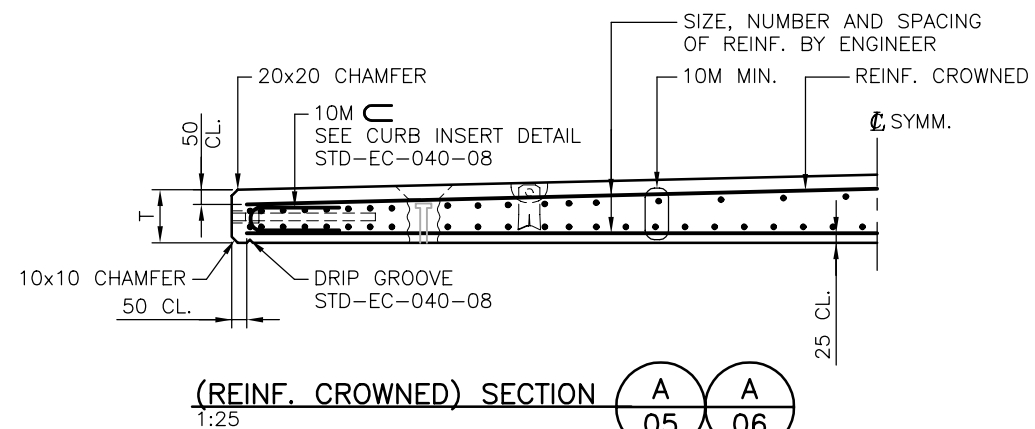


BLOCKOUT SPACING – DECK PANEL OVER BALLAST WALL
1:25

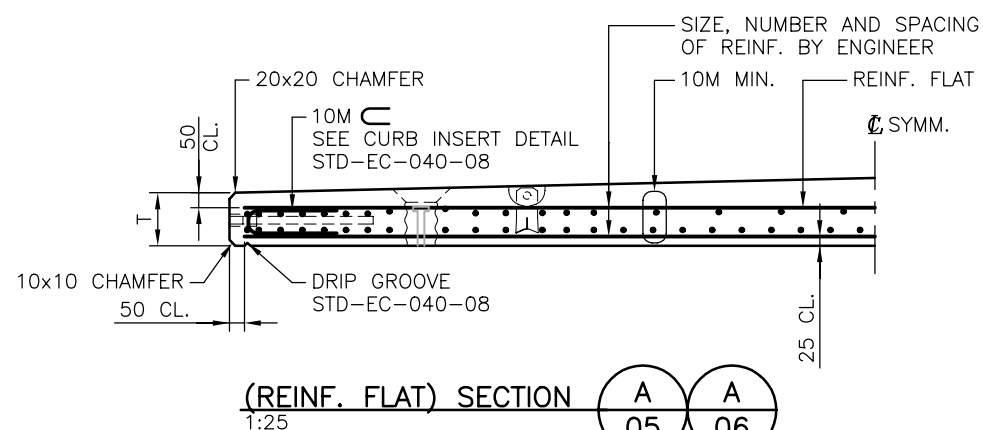


SECTION B B
1:25 05 06

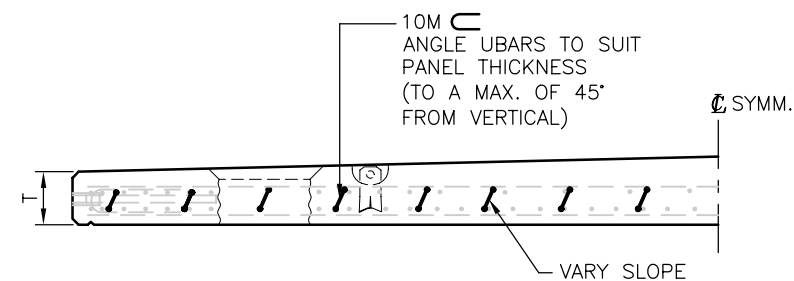
**ASSUME NOT TO SCALE
NOT FOR CONSTRUCTION**



(REINF. CROWNED) SECTION A A
1:25 05 06



(REINF. FLAT) SECTION A A
1:25 05 06



END PANEL UBAR DETAIL
1:25

BRITISH COLUMBIA
The Best Place on Earth
**MINISTRY OF FORESTS & RANGE
ENGINEERING BRANCH, FIELD OPERATIONS DIVISION**

STANDARD BRIDGE DRAWING

**STANDARD STEEL GIRDER BRIDGE WITH NON-COMPOSITE DECK
PRECAST DECK PANEL – SECTIONS**

ORIGINAL SIGNED and SEALED BY:
JULIEN HENLEY
APPROVED BY:

DESIGN ENGINEER
JULIEN HENLEY
MOF ENGINEER

DATE
JULIEN HENLEY
DATE

FILE No.
STD-EC-040-07
DRAWING No.

Rev	Date	DESCRIPTION	Init

REVISIONS

CANCEL PRINTS BEARING
PREVIOUS LETTER