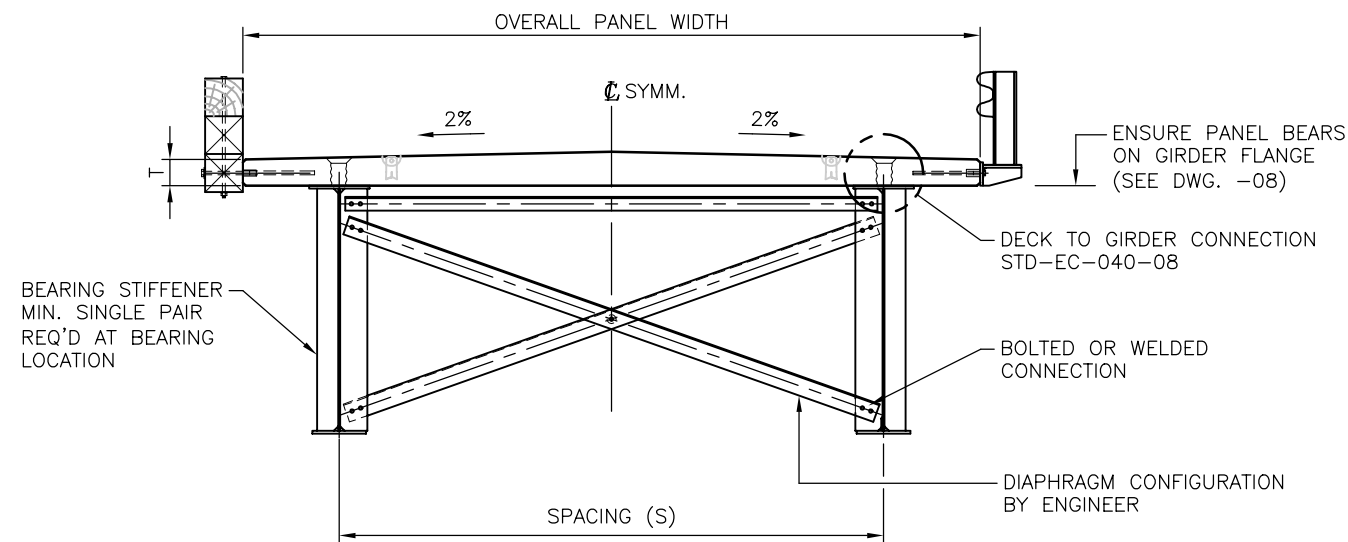
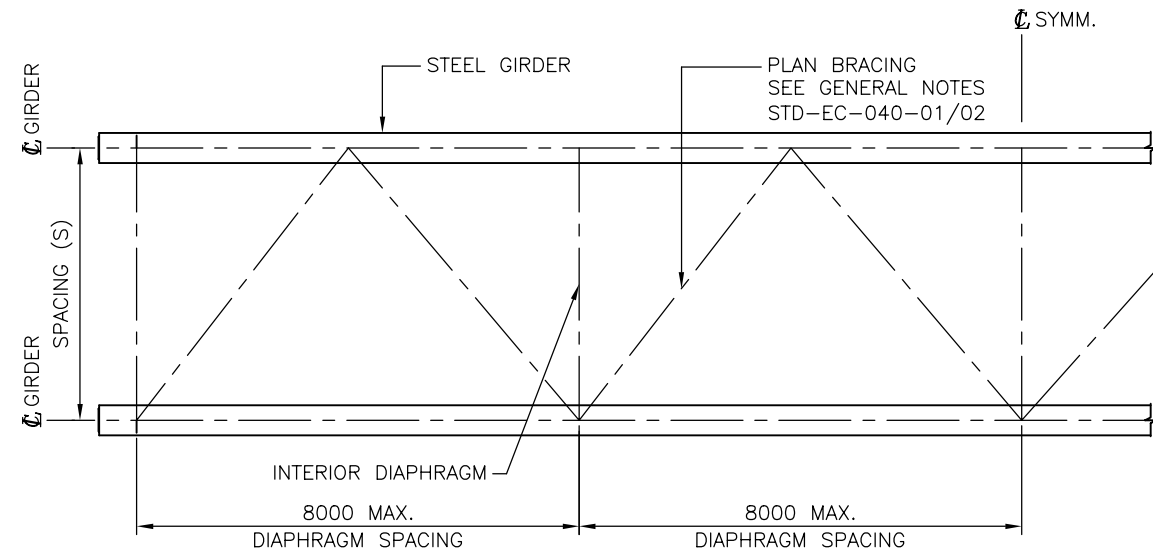


**BRIDGE ELEVATION**  
1:125



**BRIDGE SECTION**  
1:50



**PARTIAL PLAN - STEEL GIRDERS**  
1:100

**ASSUME NOT TO SCALE  
NOT FOR CONSTRUCTION**

SCALE AS SHOWN

Designed: J.H. Date: MAR 2010  
Checked: D.H. Date: MAR 2010  
Drawn: W.R. Date: MAR 2010

Rev	Date	DESCRIPTION	Init
1	APR. 2011	REVISED STANDARD DRAWING NUMBERS	

REVISIONS

**STANDARD BRIDGE DRAWING**

**STANDARD STEEL GIRDER BRIDGE WITH NON-COMPOSITE DECK  
GENERAL ARRANGEMENT**

ORIGINAL SIGNED and SEALED BY: JULIEN HENLEY	APPROVED BY:
DESIGN ENGINEER	MOF ENGINEER
DATE: JULIEN HENLEY	DATE:
FILE No.	DRAWING No.