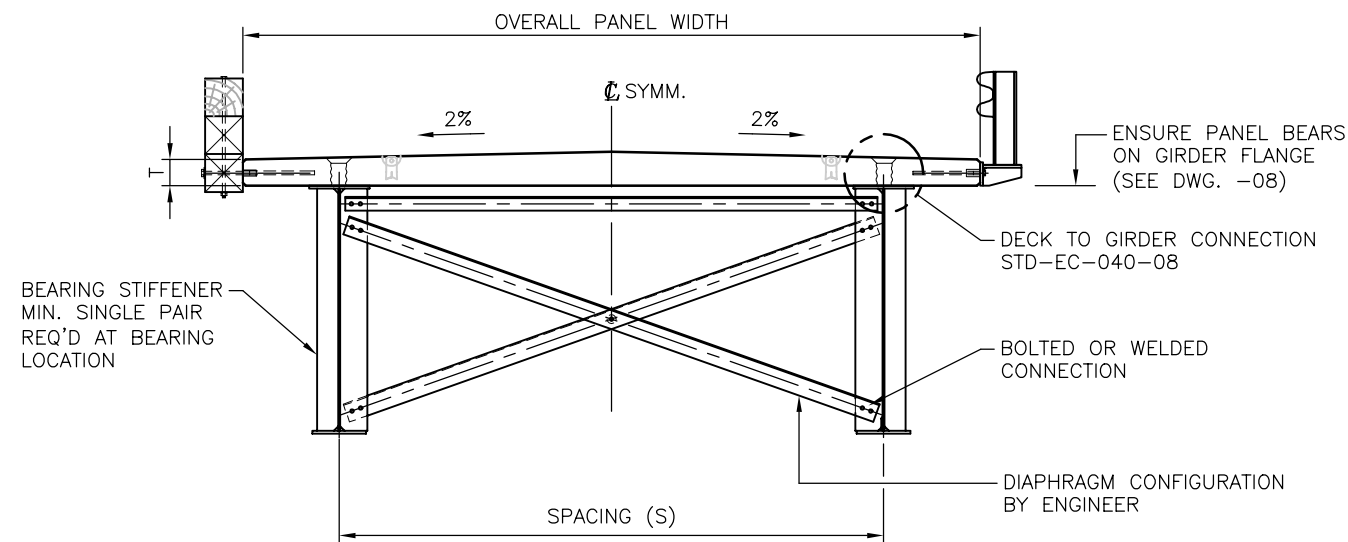
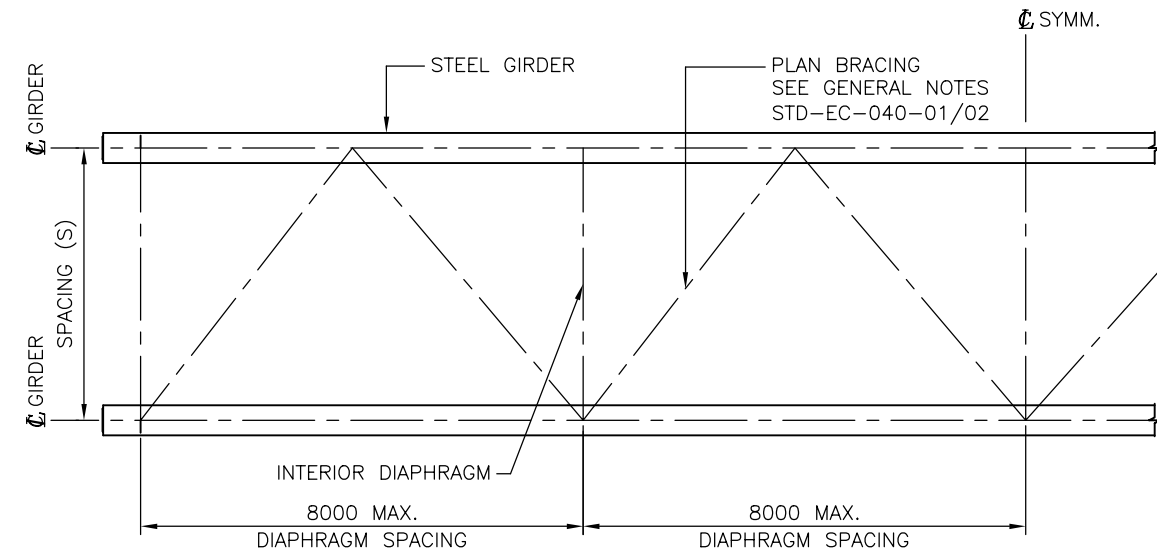


BRIDGE ELEVATION
1:125



BRIDGE SECTION
1:50



PARTIAL PLAN - STEEL GIRDERS
1:100

ASSUME NOT TO SCALE
ORIGINAL SIGNED AND SEALED

SCALE AS SHOWN

Designed: J.H. Date: MAR 2010
Checked: D.H. Date: MAR 2010
Drawn: W.R. Date: MAR 2010

STANDARD BRIDGE DRAWING

Rev	Date	DESCRIPTION	Init
1	APR. 2011	REVISED STANDARD DRAWING NUMBERS	

STANDARD STEEL GIRDER BRIDGE WITH NON-COMPOSITE DECK GENERAL ARRANGEMENT

ORIGINAL SIGNED and SEALED BY: JULIEN HENLEY	APPROVED BY:
DESIGN ENGINEER	MOF ENGINEER
DATE JULIEN HENLEY	DATE
FILE No.	DRAWING No.

REVISIONS

STD-EC-040-03 | 1

CANCEL PRINTS BEARING PREVIOUS LETTER