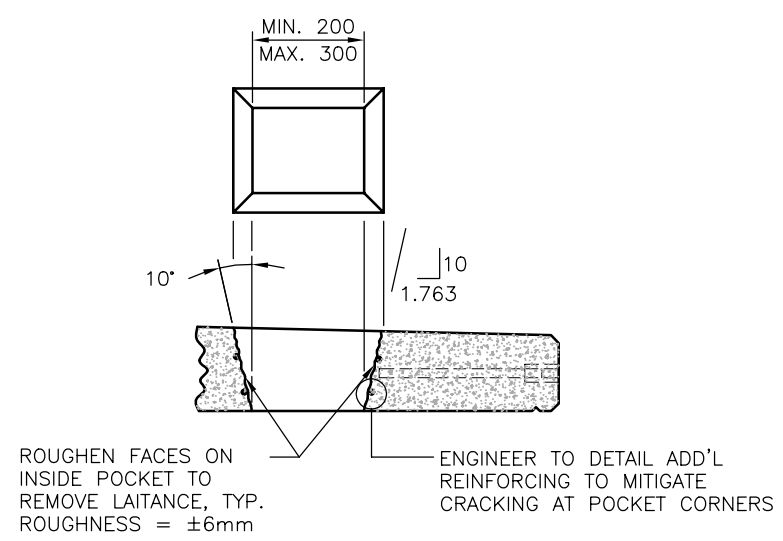
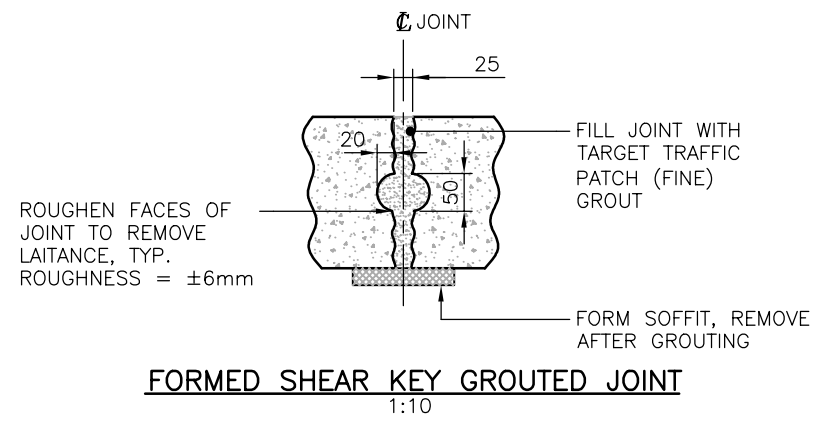
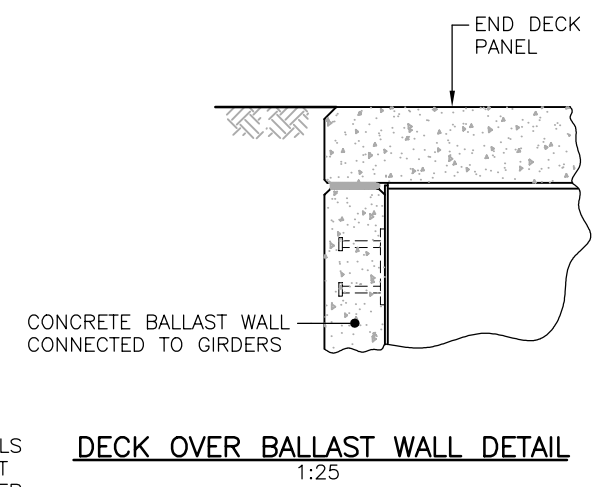


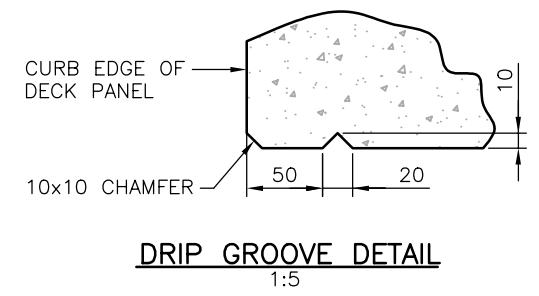
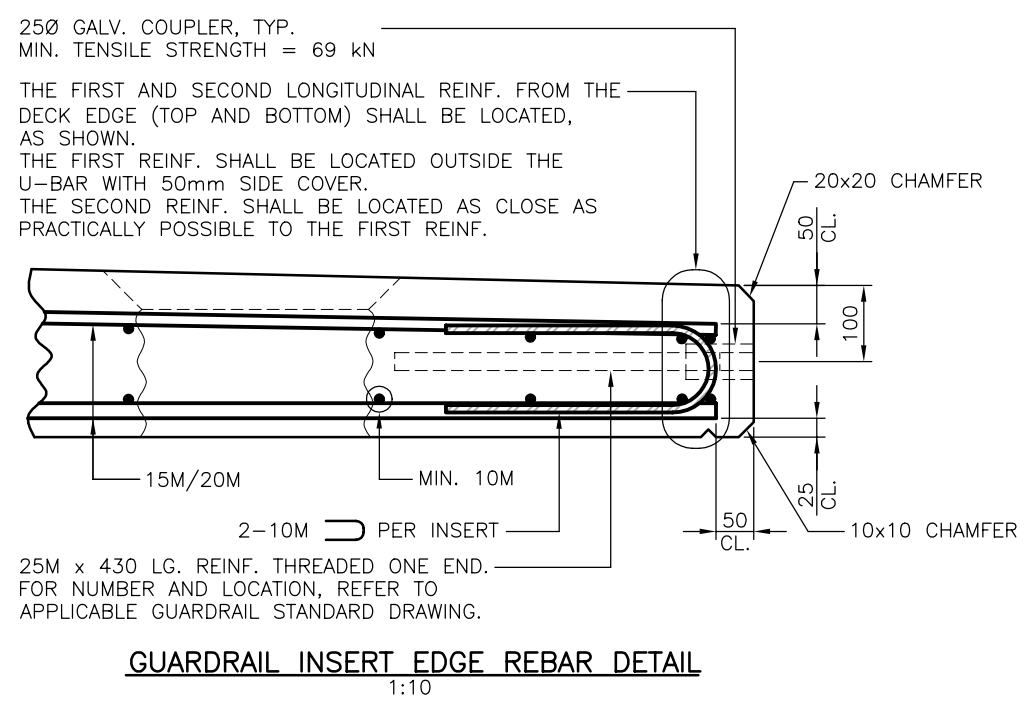
NOTE:  
FOR DETAILS REFER TO M.F.R. STD. DWG. STD-E-050-01



NOTE:  
THE RECTANGULAR BLOCKOUT DETAILS DO NOT PROVIDE VERTICAL SUPPORT OF THE DECK PANELS. THE ENGINEER SHALL TAKE MEASURES TO ENSURE ADEQUATE VERTICAL SUPPORT OF THE DECK PANELS IS ACHIEVED.



NOTE:  
FOR DETAILS REFER TO M.F.R. STD. DWG. STD-E-050-01



**ASSUME NOT TO SCALE**

**ORIGINAL SIGNED AND SEALED**

**BRITISH COLUMBIA**  
The Best Place on Earth

**MINISTRY OF FORESTS & RANGE**  
ENGINEERING BRANCH, FIELD OPERATIONS DIVISION

SCALE AS SHOWN

Designed J.H. Date MAR 2010  
Checked D.J.H. Date MAR 2010  
Drawn W.R. Date MAR 2010

**STANDARD BRIDGE DRAWING**

Rev	Date	DESCRIPTION	Init

**STANDARD STEEL GIRDER BRIDGE WITH COMPOSITE DECK COMPOSITE PRECAST DECK PANEL - DETAILS**

ORIGINAL SIGNED and SEALED BY:  
JULIEN HENLEY

APPROVED BY:

DESIGN ENGINEER  
JULIEN HENLEY

MOF ENGINEER

DATE

FILE No.

DRAWING No.  
STD-EC-030-09

REVISIONS

CANCEL PRINTS BEARING PREVIOUS LETTER