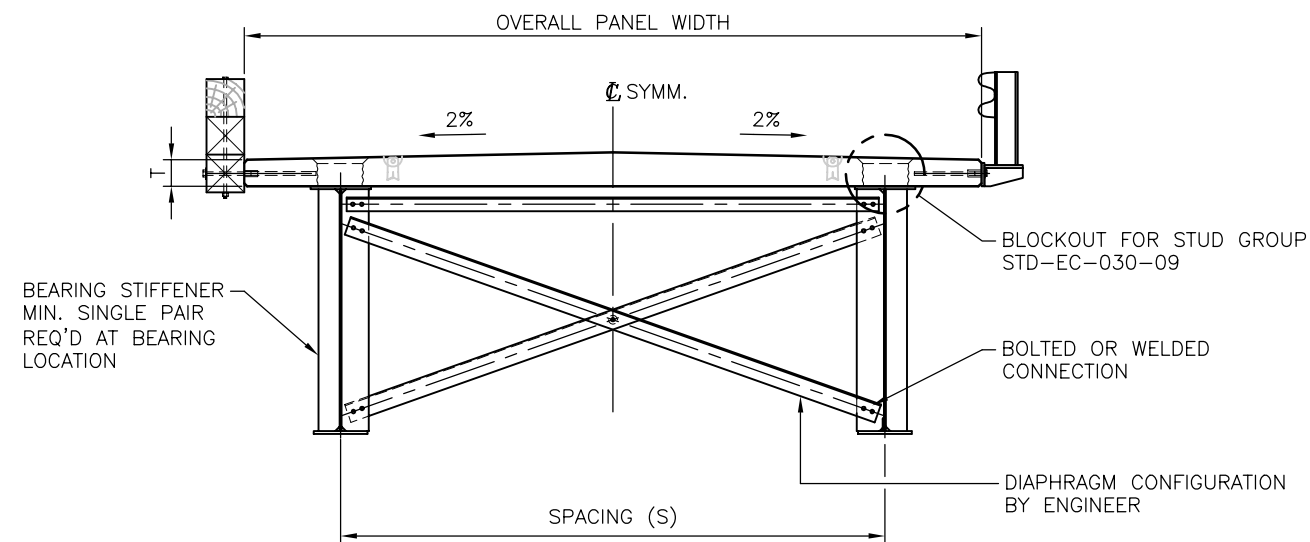


BRIDGE ELEVATION
1:125



BRIDGE SECTION
1:50

**ASSUME NOT TO SCALE
NOT FOR CONSTRUCTION**

SCALE AS SHOWN

Designed J.H. Date MAR 2010
Checked D.H. Date MAR 2010
Drawn W.R. Date MAR 2010

STANDARD BRIDGE DRAWING

Rev	Date	DESCRIPTION	Init
1	APR. 2011	REVISED STANDARD DRAWING NUMBERS	

**STANDARD STEEL GIRDER BRIDGE WITH COMPOSITE DECK
GENERAL ARRANGEMENT**

ORIGINAL SIGNED and SEALED BY:
JULIEN HENLEY

APPROVED BY:

DESIGN ENGINEER
DATE JULIEN HENLEY

MOF ENGINEER
DATE

FILE No.

DRAWING No.
STD-EC-030-03

REVISIONS