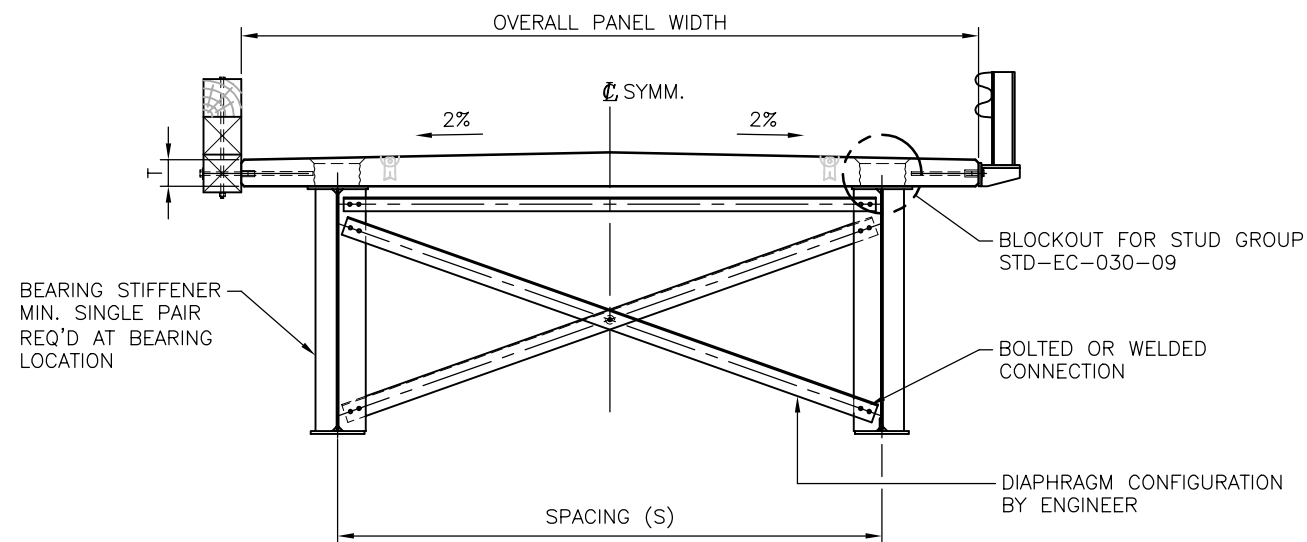


BRIDGE ELEVATION
1:125



BRIDGE SECTION
1:50

ASSUME NOT TO SCALE
ORIGINAL SIGNED AND SEALED

SCALE AS SHOWN

Designed J.H. Date MAR 2010
Checked D.H. Date MAR 2010
Drawn W.R. Date MAR 2010

| Rev | Date | DESCRIPTION | Init |
|-----|-----------|----------------------------------|------|
| 1 | APR. 2011 | REVISED STANDARD DRAWING NUMBERS | |
| | | | |
| | | | |
| | | | |

STANDARD BRIDGE DRAWING

STANDARD STEEL GIRDER BRIDGE WITH COMPOSITE DECK
GENERAL ARRANGEMENT

| | |
|-------------------------------------------------|------------------------------|
| ORIGINAL SIGNED and SEALED BY: JULIEN HENLEY | APPROVED BY: |
| DESIGN ENGINEER DATE JULIEN HENLEY | MOF ENGINEER DATE |
| FILE No. | DRAWING No. STD-EC-030-03 |