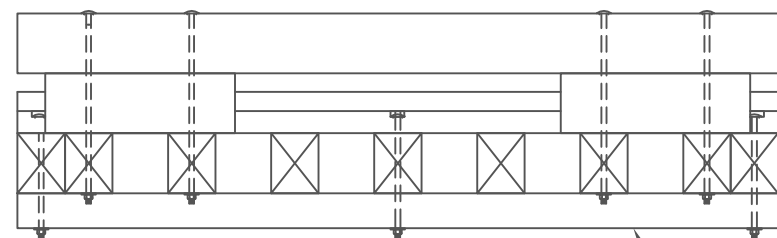


DECK MODULE PLAN
1:30

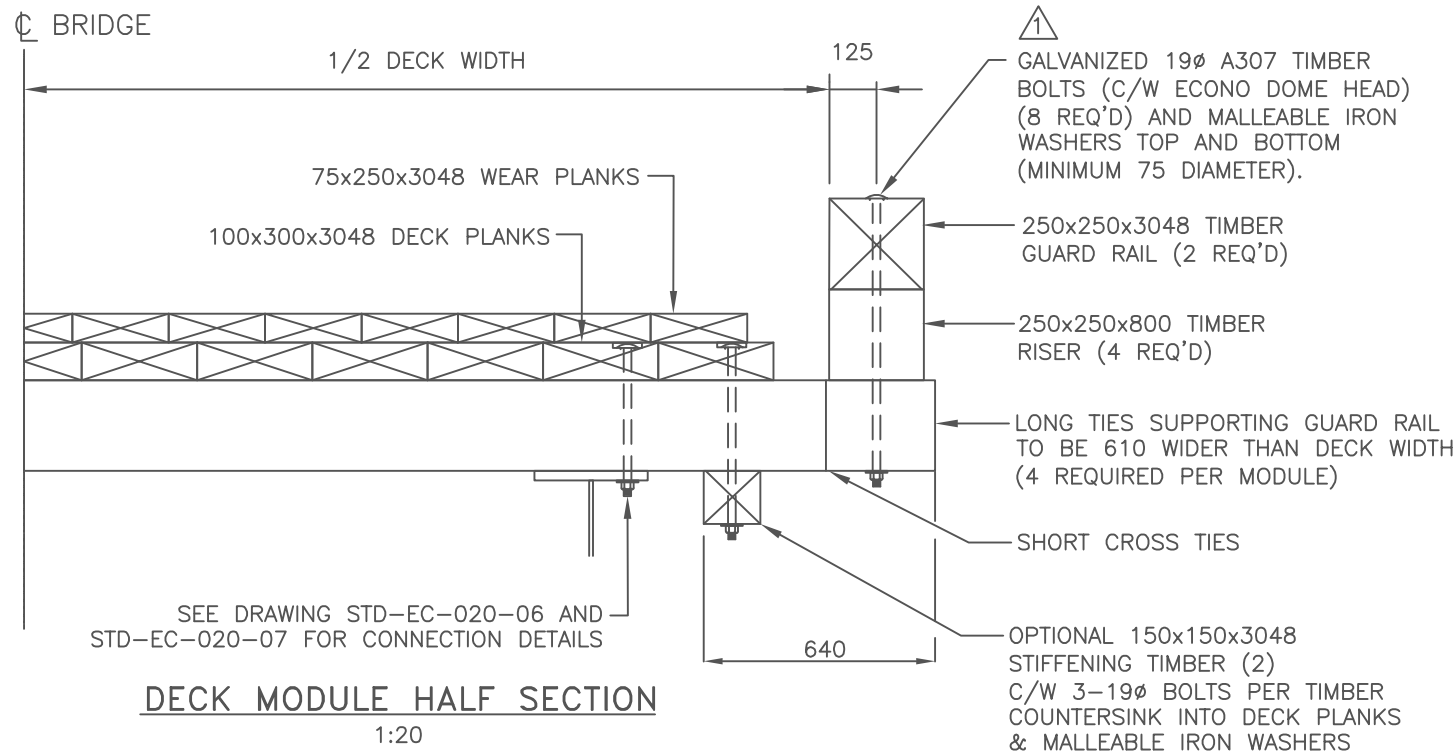
OPTIONAL 150x150x3048 STIFFENING TIMBERS (2)



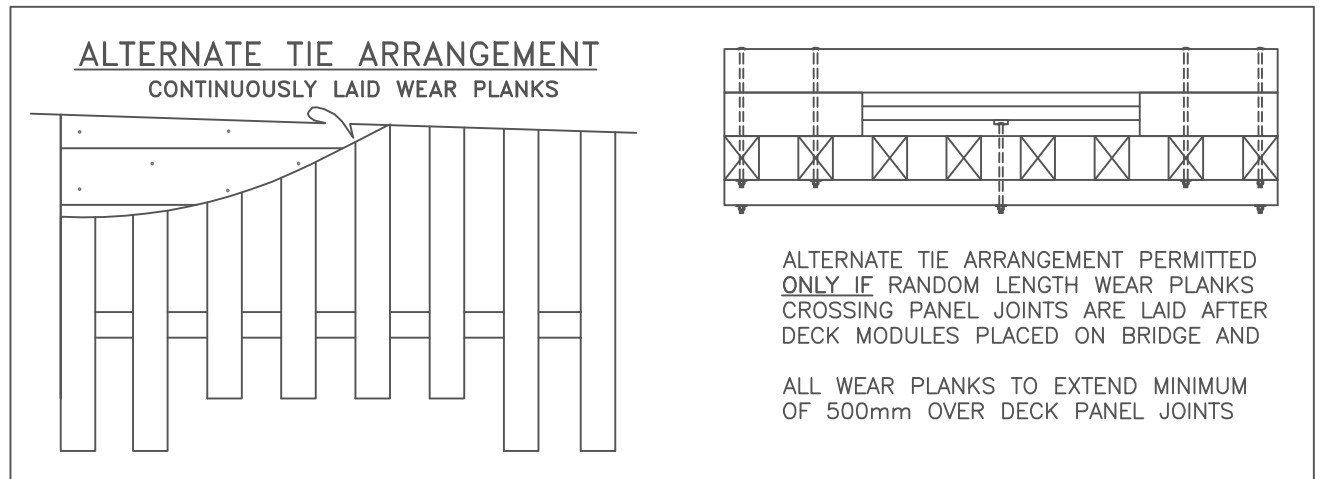
DECK MODULE ELEVATION
1:30

OPTIONAL 150x150x3048 STIFFENING TIMBERS (2)

- 125x125 CHAMFER ON CURB RAILS @ ENDS OF BRIDGE ONLY
- WEAR PLANKS NAILING PATTERN:
- WEAR PLANKS TO DECK PLANKS
 - 150mm GALV. COMMON SPIKES
 - 2 SPIKES @ 150 APART, 300 FROM ENDS
 - 2 SPIKES @ 150 APART @ +/-800mm O/C TYPICAL
- DECK PLANKS NAILING PATTERN:
- DECK PLANKS TO CROSS-TIES
 - 200mm GALV. COMMON SPIKES
 - 1 SPIKE EVERY TIE, STAGGERED SIDE TO SIDE @150 APART
 - PRE-DRILL (6mm) PLANK END SPIKES TO PREVENT SPLITTING



DECK MODULE HALF SECTION
1:20



- NOTES
- SEE DRAWING STD-EC-020-02 FOR TIMBER CROSS TIE SIZES AND SPACINGS.
 - SEE DRAWING STD-EC-020-06 FOR NEW BRIDGE DECK MODULE CONNECTION DETAILS.
 - SEE DRAWING STD-EC-020-07 FOR RETROFIT DECK MODULE CONNECTION DETAILS.
 - WHEN TREATED MODULE SPECIFIED, ALL TIMBERS SHALL BE TREATED EXCEPT FOR WEAR PLANKS.

MINISTRY OF FORESTS, LANDS AND NATURAL RESOURCE OPERATIONS
ENGINEERING BRANCH

STANDARD BRIDGE DRAWING

MODULAR TIMBER DECK PANEL
GENERAL ARRANGEMENT & DETAILS

SCALE AS SHOWN
Designed: ABS Date 2012/03/12
Checked: LT Date 2012/03/20
Drawn: ABS Date 2012/03/12

Rev	Date	DESCRIPTION	Init
1	JAN-17-14	REVISED BOLT AND WASHER DETAILS	JV
-	-	-	-
REVISIONS			

ORIGINAL SIGNED and SEALED BY:
A.B. SWAN, P.Eng

MFR ENGINEER:
DATE

DESIGN ENGINEER: A.B. SWAN P.ENG
DATE: MARCH 26, 2012

APPROVED BY: BRIAN CHOW, P.ENG, CHIEF ENGINEER
DATE:

FILE No.

DRAWING No.
STD-EC-020-05