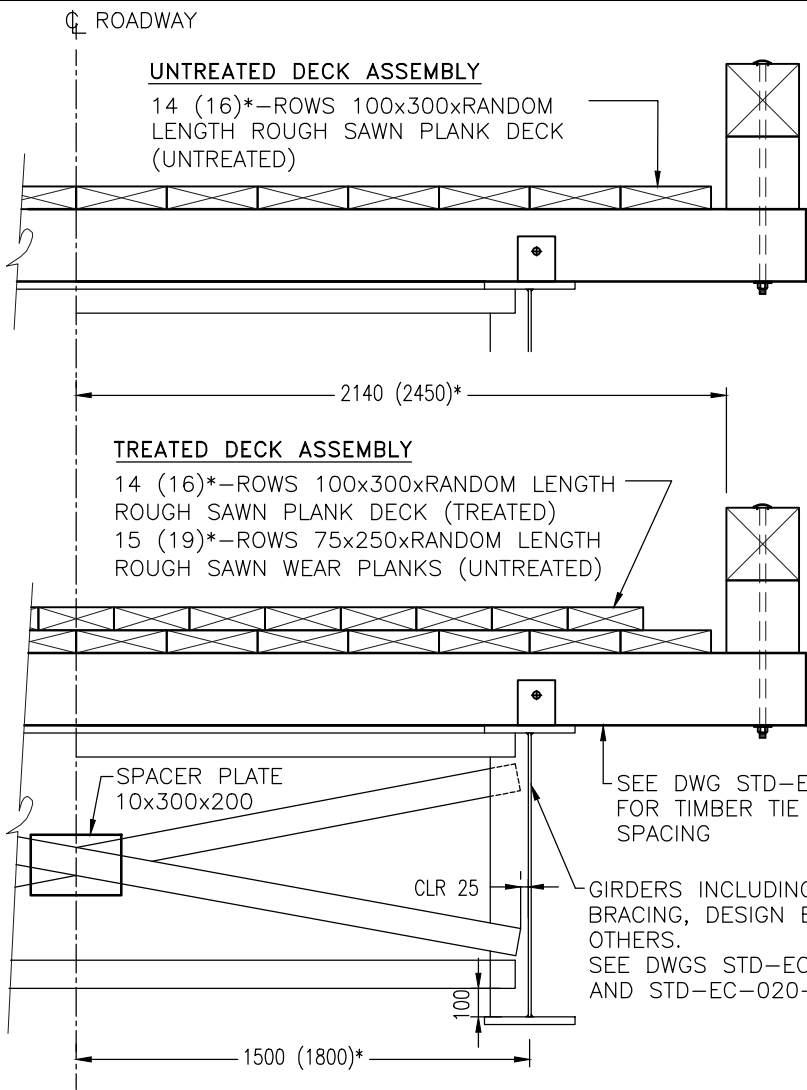
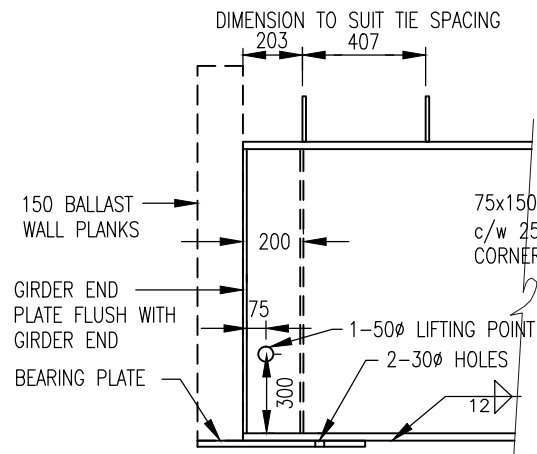


2009/02/19 \\STUDY-PC\Public\Documents\ACAD Dwg



A TYPICAL DIAPHRAGM/DECK SECTION
4268 (4876)* WIDE DECK

1:25

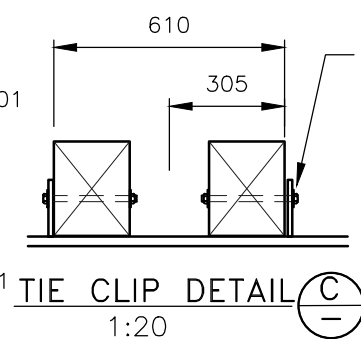


B END GIRDER/TIE CLIP DETAIL

1:25

- GUARD RAILS SHALL ONLY BE BOLTED TO TIES THAT ARE BOLTED TO GIRDERS
- ALL TIMBER CROSS TIES TO BE INSTALLED WITH LONG SIDES VERTICAL
- DECK PLANK BUTT JOINTS SHALL BE CENTERED ON CROSS TIES. JOINTS IN ADJACENT LINES OF PLANKS SHALL BE STAGGERED A MINIMUM OF 2 TIE SPACES

DIMENSION TO SUITE TIE SPACING



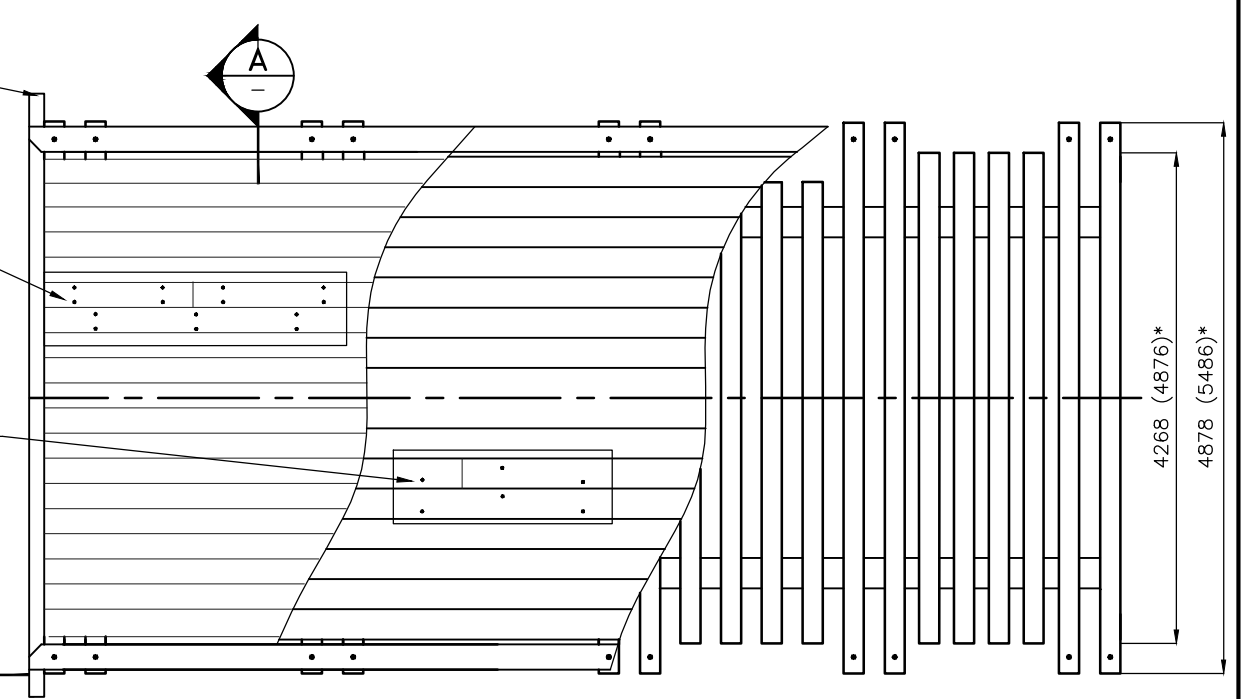
1:20

FOR PERMANENT BRIDGES, BALLAST WALLS TO BE 150x300x6000 TREATED TIMBER BOLTED TO GIRDER END P's UNLESS SPECIFIED OTHERWISE.

- WEAR PLANKS NAILING PATTERN:**
- WEAR PLANKS TO DECK PLANKS
 - 150mm GALV. COMMON SPIKES
 - 2 @ 150 APART 300 FROM ENDS
 - 2 @ 150 APART @ +/-1000mm O/C TYPICAL

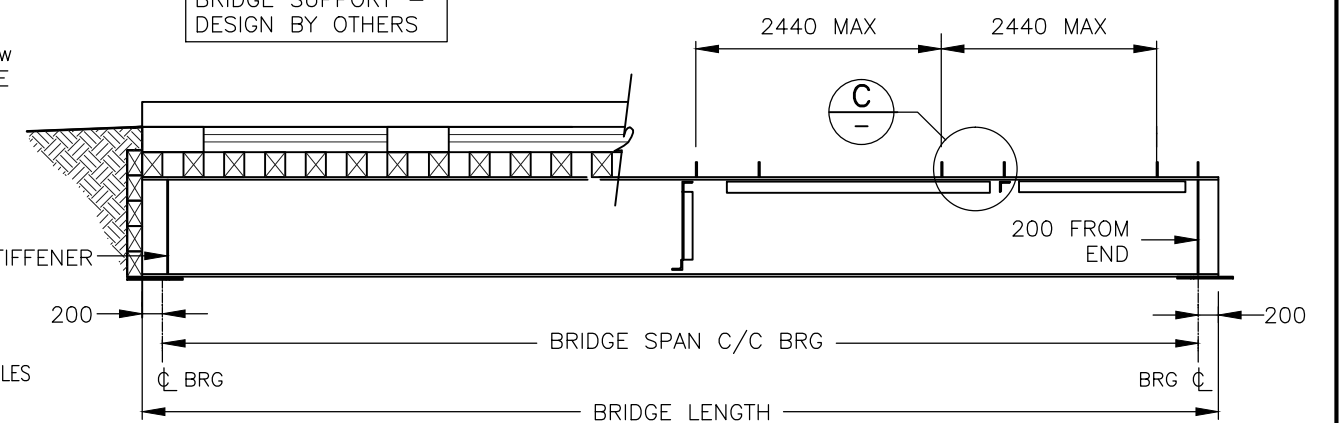
- DECK PLANKS NAILING PATTERN:**
- DECK PLANKS TO CROSS-TIES
 - 200mm GALV. COMMON SPIKES
 - 1 SPIKE, CENTERED ON PLANK AND TIE AT EACH END; PRE-DRILL (6mm) TO PREVENT SPLITTING
 - 1 SPIKE EVERY TIE, STAGGERED SIDE TO SIDE @ 150 APART

B

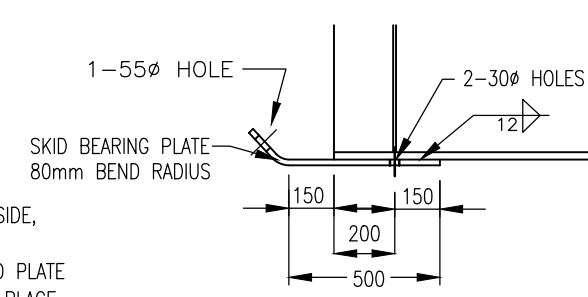


DECK PLAN
1:75

STRUCTURAL STEEL SUPERSTRUCTURE & BRIDGE SUPPORT - DESIGN BY OTHERS



TYPICAL ELEVATION
1:75



OPTIONAL SKID PLATE BEARING DETAIL
1:25

BRITISH COLUMBIA **MINISTRY OF FORESTS, LANDS AND NATURAL RESOURCE OPERATIONS**
ENGINEERING BRANCH

STANDARD BRIDGE DRAWING

PERMANENT, CONTINUOUS TIMBER DECK BRIDGE
GENERAL ARRANGEMENT

SCALE AS SHOWN
Designed ABS Date 2012/03/12
Checked LT Date 2012/03/20
Drawn ABS Date 2012/03/12

Rev	Date	DESCRIPTION	Init
-	-	-	-

ORIGINAL SIGNED and SEALED BY:
A.B. SWAN, PEng

DESIGN ENGINEER: A.B. SWAN P.ENG
DATE: MARCH 26, 2012

MFR ENGINEER:
DATE

APPROVED BY: BRIAN CHOW, P.ENG, CHIEF ENGINEER
DATE:

FILE No. DRAWING No.
STD-EC-020-03

CANCEL PRINTS BEARING PREVIOUS LETTER