

ASSUME NOT TO SCALE
ORIGINAL SIGNED AND SEALED

NOTES:

GENERAL

- GUARDRAILS HAVE BEEN DESIGNED TO MEET THE CRITERIA FOR CONTAINMENT LEVEL CL-3 AS DEFINED BY THE MINISTRY. GUARDRAILS HAVE NOT BEEN DESIGNED TO CONTAIN ERRANT VEHICLES.

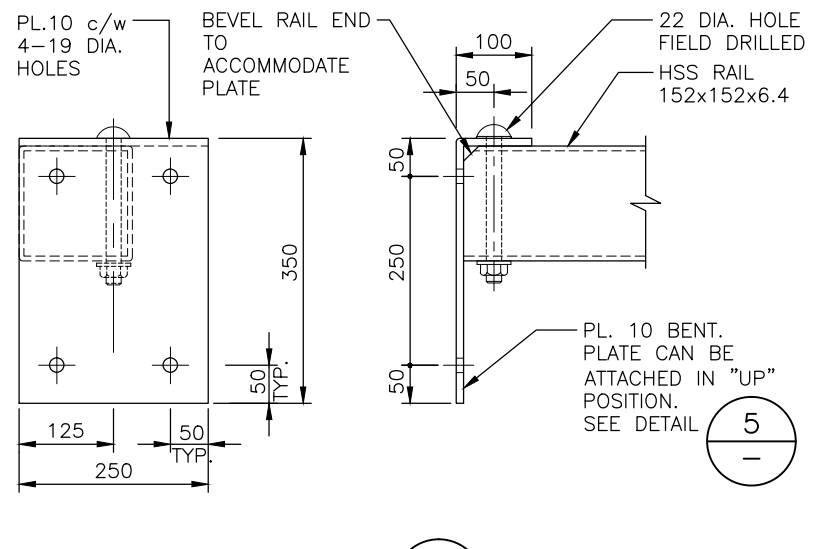
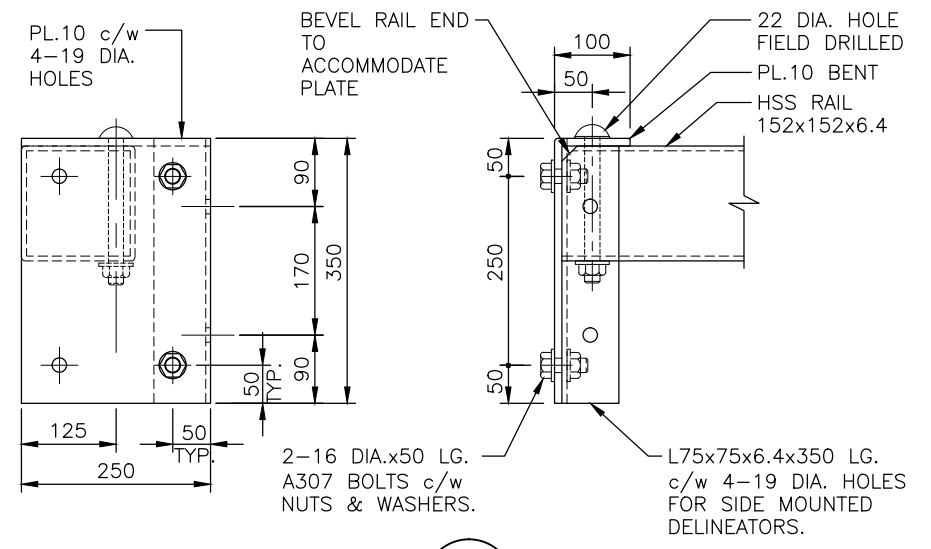
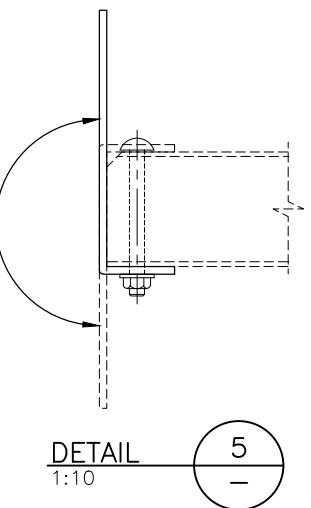
- MAXIMUM POST SPACING = 3048 C/C.

MATERIALS

- STEEL:
- RAILS
- TO CSA G40.21M
- GRADE 350W (COATED)
- GRADE 350A (UNCOATED)
- OR TO ASTM
- A500 GRADE C (COATED)
- A847 (UNCOATED)
- POSTS TO CSA G40.21M
- GRADE 350W (COATED)
- PLATE TO CSA G40.21M
- GRADE 350W (COATED)
- GRADE 350A (UNCOATED)

- STEEL FABRICATION:

- WELDING:
- SHOP WELDING IN ACCORDANCE WITH CSA W59 FABRICATOR TO BE CERTIFIED FOR DIVISION 1, 2 OR 3 IN ACCORDANCE WITH CSA W47.1.
- FIELD WELDING BY COMPANY CERTIFIED TO CSA W47.1, DIVISIONS 1, 2 OR 3.
- MIN. 6mm FILLET WELD UNLESS OTHERWISE NOTED.
- GUARDRAIL BRACKETS AND POST COATING TO BE EITHER:
- GALVANIZED TO CSA G164 AS NOTED ON DRAWINGS. MINIMUM 610 g/m²; OR
- PAINTED IN ACCORDANCE WITH MINISTRY STEEL GUARDRAIL COMPONENT PAINT STANDARD:
- HSS RAIL TO BE PAINTED SAFETY YELLOW IN ACCORDANCE WITH MINISTRY STEEL GUARDRAIL COMPONENT PAINT STANDARD:



NOTE: DELINEATOR ORIENTATION BY OWNER

SCALE AS SHOWN

Designed J.D. Date 2014/03/30
Checked J.H. Date 2014/03/30
Drawn W.R. Date 2014/03/30

Rev	Date	DESCRIPTION	Init
1	2014/04/16	ISSUED TO CLIENT	
2	2016/05/10	REDUCED GAP DISTANCE & PLATE SIZE	
REVISIONS			

BRITISH COLUMBIA
The Best Place on Earth

MINISTRY OF FORESTS, LANDS & NATURAL RESOURCE OPERATIONS

STANDARD BRIDGE DRAWING

STANDARD HSS GUARDRAIL FOR PRECAST CONCRETE SLAB BRIDGES CL - 3

ORIGINAL SIGNED AND SEALED BY: JULIEN HENLEY

APPROVED BY:

DESIGN ENGINEER: JULIEN HENLEY

MOF ENGINEER

DATE

FILE No.

DRAWING No.

STD-EC-010-06