

NOTE:
RAIL JOINT TO BE
600mm MAXIMUM
FROM POST CENTERLINE.

NOTES:

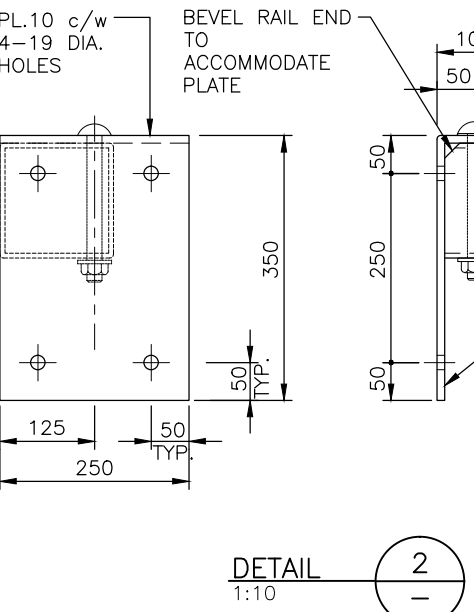
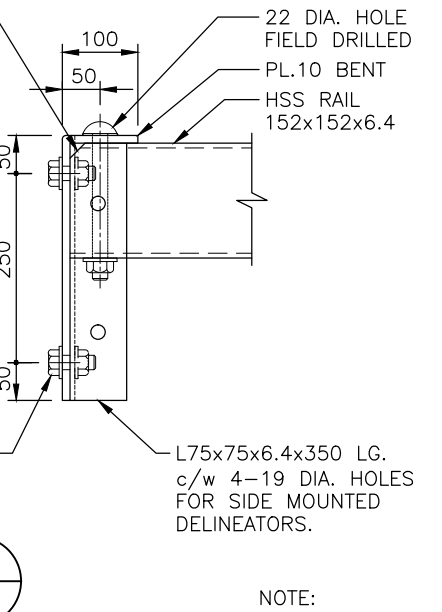
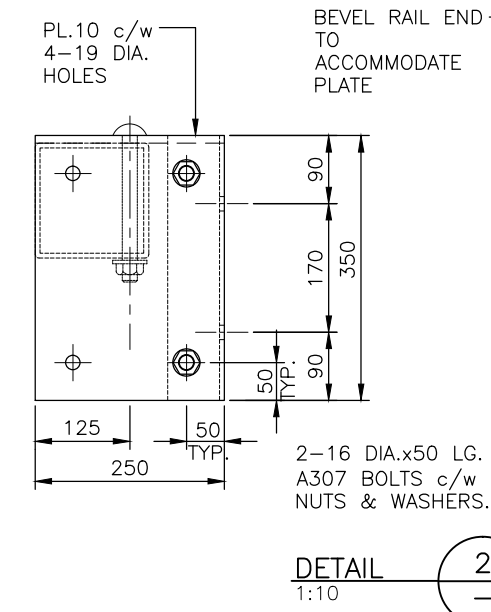
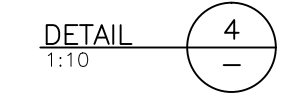
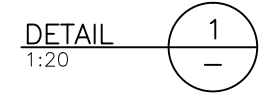
GENERAL

- GUARDRAILS HAVE BEEN DESIGNED TO MEET THE CRITERIA FOR CONTAINMENT LEVEL CL-2 AS DEFINED BY THE MINISTRY. GUARDRAILS HAVE NOT BEEN DESIGNED TO CONTAIN ERRANT VEHICLES.
- MAXIMUM POST SPACING = 3048 C/C.
- FOR GUARDRAIL ANCHOR DETAILS, SEE MINISTRY STANDARD DRAWINGS:
STD-EC-030-09 - COMPOSITE PRECAST DECK PANEL
STD-EC-040-08 - NON-COMPOSITE PRECAST DECK PANEL-DETAILS
STD-EC-070-03 - PRECAST CONCRETE SLAB DETAILS (SHEET 1)

MATERIALS

- STEEL:
 - RAILS AND POSTS
 - TO CSA G40.21M,
 - GRADE 350W (COATED)
 - GRADE 350A (UNCOATED)
 - OR TO ASTM
 - A500 GRADE C (COATED)
 - A847 (UNCOATED)
- PLATE TO CSA G40.21M
 - GRADE 350W (COATED)
 - GRADE 350A (UNCOATED)
 - GRADE 300W (COATED)
- STEEL FABRICATION:
 - WELDING:
 - SHOP WELDING IN ACCORDANCE WITH CSA W59 FABRICATOR TO BE CERTIFIED FOR DIVISION 1, 2 OR 3 IN ACCORDANCE WITH CSA W47.1.
 - FIELD WELDING BY COMPANY CERTIFIED TO CSA W47.1, DIVISIONS 1, 2 OR 3.
 - MIN. 6mm FILLET WELD UNLESS OTHERWISE NOTED.
 - GUARDRAIL BRACKETS AND POST COATING TO BE EITHER:
 - GALVANIZED TO CSA G164 AS NOTED ON DRAWINGS. MINIMUM 610 g/m²; OR
 - PAINTED IN ACCORDANCE WITH MINISTRY STEEL GUARDRAIL COMPONENT PAINT STANDARD:
 - HSS RAIL TO BE PAINTED SAFETY YELLOW IN ACCORDANCE WITH MINISTRY STEEL GUARDRAIL COMPONENT PAINT STANDARD:
 - GALVANIZING WHERE SPECIFIED, TO CSA G164, MINIMUM 610 g/m².
- HARDWARE:
 - ALL HARDWARE (BOLTS, NUTS, WASHERS) TO BE GALVANIZED TO CSA G164, MINIMUM 610 g/m².
 - BOLTS TO ASTM A307 GRADE B GALVANIZED.

ASSUME NOT TO SCALE
ORIGINAL SIGNED AND SEALED



NOTE:
DELINEATOR ORIENTATION
BY OWNER

Rev	Date	DESCRIPTION	Init
1	2012/09/06	REVISED DIMENSIONS	
2	2015/12/01	CHANGE PLATE LENGTH FROM 35 TO 350	
3	2016/01/06	REVISED DIMENSIONS; REDUCED GAP DISTANCE & PLATE SIZE	
4	2016/10/15	CHANGE TO SUIT STEEL GIRDER & SLAB BRIDGES; REVISED DIMENSIONS	

BRITISH COLUMBIA
The Best Place on Earth

MINISTRY OF FORESTS, LANDS & NATURAL RESOURCE OPERATIONS

STANDARD BRIDGE DRAWING

STANDARD BRIDGE GUARDRAIL - HSS RAIL
CL - 2

ORIGINAL SIGNED and SEALED BY:
JULIEN HENLEY

APPROVED BY:
MOF ENGINEER
JULIEN HENLEY

DESIGN ENGINEER
JULIEN HENLEY

DATE

FILE No.

DRAWING No.
STD-EC-010-02