

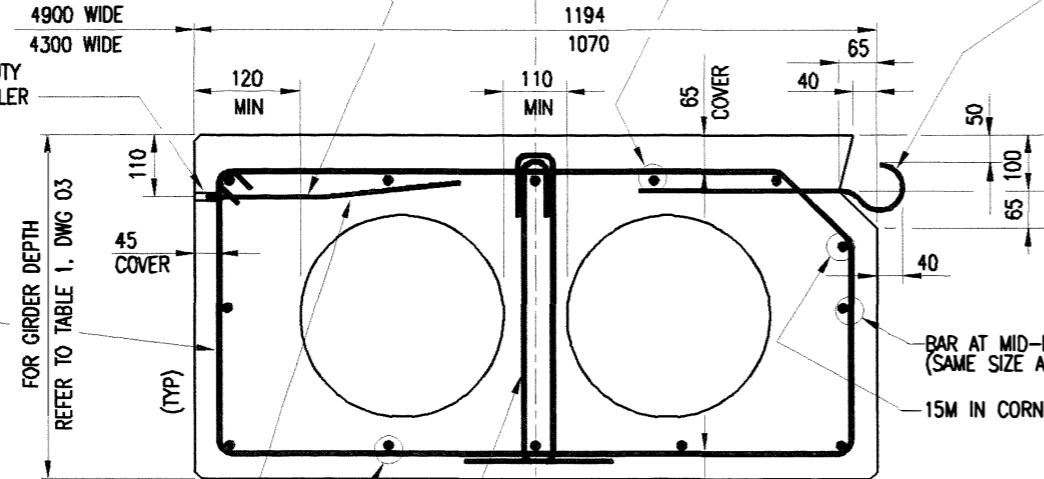
COUPLER & REBAR EXTERIOR GIRDER ONLY
FOR GUARDRAIL CONNECTIONS
REFER TO DWG STD-E-010-01 FOR DETAILS

25 # HEAVY DUTY
BURRARD COUPLER
(GALV)

10M CLOSED STIRRUP
REFER TO TABLES 3-6 DWG 03
FOR SPACING



FOR GIRDER DEPTH
REFER TO TABLE 1, DWG 03

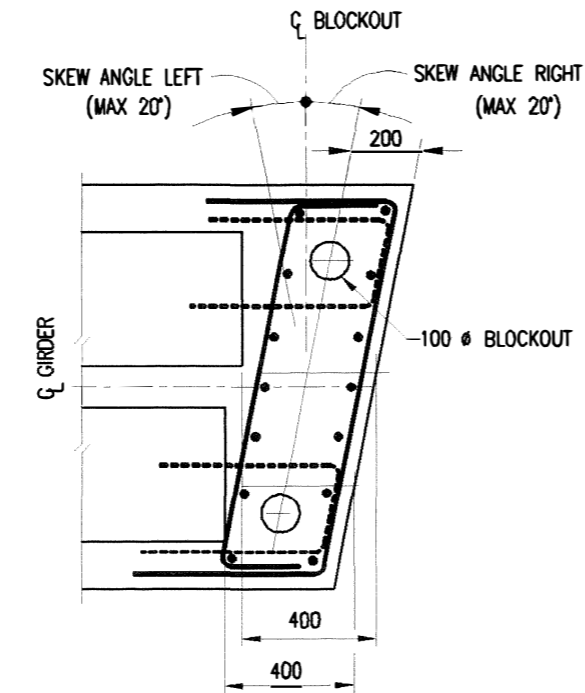


25M x 500 LONG, THREADED 50
BEND TO CLEAR VOID AS REQD

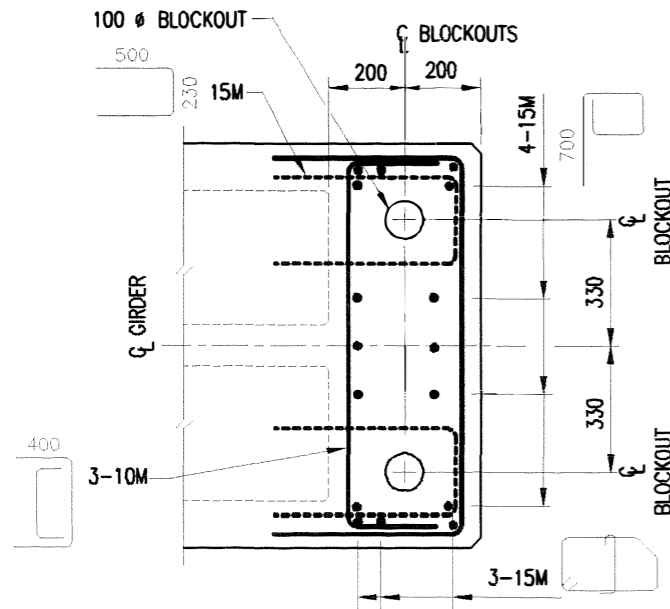
BOTTOM BARS UNIFORMLY SPACED
REFER TO TABLES 4-7 (DWG 03)
TABLES 12-15 (DWG 04)
TABLES 20-23 (DWG 05)
FOR SIZE & NUMBER OF BARS

OPEN STIRRUPS ON C AT SAME SPACING
AS CLOSED STIRRUPS. REFER TO TABLE 3 DWG 03
FOR SIZE & NUMBER OF OPEN STIRRUPS (0, 1, 2)
AT PARTICULAR SECTION

TYPICAL EXTERIOR GIRDER
1:12.5



PLAN - SKEWED END GIRDER DETAILS
1:20

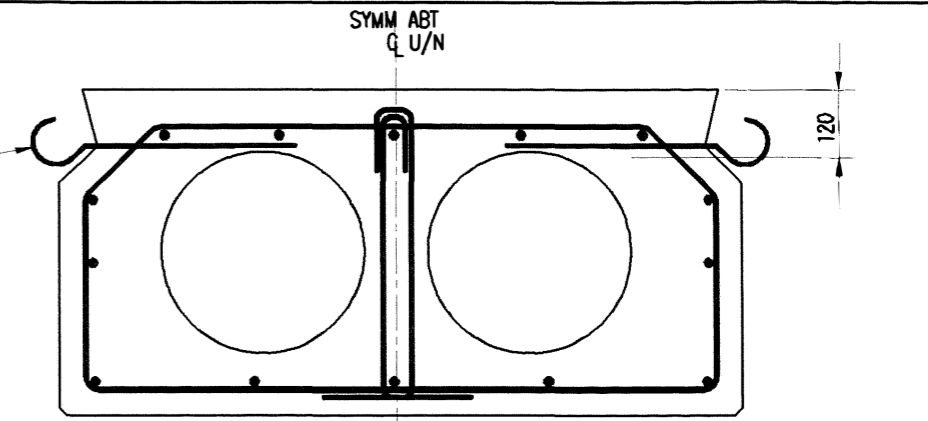


PLAN - END GIRDER DETAILS
1:20

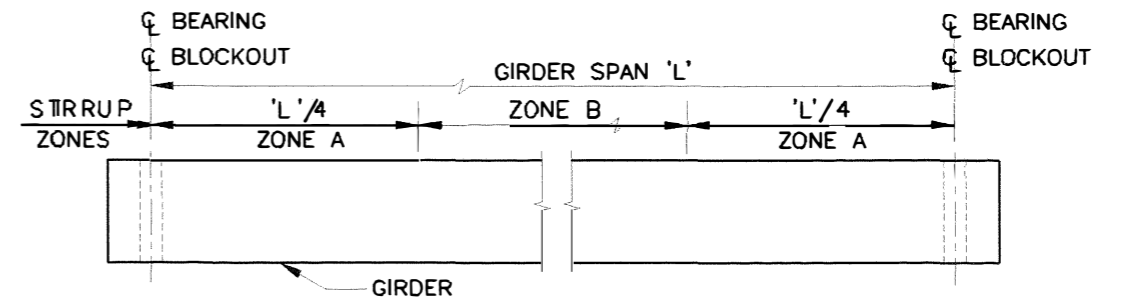
NOTE:
ALTERNATIVE BLOCKOUT DETAILS
MAY BE USED WHERE APPROVED

TOP BARS UNIFORMLY SPACED
REFER TO TABLES 3-6, DWG 03
FOR SIZE & NUMBER OF BARS

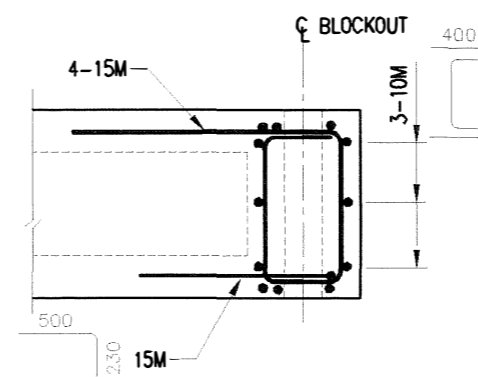
10M # 200
SKEW BARS TO CLEAR
ADJACENT BARS
(EPOXY COATED OR
2 COATS OF GALVACON)



TYPICAL INTERIOR GIRDER
1:12.5
SIMILAR TO EXTERIOR GIRDER
EXCEPT AS SHOWN



ELEVATION - GIRDER STIRRUP ZONES
1:12.5



ELEVATION - END GIRDER DETAILS
1:20

ASSUME NOT TO SCALE

Rev	Date	Description	Init

Rev	Date	Description	Init

Province of British Columbia
MINISTRY OF FORESTS
RESOURCE TENURES AND ENGINEERING BRANCH

STANDARD BRIDGE DRAWING
PRECAST PRESTRESSED CONCRETE SLAB GIRDER
GIRDER DETAILS

DESIGNED: GWT DATE: MAR/99
CHECKED: GWT DATE: MAR/99
DRAWN: DG DATE: MAR/99

ORIGINAL SIGNED AND SEALED BY: GRAHAM W. TAYLOR, P.ENG. DATE: June/99
DESIGN ENGINEER: GRAHAM W. TAYLOR, P.ENG. MCF ENGINEER
DATE: DATE: DRAWING NO.:
FILE NO.: DRAWING NO.:

ISSUE RECORD REVISIONS

STD-E-080-02 A