

COUPLER & REBAR EXTERIOR GIRDER ONLY  
FOR GUARDRAIL CONNECTIONS  
REFER TO DWG STD-E-010-01 FOR DETAILS

25 # HEAVY DUTY  
BURRARD COUPLER  
(GALV)

4900 WIDE  
4300 WIDE

10M CLOSED STIRRUP  
REFER TO TABLES 3-6 DWG 03  
FOR SPACING



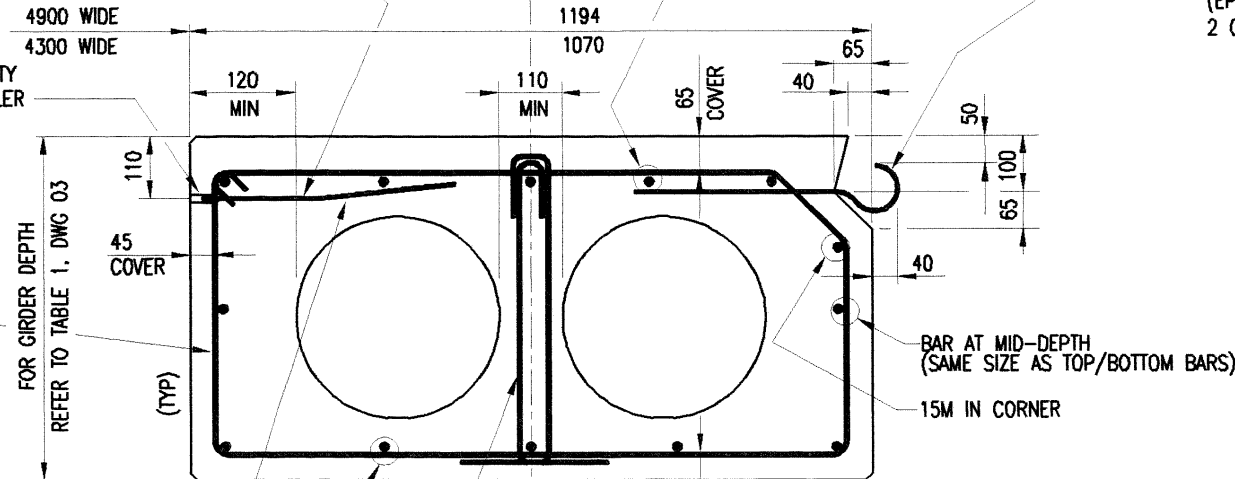
25M x 500 LONG, THREADED 50  
BEND TO CLEAR VOID AS REQD

BOTTOM BARS UNIFORMLY SPACED  
REFER TO TABLES 4-7 (DWG 03)  
TABLES 12-15 (DWG 04)  
TABLES 20-23 (DWG 05)  
FOR SIZE & NUMBER OF BARS

SYMM ABT  
Q U/N

TOP BARS UNIFORMLY SPACED  
REFER TO TABLES 3-6, DWG 03  
FOR SIZE & NUMBER OF BARS

10M # 200  
SKEW BARS TO CLEAR  
ADJACENT BARS  
(EPOXY COATED OR  
2 COATS OF GALVACON)

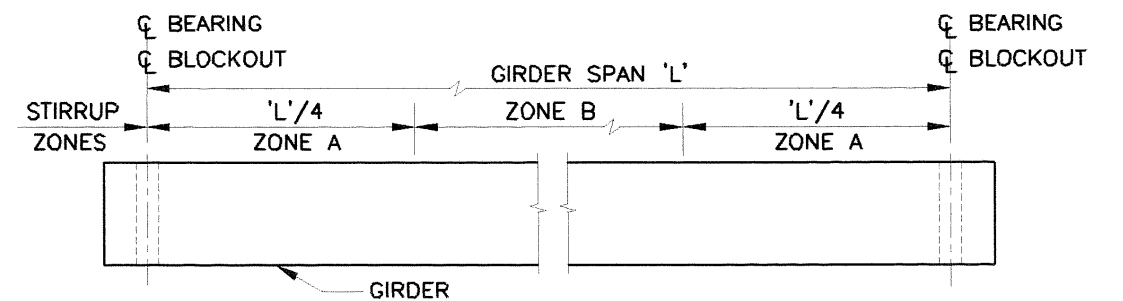


TYPICAL EXTERIOR GIRDER  
1:12.5

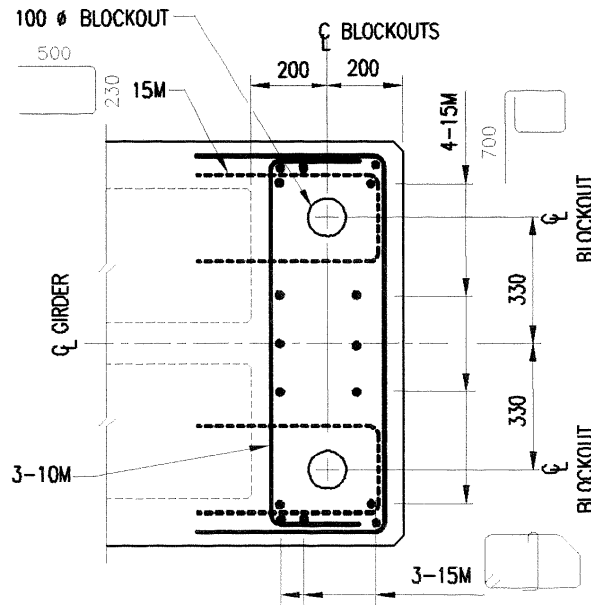
OPEN STIRRUPS ON Q AT SAME SPACING  
AS CLOSED STIRRUPS. REFER TO TABLE 3 DWG 03  
FOR SIZE & NUMBER OF OPEN STIRRUPS (0, 1, 2)  
AT PARTICULAR SECTION

TYPICAL INTERIOR GIRDER  
1:12.5

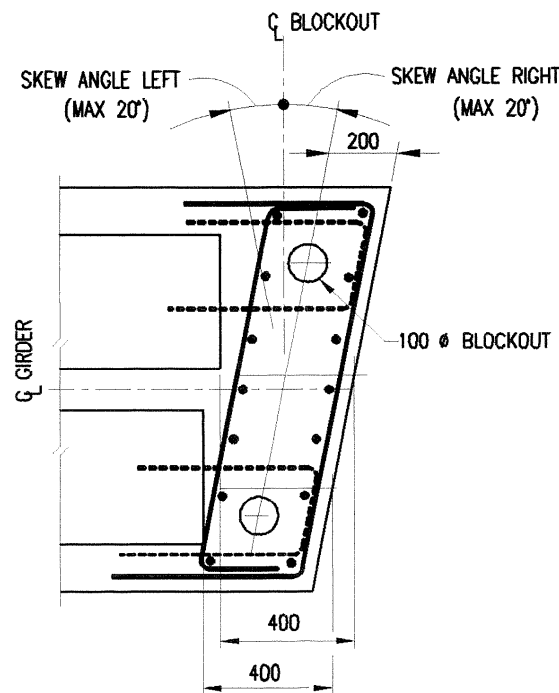
SIMILAR TO EXTERIOR GIRDER  
EXCEPT AS SHOWN



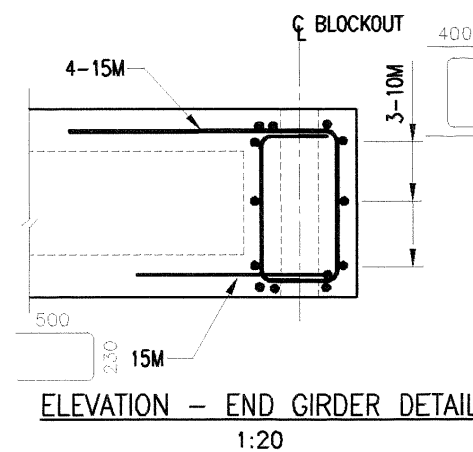
ELEVATION - GIRDER STIRRUP ZONES  
1:12.5



PLAN - END GIRDER DETAILS  
1:20



PLAN - SKEWED END GIRDER DETAILS  
1:20



ELEVATION - END GIRDER DETAILS  
1:20

ASSUME NOT TO SCALE

NOTE:  
ALTERNATIVE BLOCKOUT DETAILS  
MAY BE USED WHERE APPROVED

Rev	Date	Description	Init
SCALE			
DESIGNED	GWT	DATE	MAR/99
CHECKED	GWT	DATE	MAR/99
DRAWN	DG	DATE	MAR/99
ISSUE RECORD			
REVISIONS			



Province of British Columbia  
MINISTRY OF FORESTS  
RESOURCE TENURES AND ENGINEERING BRANCH

STANDARD BRIDGE DRAWING

PRECAST PRESTRESSED CONCRETE SLAB GIRDERS  
GIRDER DETAILS

ORIGINAL SIGNED AND SEALED BY:  
GRAHAM W. TAYLOR, P.ENG.

APPROVED BY:  
*AD Sher* June/99  
MCF ENGINEER

DESIGN ENGINEER  
GRAHAM W. TAYLOR, P.ENG.

DATE

FILE NO.

DATE

DRAWING NO.

STD-E-080-02

A

CANCEL PRINTS BEARING PREVIOUS LETTER