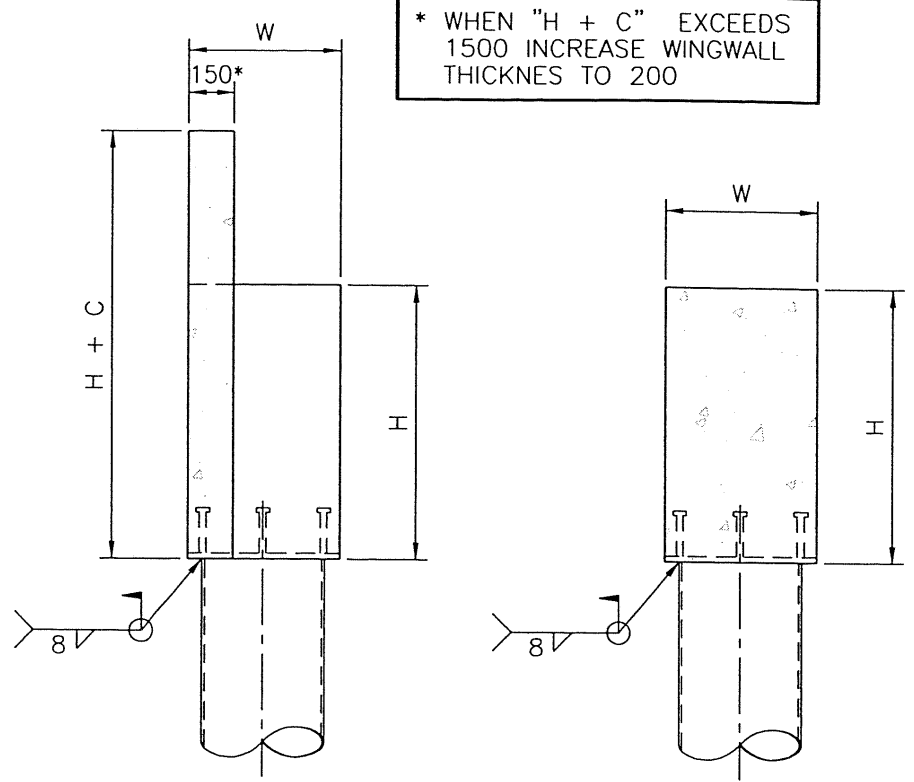


NOTE:
 • C = SLAB THICKNESS PLUS RUBBER STRIP BEARING THICKNESS
 • FOR CAP DEPTH "H" & REINFORCING LAYOUT SEE DWG.'S STD-E-050-51/52

NOTE:
 OMIT BRACING IF COLUMN HEIGHT IS LESS THAN 1000mm.

NOTE:
 INSTALL SECOND BAY OF BRACING IF COLUMN HEIGHT EXCEEDS 3500mm



SECTION A-A
1:25

SECTION B-B
1:25

NOTES

- FOR DEFINITION OF LOADS REFER TO FOREST SERVICE BRIDGE DESIGN AND CONSTRUCTION MANUAL.
- DESIGN: CAN/CSA-S6-88 (MODIFIED). FOREST SERVICE BRIDGE DESIGN AND CONSTRUCTION MANUAL, JULY 1999.
- STEEL: CSA G40.21M GRADE 350AT CAT. 3 (PLATE) GRADE 350A (SECTIONS) GRADE 300W - PAINTED (COLUMN BRACING)
- WELDING: CSA W59 6 F.W. U/N. FIELD WELDERS CERTIFIED TO CSA W47.
- PIPE: ASTM A252 GRADE 2.
- STUDS: ASTM A108 GRADE 1020.
- BOLTS: ASTM A325 TYPE 3 M22 U/N. JOB INSPECTION TORQUE 810Nm.
- HARDWARE: GALVANIZED CSA G164, BOLTS ASTM A307 GALV.
- COAT STEEL SUBSTRUCTURE WITH ONE COAT BITUMINOUS PAINT PRIOR TO BACKFILLING.
- CONCRETE: CAN3 A23.1 EXPOSURE CLASS C1, f'c = 35MPa @ 28 DAYS.
- PRECAST CONCRETE: CSA A23.4-94 BY CSA CERTIFIED PLANT.
- REINFORCING: CSA G30.18M GRADE 400.
- GROUT: INSTALL IN ACCORDANCE WITH MANUFACTURERS INSTRUCTIONS.

1/2 CAP BEAM/WING WALL **1/2 CAP BEAM**
TYPICAL ELEVATION
 N.T.S.

CAP BEAM DIMENSIONS			
DECK WIDTH	A	B	L
4268	2184	1500	4268
4876	2488	1800	4876
5486	2793	2100	5486
6096	3098	2100	6096

CAP BEAM WIDTH	
COLUMN DIAMETER	W
323ø	400
406ø	500

ASSUME NOT TO SCALE

SCALE AS SHOWN		Designed: J.H. Date: MAR. 2000	
		Checked: D.J.H. Date: MAR. 2000	
		Drawn: P.L. Date: MAR. 2000	
Rev	Date	DESCRIPTION	Init
REVISIONS			

Province of British Columbia
 MINISTRY OF FORESTS
 RESOURCE TENURES and ENGINEERING BRANCH

STANDARD BRIDGE DRAWING

STANDARD PRECAST CONCRETE BRIDGE ABUTMENTS FOR CONCRETE BRIDGES
 TYPICAL CONCRETE CAP BEAM DETAILS, SHEET 1

ORIGINAL SIGNED and SEALED BY:
 DAVID I. HARVEY, P.ENG. APPROVED BY: *[Signature]*

DESIGN ENGINEER: JULIEN HENLEY, P.ENG. MOF ENGINEER: *[Signature]*

DATE: JULIEN HENLEY, P.ENG. DATE: *[Signature]*

FILE No. DRAWING No. **STD-E-050-50**