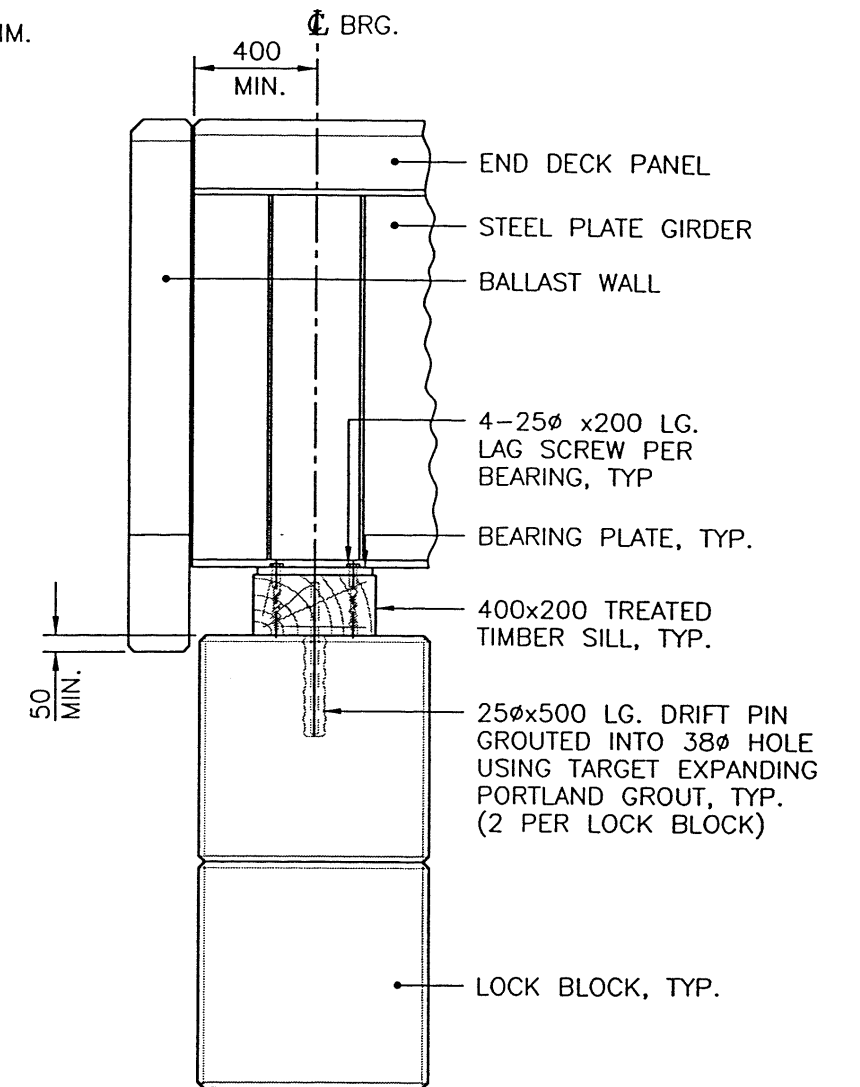


1/2 LOCK BLOCK ABUTMENT ELEVATION
1:25



LOCK BLOCK ABUTMENT SECTION
1:25

ASSUME NOT TO SCALE

Province of British Columbia
MINISTRY OF FORESTS
RESOURCE TENURES and ENGINEERING BRANCH

STANDARD BRIDGE DRAWING

TIMBER CAP & LOCK BLOCK ABUTMENT CONCEPT

DESIGNED BY: JULIEN HENLEY
DATE: June 1999

APPROVED BY: [Signature]
MOF ENGINEER

FILE No. STD-E-050-32

SCALE AS SHOWN

Designed: J.H. Date: MAY 1998
Checked: J.J.H. Date: MAY 1998
Drawn: J.E.H. Date: MAY 1998

Rev	Date	DESCRIPTION	Init

REVISIONS

CANCEL PRINTS BEARING PREVIOUS LETTER