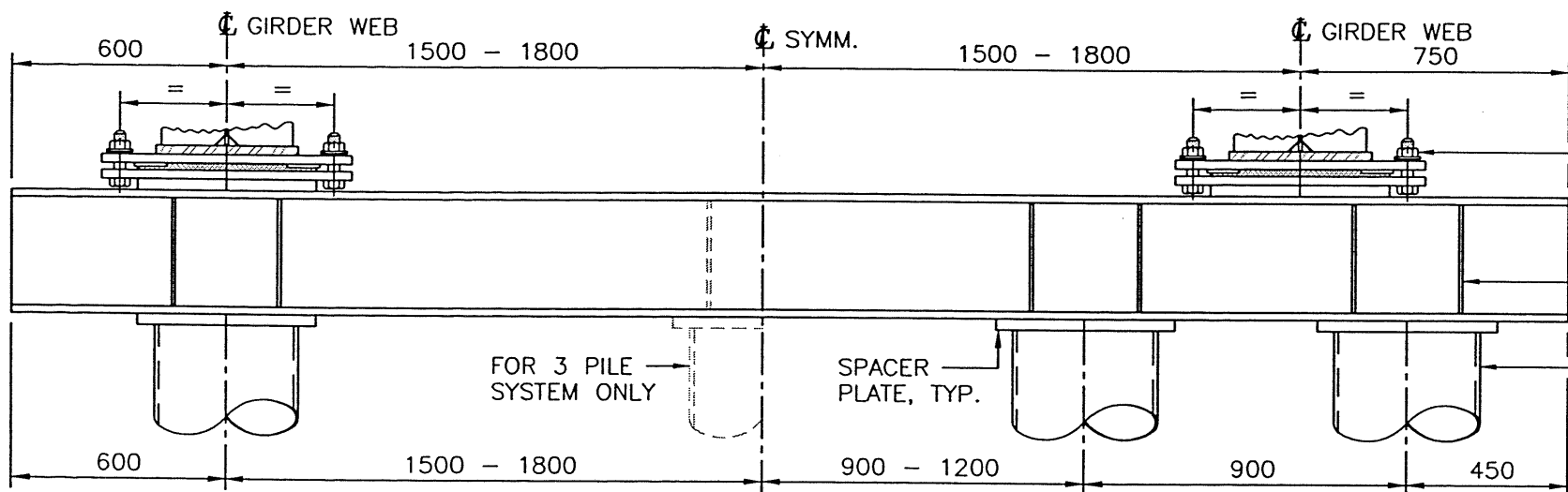


FOR 2 & 3 PILES or 2 COLUMNS

FOR 4 PILES

PRECAST CONCRETE CAP BEAM ELEVATION

1:20

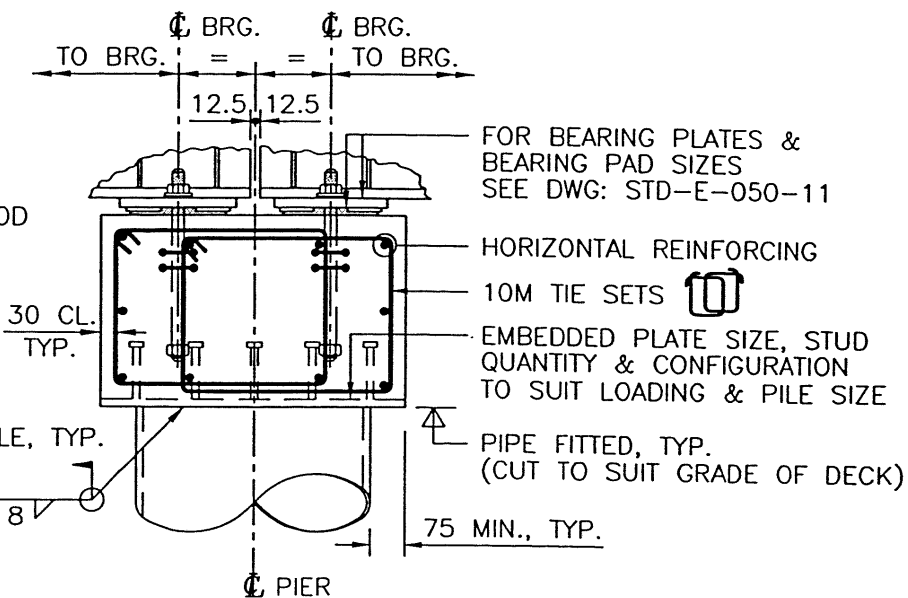


FOR 2 & 3 PILES or 2 COLUMNS

FOR 4 PILES

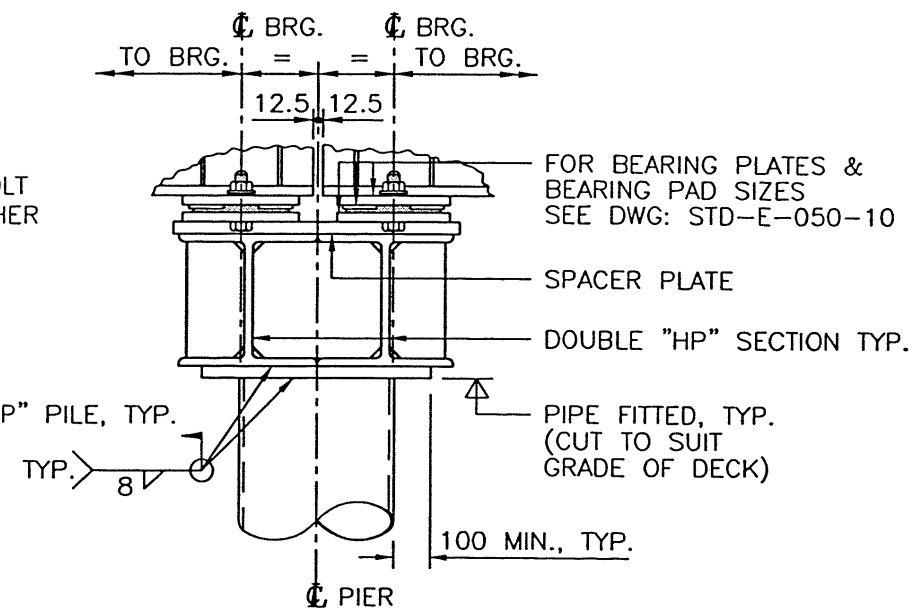
STEEL CAP BEAM ELEVATION

1:20



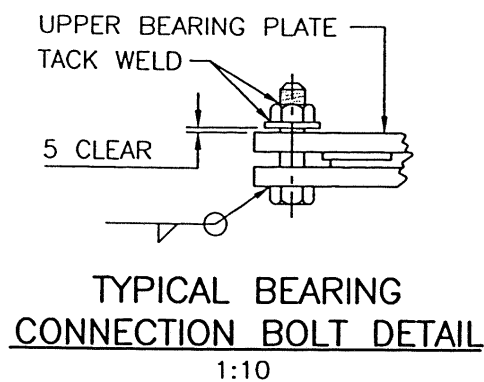
PRECAST CONCRETE CAP BEAM SECTION

1:20



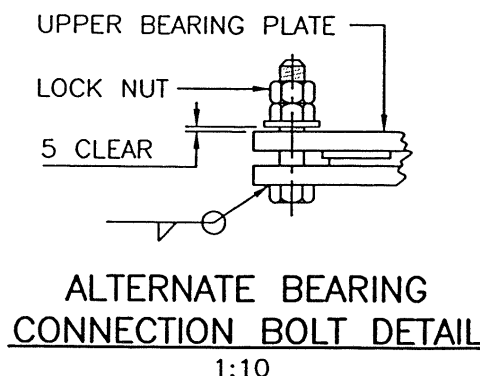
ALT. STEEL CAP BEAM SECTION

1:20



TYPICAL BEARING CONNECTION BOLT DETAIL

1:10




ALTERNATE BEARING CONNECTION BOLT DETAIL

1:10


ASSUME NOT TO SCALE

SCALE AS SHOWN		Designed: J.H.	Date: MAY 1998
		Checked: D.J.H.	Date: MAY 1998
		Drawn: J.E.M.	Date: MAY 1998
Rev	Date	DESCRIPTION	Init
REVISIONS			


Province of British Columbia
 MINISTRY OF FORESTS
 RESOURCE TENURES and ENGINEERING BRANCH

STANDARD BRIDGE DRAWING

CONCEPTUAL PIER CAP BEAM

ORIGINAL SIGNED and SEALED BY: CONCEPTUAL ONLY	APPROVED BY:  MOF ENGINEER
DESIGN ENGINEER JULIEN HENLEY	DATE June/99
DATE JULIEN HENLEY	DATE June/99
FILE No.	DRAWING No. STD-E-050-21

CANCEL PRINTS BEARING PREVIOUS LETTER