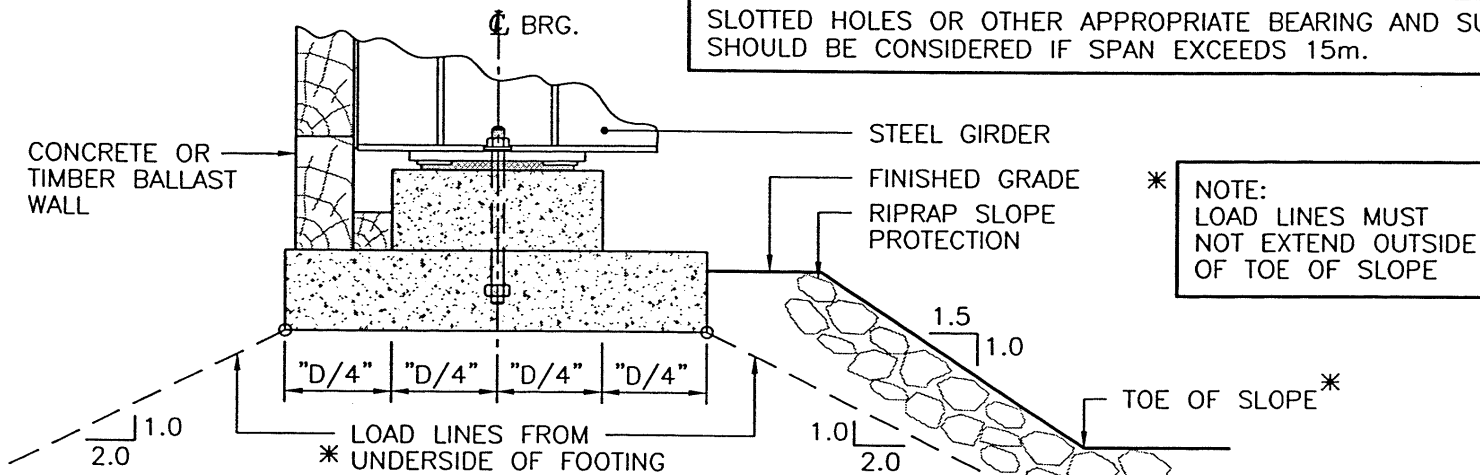


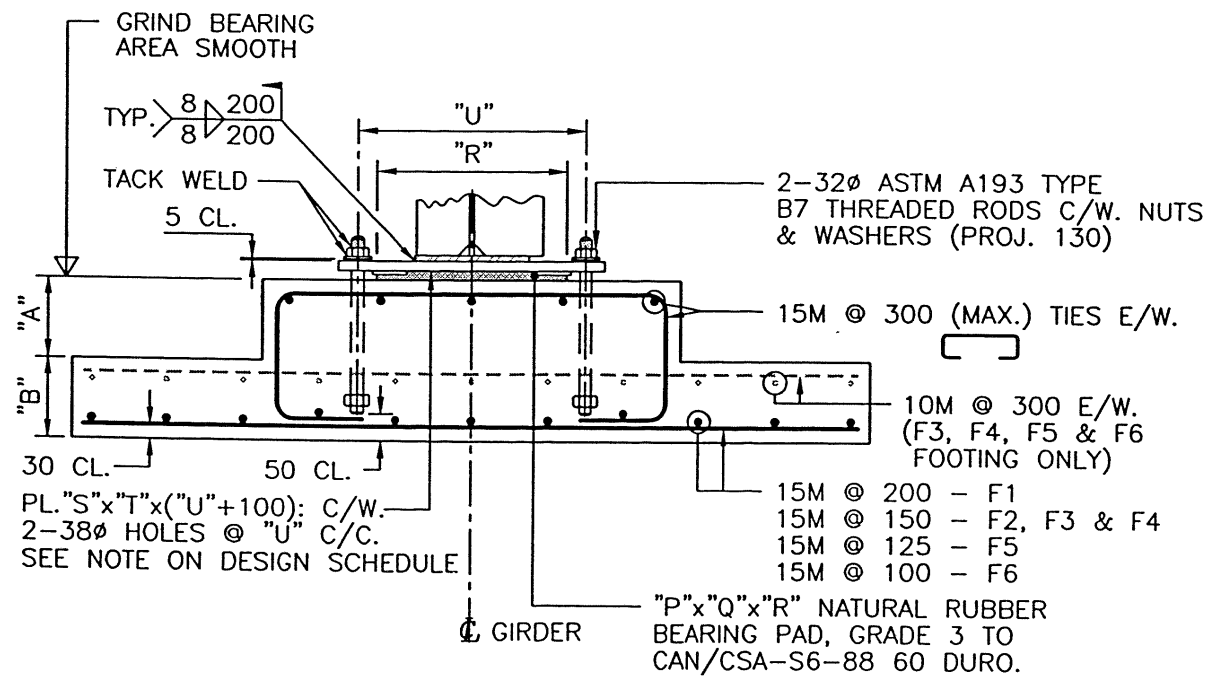
PRECAST CONCRETE FOOTING PLAN
1:20



ABUTMENT PART ELEVATION
1:20

DESIGN SCHEDULE											
FOOTING TYPE	FOOTINGS				WEIGHT (kg)	BEARINGS					
	FOOTING SIZE					BEARING PAD			U. BRG. PL.		
	"A" (mm)	"B" (mm)	"C" (mm)	"D" (mm)		"P" (mm)	"Q" (mm)	"R" (mm)	"S" (mm)	"T" (mm)	"U" (mm)
F1	150	225	2000	1000	1260	350	25	450	400	19	550
F2	175	250	2400	1200	2030	400	25	500	450	25	600
F3	200	300	2700	1400	3180	450	25	550	500	25	650
F4	225	350	2900	1500	4250	450	25	550	500	25	650
F5	225	350	3200	1600	5000	500	25	550	550	25	650
F6	225	350	3500	1800	6150	550	25	600	600	32	700

SLOTTED HOLES OR OTHER APPROPRIATE BEARING AND SUBSTRUCTURE DETAILS SHOULD BE CONSIDERED IF SPAN EXCEEDS 15m.



PRECAST CONCRETE FOOTING DETAIL
1:20

BRIDGE SCHEDULE				
FOOTING	MAX. SPAN FOR LOADING SHOWN			
	L75	L100	L150	L165
F1	12 000			
F2	20 000	14 000	10 000	
F3	30 000	20 000	14 000	10 000
F4	40 000	28 000	16 000	14 000
* F5		38 000	24 000	20 000
* F6		40 000	34 000	30 000

SPAN LENGTHS LIMITED TO 40 METRES.
* USE FOR 3600 GIRDER CENTERS ONLY

NOTES

1. DESIGN: CAN/CSA-S6-88 (MODIFIED).
2. FOR LOADING REFER TO DWG. STD-E-030-01
3. STEEL: CSA G40.21M GRADE 350A (SECTIONS)
4. WELDING: CSA W59 6 F.W. U/N.
5. PRECAST CONCRETE: CSA A23.4-94 BY CSA CERTIFIED PLANT.
6. REINFORCING: CSA G30.18M GRADE 400.
7. BEARING: FOOTINGS ARE DESIGNED FOR 200 KPa ALLOWABLE BEARING PRESSURE. REGULATE UNEVEN SUBGRADE USING GRANULAR MATERIAL COMPACTED TO MINIMUM 98% STANDARD PROCTOR DENSITY OR BED FOOTINGS ON WET CONCRETE. IN SOFT SUBGRADES, USE PILES OR OBTAIN ENGINEERING ADVICE.

ASSUME NOT TO SCALE

Rev	Date	DESCRIPTION	Init

DESIGNED: J.H. Date: MAY 1998
CHECKED: D.L.H. Date: MAY 1998
DRAWN: J.E.M. Date: MAY 1998

Province of British Columbia
MINISTRY OF FORESTS
RESOURCE TENURES and ENGINEERING BRANCH

STANDARD BRIDGE DRAWING

STANDARD SUBSTRUCTURE DETAILS SHEET 2

ORIGINAL SIGNED and SEALED BY: DAVID I. HARVEY
APPROVED BY: *[Signature]*

DESIGN ENGINEER: KEITH HOLMES
MOF ENGINEER: *[Signature]*

DATE: June 1999
DATE: *[Signature]*

FILE No. *[Signature]*
DRAWING No. *[Signature]*

STD-E-050-11

CANCEL PRINTS BEARING PREVIOUS LETTER