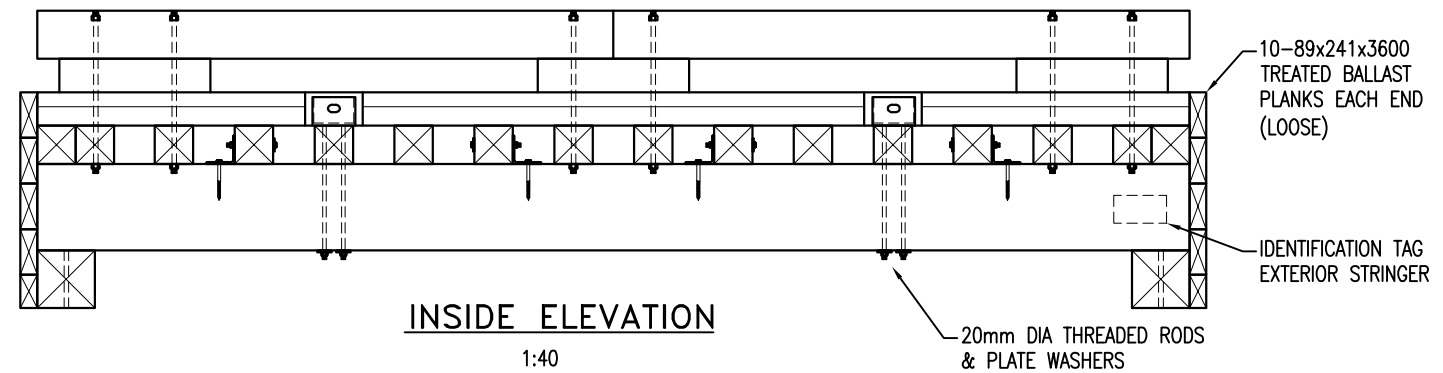
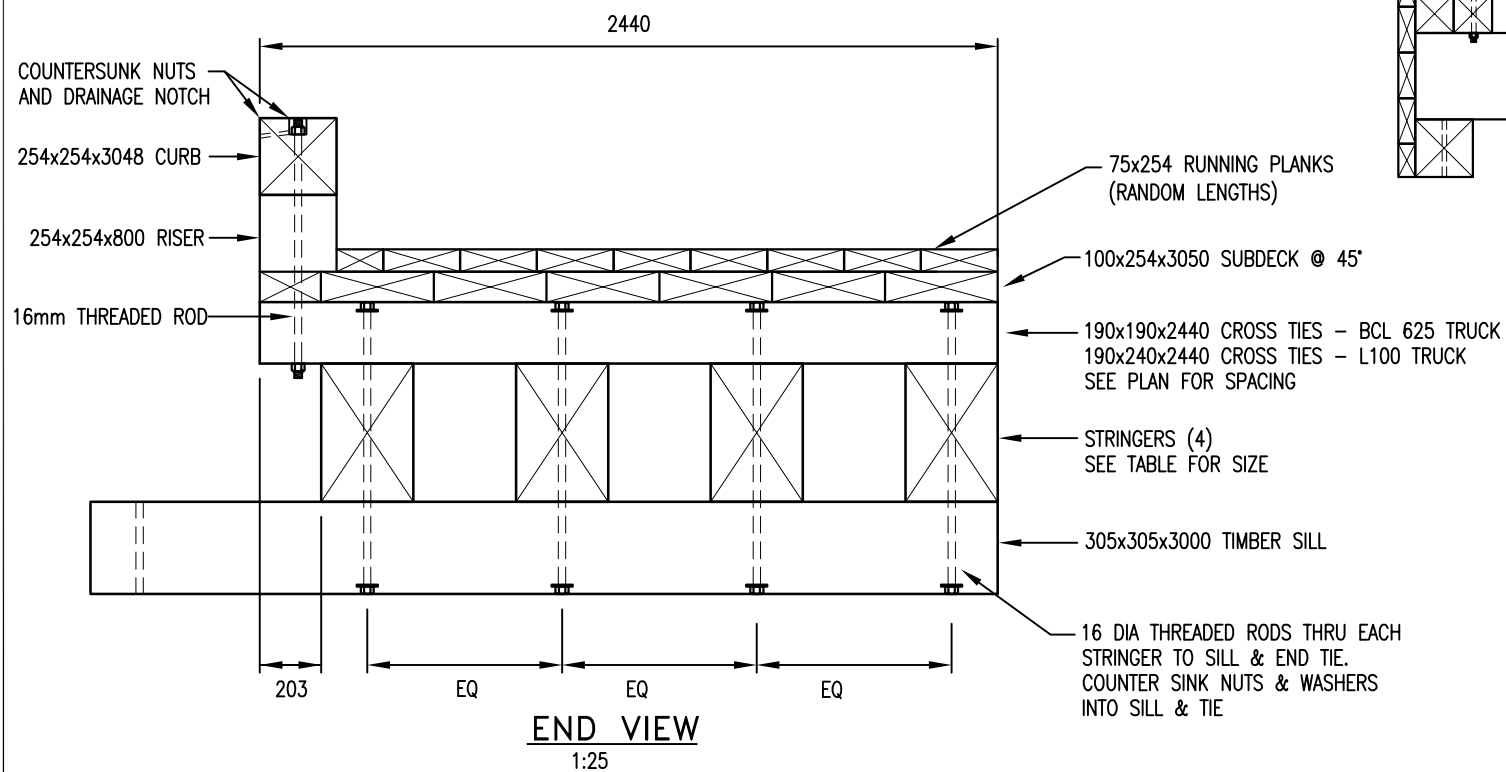
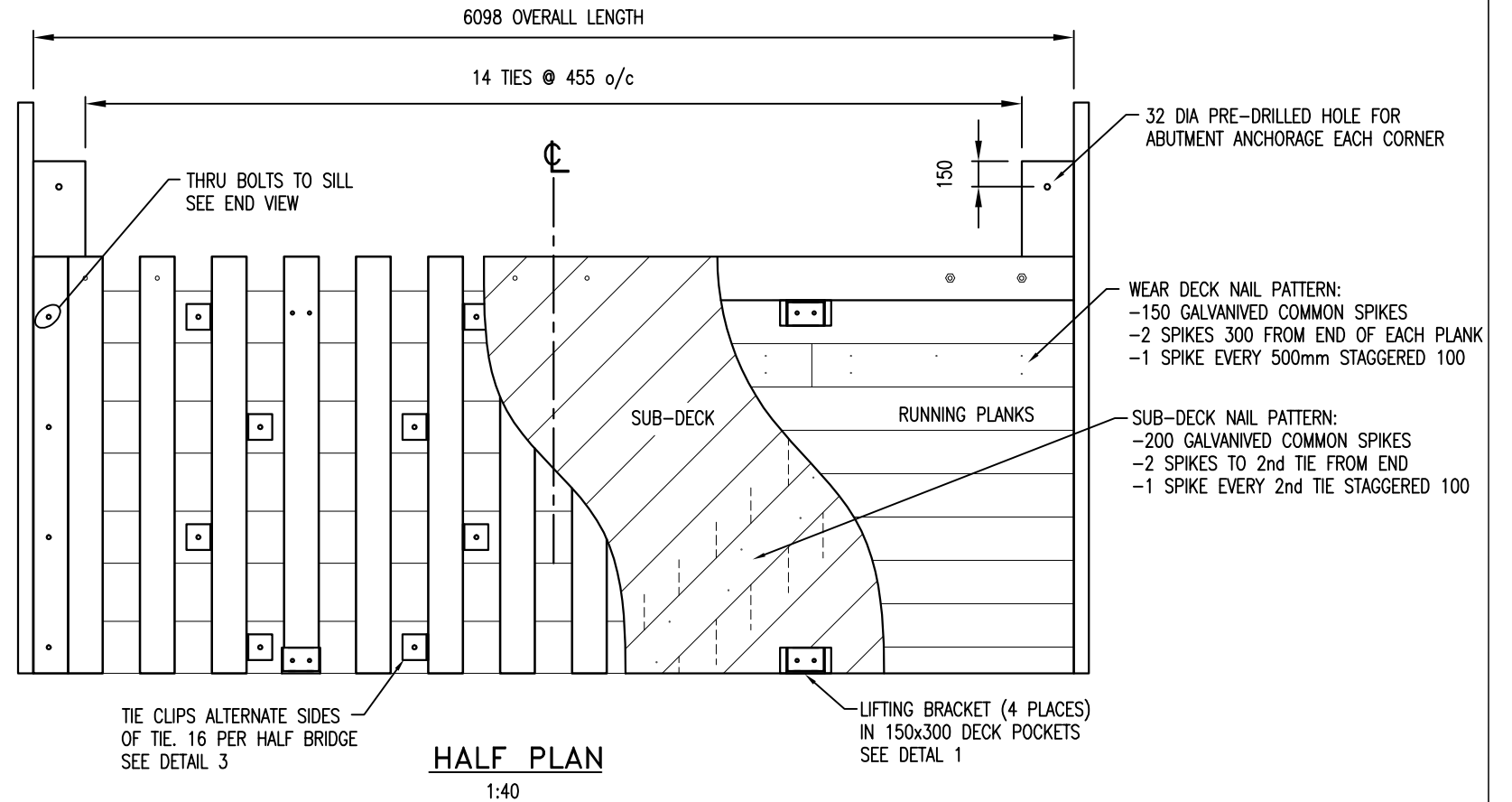



STRINGER SIZE TABLES

BCL-625 TRUCK LOAD (190 x 190 CROSS TIES)			WEIGHT (PER BRIDGE HALF)
SPECIES	GRADE	STRINGER SIZE	
D.Fir/LARCH	No.1	305mm x 460mm (12"x18")	6892 kg (15200 lbs)
HEM-FIR	No.1	330mm x 510mm (13"x20")	6981 kg (15400 lbs)
SPF	No.1	355mm x 510mm (14"x20")	6736 kg (14900 lbs)

BCFS L100 TRUCK LOAD (190 x 241 CROSS TIES)			
SPECIES	GRADE	STRINGER SIZE	
D.Fir/LARCH	No.1	355mm x 508mm (14"x20")	7794 kg (17200 lbs)
HEM-FIR	No.1	380mm x 560mm (15"x22")	7835 kg (17300 lbs)
SPF	No.1	400mm x 560mm (16"x22")	7555 kg (16700 lbs)

ASSUME NOT TO SCALE
ORIGINAL SIGNED AND SEALED





Ministry of Forests and Range
ENGINEERING BRANCH, FIELD OPERATIONS DIVISION

Rev	Date	DESCRIPTION	Init
1	10/04/06	L100 STRINGER SIZE MODIFICATIONS	ABS
0	10/03/26	ISSUED FOR FABRICATION	ABS
A	10/03/17	FDR MINISTRY APPROVAL	ABS

SCALE AS SHOWN

Designed: ABS Date 2010/03/17
Checked: LT Date 2010/03/17
Drawn: ABS Date 2010/03/17

STANDARD BRIDGE DRAWING

6.1 M SPAN TIMBER PORTABLE BRIDGE
PLAN & ELEVATIONS

ORIGINAL SIGNED and SEALED BY: A. B. SWAN, P.Eng	MFR ENGINEER: GARY McCLELLAND, P. ENG DREW ALWAY, P. ENG, RPF
DESIGN ENGINEER: DATE	APPROVED BY: BRIAN CHOW, P. ENG, CHIEF ENGINEER DATE
FILE No.	DRAWING No. STD-E-025-02 1

REVISIONS

CANCEL PRINTS BEARING PREVIOUS LETTER

2009/02/19 \\STUDY-PC\Public\Documents\ACAD Dwg