



Ministry of Forests


ENGINEERING BRANCH

STANDARD BRIDGE DRAWINGS:
**PRECAST REINFORCED
CONCRETE SLAB BRIDGE**

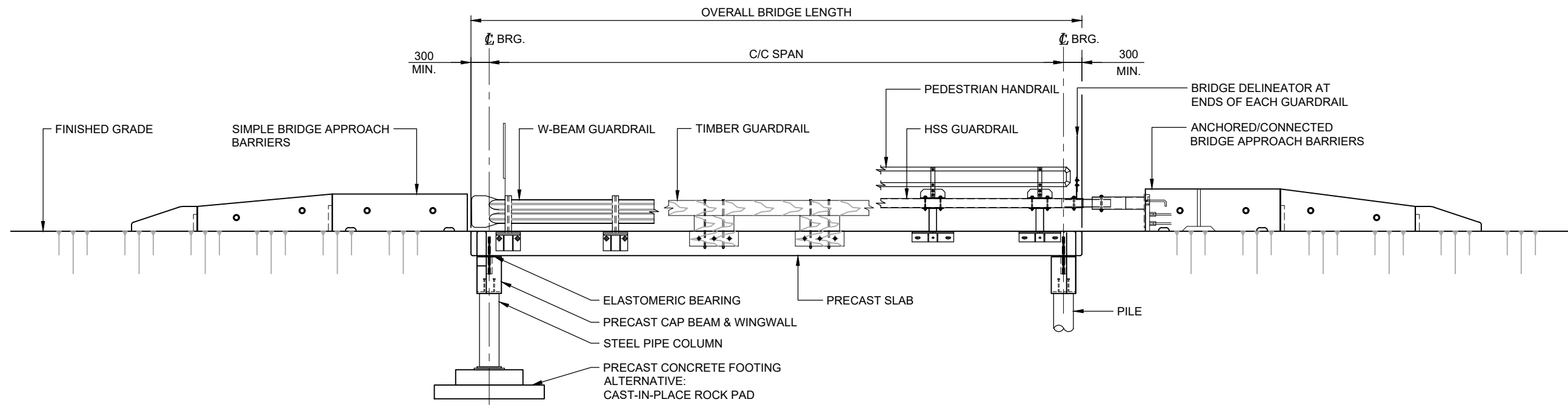
DRAWING SCHEDULE			
DRAWING NUMBER	DRAWING TITLE	REV.	DATE
STD-EC-070-01	GENERAL NOTES	1	JUNE 28, 2023
STD-EC-070-02	GENERAL ARRANGEMENT	2	JUNE 28, 2023
STD-EC-070-03	SLAB DETAILS	2	JUNE 28, 2023
STD-EC-070-04	SHEAR CONNECTION DETAILS	1	JUNE 28, 2023

1. GENERAL NOTES

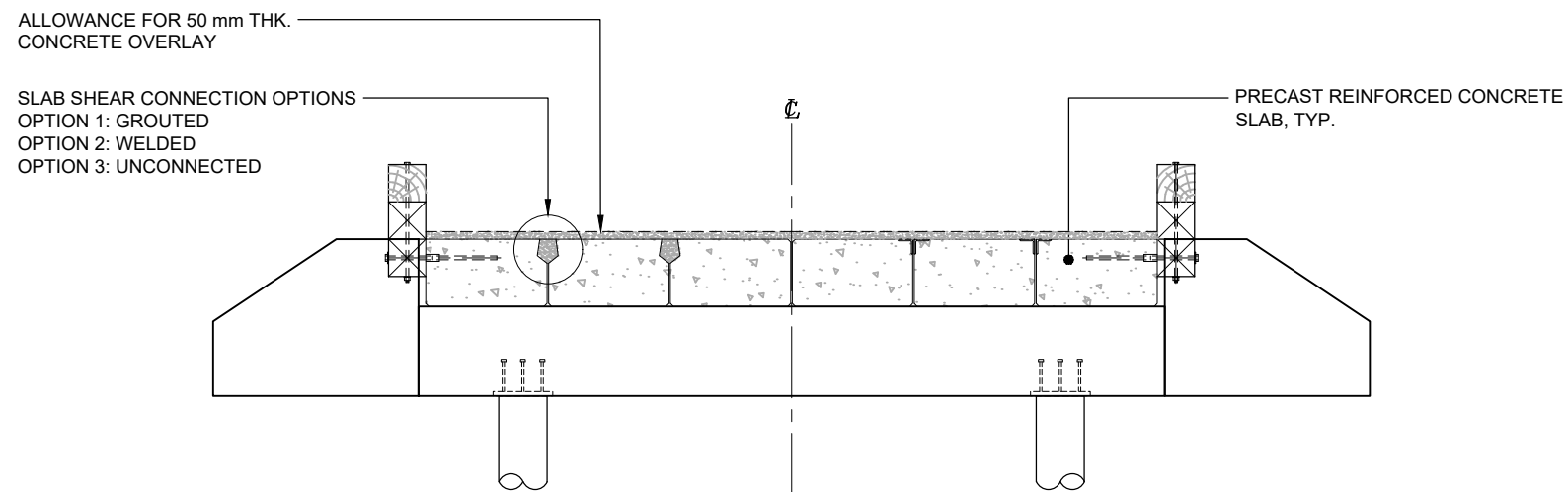
- 1.1. THESE STANDARD DRAWINGS APPLY TO SIMPLE SINGLE SPAN SOLID, SHEAR-CONNECTED AND NON-SHEAR-CONNECTED PRECAST CONCRETE SLAB BRIDGES.
- 1.2. MINISTRY STANDARD DRAWINGS PROVIDE STANDARDS THAT SHALL BE USED, WHERE APPROPRIATE, BY ENGINEERS RESPONSIBLE FOR SPECIFIC FOREST SERVICE ROAD (FSR) PROJECTS.
- 1.3. STANDARD DRAWINGS ARE NOT TO BE USED DIRECTLY FOR CONSTRUCTION (I.E.; FABRICATION AND/OR INSTALLATION.) PROJECT SPECIFIC DRAWINGS SHALL BE CREATED FOR CONSTRUCTION OF SPECIFIC PROJECTS.
- 1.4. ENGINEERS INVOLVED WITH SPECIFIC PROJECTS SHALL DETERMINE WHETHER STANDARD DRAWING REQUIREMENTS ARE APPROPRIATE FOR THEIR PROJECT. IF THEY DETERMINE THAT CERTAIN REQUIREMENTS ARE INAPPROPRIATE, THEY SHALL PROPOSE VARIATIONS FOR APPROVAL BY THE MINISTRY ENGINEER.
- 1.5. APPLICABLE SLAB SPANS:
 - TYPICAL APPLICABLE SLAB SPAN IS 4 m TO 15 m.
 - SLAB SPANS GREATER THAN 15 m OR MULTI-SPAN BRIDGES WILL REQUIRE SPECIAL INVESTIGATION. DETAILS TO BE APPROVED BY THE MINISTRY ENGINEER PRIOR TO USE.
- 1.6. ALL WORK BASED ON THESE DRAWINGS SHALL BE UNDERTAKEN IN ACCORDANCE WITH THE MINISTRY BRIDGE STANDARDS MANUAL (BSM), INCLUDING BUT NOT LIMITED TO:
 - DESIGN;
 - MATERIALS AND FABRICATION;
 - LIFTING, TRANSPORTATION AND INSTALLATION; AND
 - CERTIFICATION AND QUALITY CONTROL
- 1.7. WHERE APPLICABLE, COMPONENTS SHOWN ON THESE DRAWINGS SHALL BE IN ACCORDANCE WITH THE FOLLOWING MINISTRY STANDARD DRAWINGS, DRAWING SERIES/SETS, OR CATEGORIES OF DRAWINGS:
 - BARRIERS
 - SUBSTRUCTURES.

REV #	DATE	REVISION DESCRIPTION	DRAFTING	DESIGN	CHECK / REVIEW	APPROVAL	
0	MAR. 30, 2010	ISSUED FOR PUBLICATION	W. RILEY (ASSOC. ENG.)	J. HENLEY (ASSOC. ENG.)	D. HARVEY (ASSOC. ENG.)	B. CHOW (MINISTRY)	 STANDARD BRIDGE DRAWING
1	JUN. 28, 2023	NEW GENERAL NOTES	N. HARVEY (CREEKSIDE)	M. PENNER (MINISTRY)	J. HENLEY (ASSOC. ENG.)	J. HARVEY (MINISTRY)	
							PRECAST REINFORCED CONCRETE SLAB BRIDGE
							SHEET 01 OF 04
							GENERAL NOTES
							DWG #: STD-EC-070-01

NOT FOR CONSTRUCTION
ASSUME NOT TO SCALE



BRIDGE ELEVATION (SHOWING SOME TYPICAL STANDARD COMPONENTS AND OPTIONS)
1:75




1/2 DECK - GROUTED JOINTS

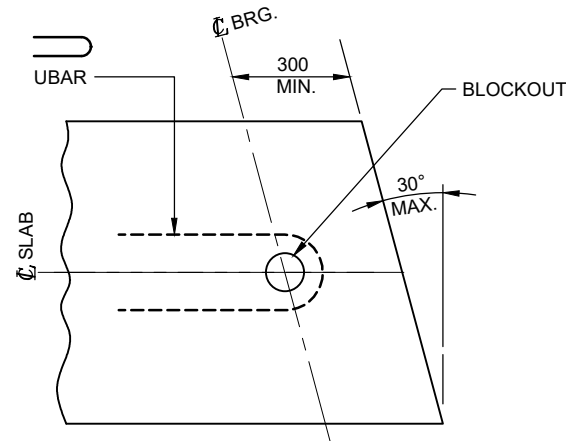
1/2 DECK - WELDED JOINTS

BRIDGE SECTION (SHOWING SOME TYPICAL STANDARD COMPONENTS AND OPTIONS)
1:50

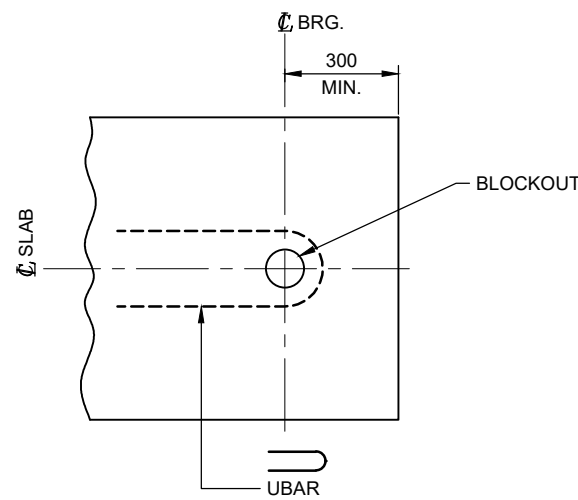
REV #	DATE	REVISION DESCRIPTION	DRAFTING	DESIGN	CHECK / REVIEW	APPROVAL
0	MAR. 30, 2010	ISSUED FOR PUBLICATION	W. RILEY (ASSOC. ENG.)	J. HENLEY (ASSOC. ENG.)	D. HARVEY (ASSOC. ENG.)	B. CHOW (MINISTRY)
1	APR. 14, 2011	REVISED DRAWING NUMBERS	W. RILEY (ASSOC. ENG.)	J. HENLEY (ASSOC. ENG.)	D. HARVEY (ASSOC. ENG.)	B. CHOW (MINISTRY)
2	JUN. 28, 2023	GENERAL DRAFTING UPDATES	N. HARVEY (CREEKSIDE)	M. PENNER (MINISTRY)	J. HENLEY (ASSOC. ENG.)	J. HARVEY (MINISTRY)


STANDARD BRIDGE DRAWING
PRECAST REINFORCED CONCRETE SLAB BRIDGE
 SHEET 02 OF 04
 GENERAL ARRANGEMENT
 DWG #: STD-EC-070-02

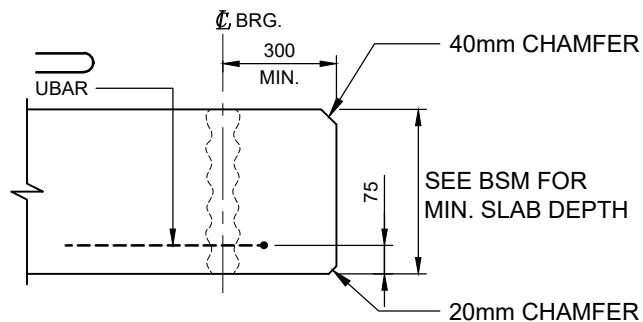
**NOT FOR CONSTRUCTION
ASSUME NOT TO SCALE**



PLAN - SKEWED SLAB END DETAIL
1:20



PLAN - SQUARE SLAB END DETAIL
1:20

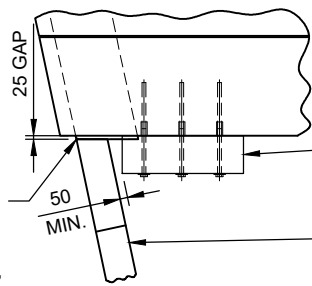


ELEVATION - SLAB END DETAIL
1:20

NOTE; TWO DOWELS AND TWO BLOCKOUTS (ALONG BEARING CENTERLINE) PER SLAB END MAY BE REQUIRED FOR WIDE SLABS AND/OR WHEN CONNECTION FORCES EXCEED THE CAPACITY OF A SINGLE DOWEL CONNECTION.

**NOT FOR CONSTRUCTION
ASSUME NOT TO SCALE**

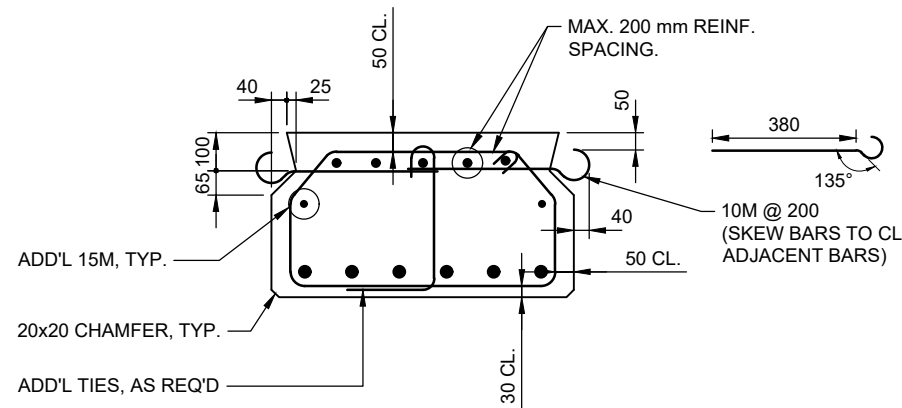
FOR SHEAR CONNECTED SLAB BRIDGES WITH CAP BEAM/WING WALLS. FILL VERTICAL GAP WITH EVAZOTE, GLUED TO WING WALL



DETAILING AT EXTERIOR SLAB END
1:50

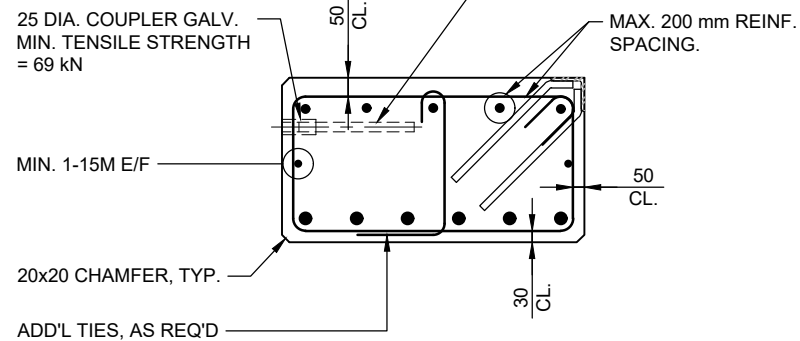
LOCATE GUARDRAIL BRACKET TO AVOID CONFLICT WITH WING WALL AND ANY OTHER SUBSTRUCTURE COMPONENTS

EXAMPLE SUBSTRUCTURE COMPONENT



INTERIOR SLAB DETAIL (GROUTED SHEAR CONNECTION)
1:20

FOR CL-1 OR CL-2 GUARDRAIL ANCHORAGE: 25M x 430 LG. REINF. THREADED ONE END. FOR NUMBER AND LOCATION, REFER TO THE STANDARD BARRIER DRAWINGS. FOR CL-3 GUARDRAIL ANCHORAGE: REFER TO THE STANDARD BARRIER DRAWINGS.

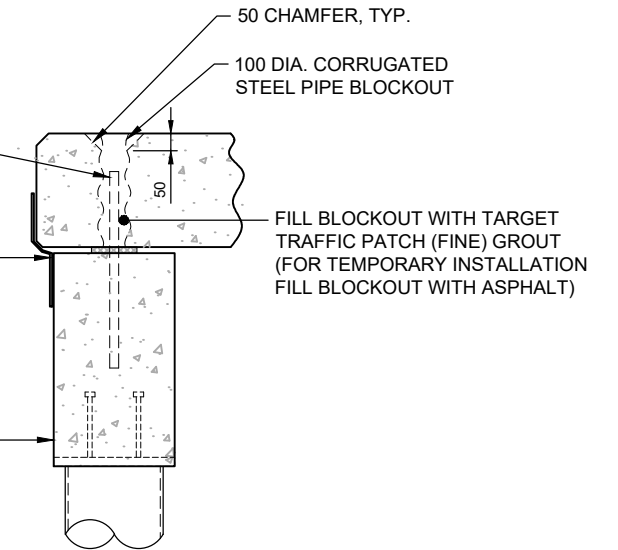


EXTERIOR SLAB DETAIL (WELDED SHEAR CONNECTION)
1:20

DOWEL (MIN. NUMBER OF DOWELS AS PER BRIDGE STANDARDS MANUAL)

FOR SHEAR CONNECTED BRIDGES ONLY: CONTINUOUS DURABLE JOINT WATERPROOFING TO BE DETAILED ON STRUCTURAL DESIGN DRAWINGS FOR BOTH HORIZONTAL AND VERTICAL JOINTS.

REFER TO STANDARD SUBSTRUCTURE DRAWINGS FOR SUBSTRUCTURE DETAILS



SLAB GIRDER END DOWEL AND WATERPROOFING DETAILS
1:25



STANDARD BRIDGE DRAWING

PRECAST REINFORCED CONCRETE
SLAB BRIDGE

SHEET 03 OF 04

SLAB DETAILS

DWG #: STD-EC-070-03

REV #	DATE	REVISION DESCRIPTION	DRAFTING	DESIGN	CHECK / REVIEW	APPROVAL
0	MAR. 30, 2010	ISSUED FOR PUBLICATION	W. RILEY (ASSOC. ENG.)	J. HENLEY (ASSOC. ENG.)	D. HARVEY (ASSOC. ENG.)	B. CHOW (MINISTRY)
1	OCT. 08, 2018	REVISED DIMENSIONS	W. RILEY (ASSOC. ENG.)	J. HENLEY (ASSOC. ENG.)	D. HARVEY (ASSOC. ENG.)	B. CHOW (MINISTRY)
2	JUN. 28, 2023	GENERAL DRAFTING UPDATES INCL. NEW WATERPROOFING DETAILS	N. HARVEY (CREEKSIDE)	M. PENNER (MINISTRY)	J. HENLEY (ASSOC. ENG.)	J. HARVEY (MINISTRY)

