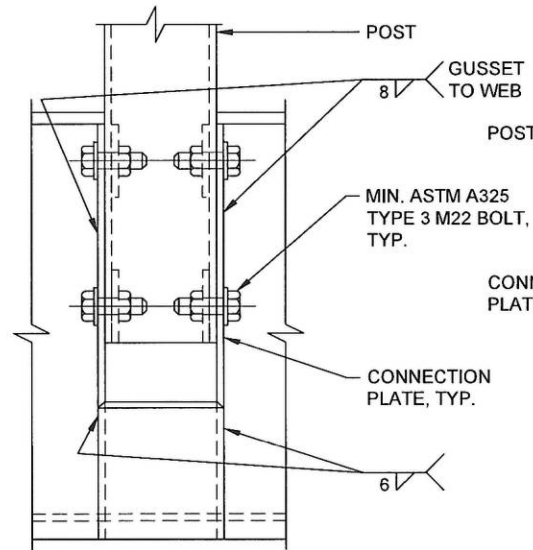
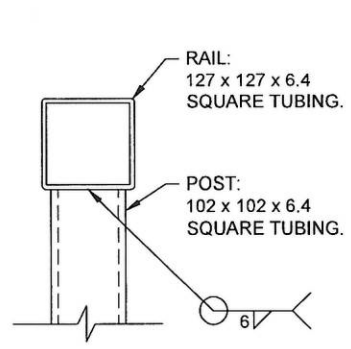
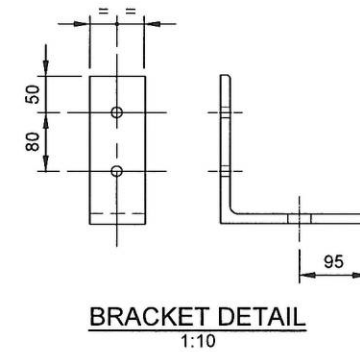
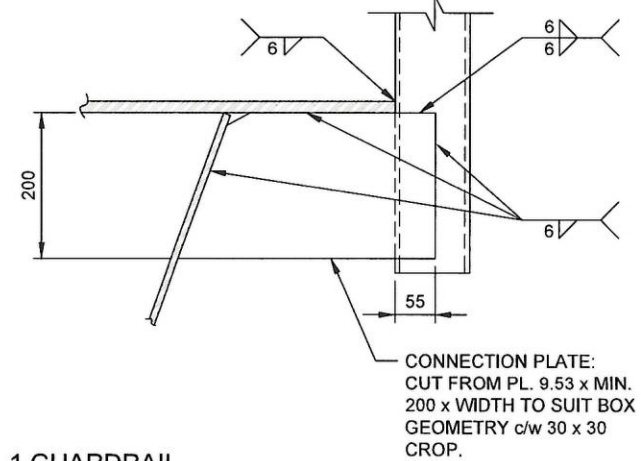


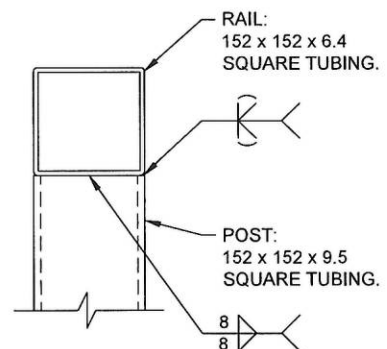
**CL-3 GUARDRAIL
BOLTED POST CONNECTION DETAIL**
1:10



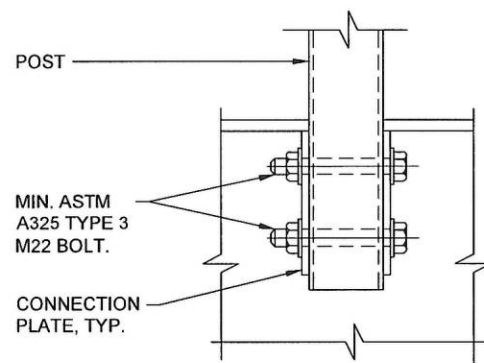
**CL-1 GUARDRAIL
WELDED POST CONNECTION DETAIL**
1:10



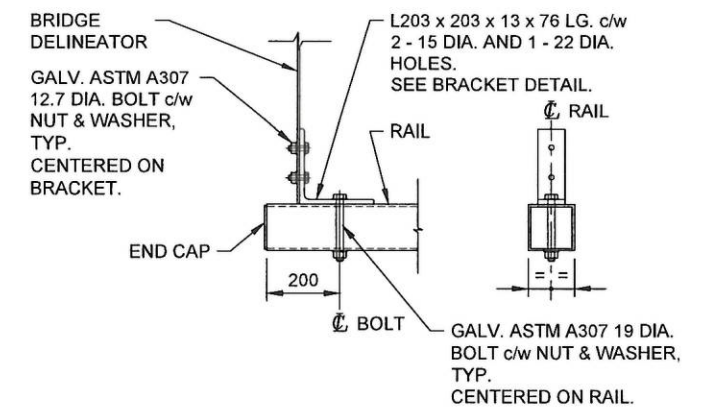
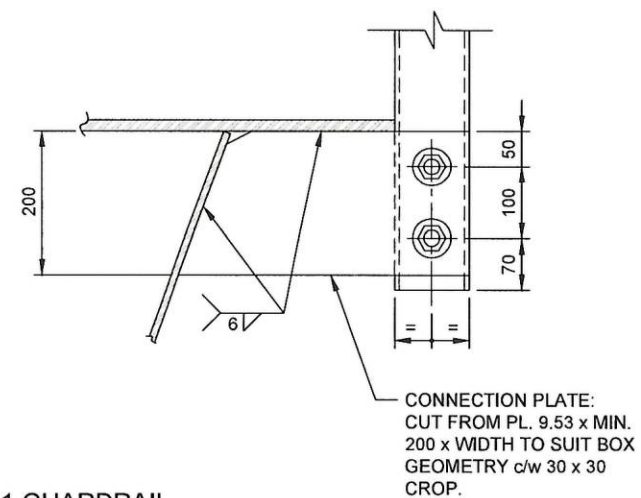
**CL-1 GUARDRAIL
POST TO RAIL
CONNECTION DETAIL**
1:10



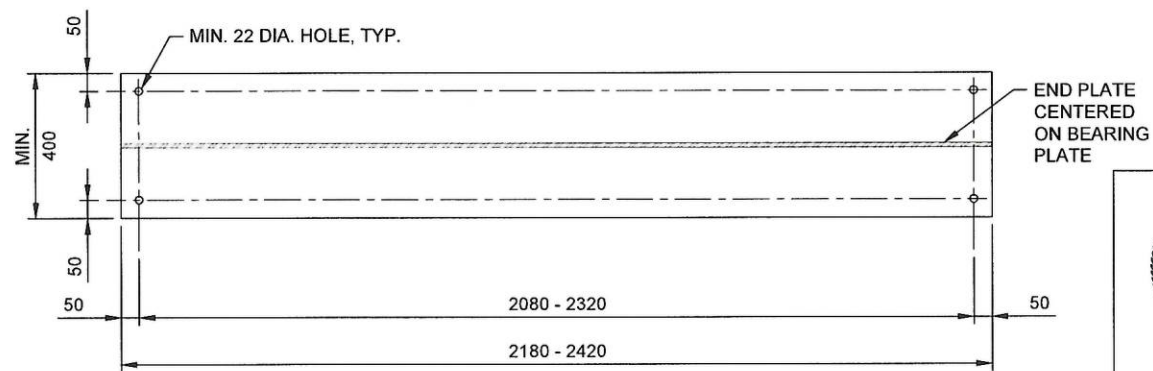
**CL-3 GUARDRAIL
POST TO RAIL
CONNECTION DETAIL**
1:10



**CL-1 GUARDRAIL
BOLTED POST CONNECTION DETAIL**
1:10



DELINEATOR BRACKET ATTACHMENT DETAIL
1:20



BEARING PLATE DETAIL
1:20

PERMIT TO PRACTICE
ASSOCIATED ENGINEERING (B.C.) LTD.
PERMIT NUMBER: 1000163
Engineers & Geoscientists BC

REV #	DATE	REVISION DESCRIPTION	DRAFTING	DESIGN	DESIGN CHECK / REVIEW	PROF. OF RECORD
0	JAN. 26, 2022	ISSUED FOR PUBLICATION	W. RILEY (ASSOC. ENG.)	J. HENLEY (ASSOC. ENG.)	D. HARVEY (ASSOC. ENG.)	J. HENLEY (ASSOC. ENG.)

SEAL - ENGINEER OF RECORD

J. Henley
FEB 7, 2022
CHIEF ENGINEER (SIGNATURE)

STANDARD BRIDGE DRAWING

ALL-STEEL PORTABLE BRIDGE

SHEET 04 OF 05

STRUCTURAL DETAILS - SHEET 2

DWG #: STD-EC-091-04