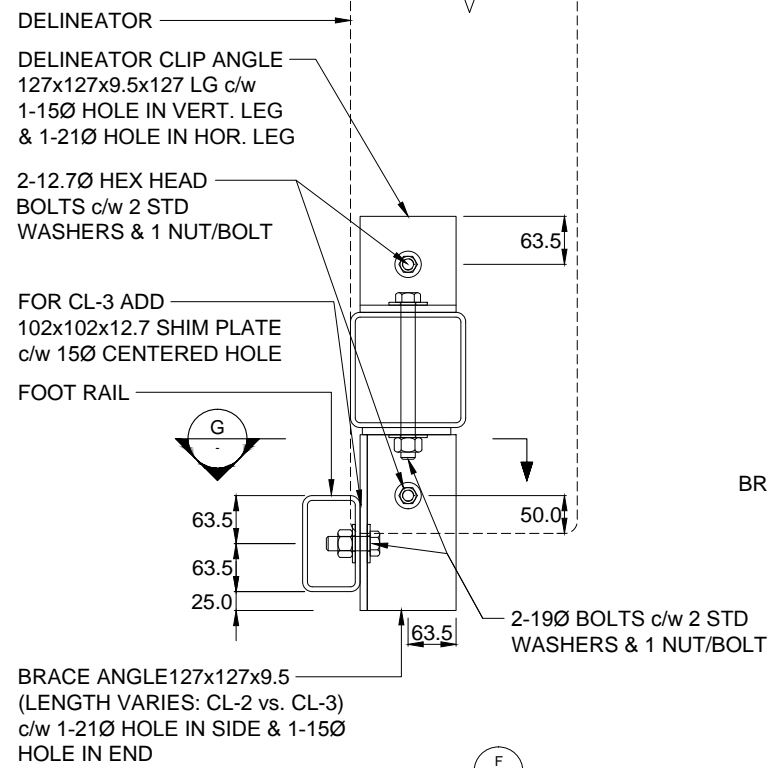
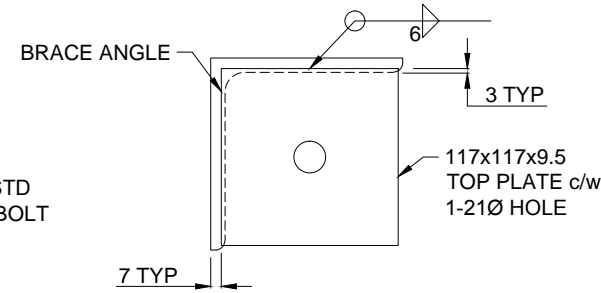


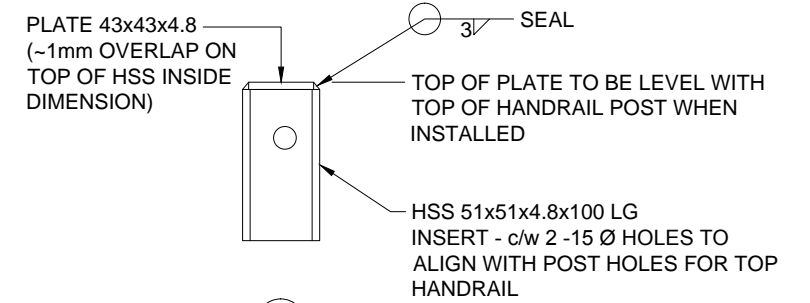
DETAIL $\frac{1}{10}$: RAIL END CONNECTIONS
(REAR MOUNTED OPTION ON CL-2 SHOWN)
1:20



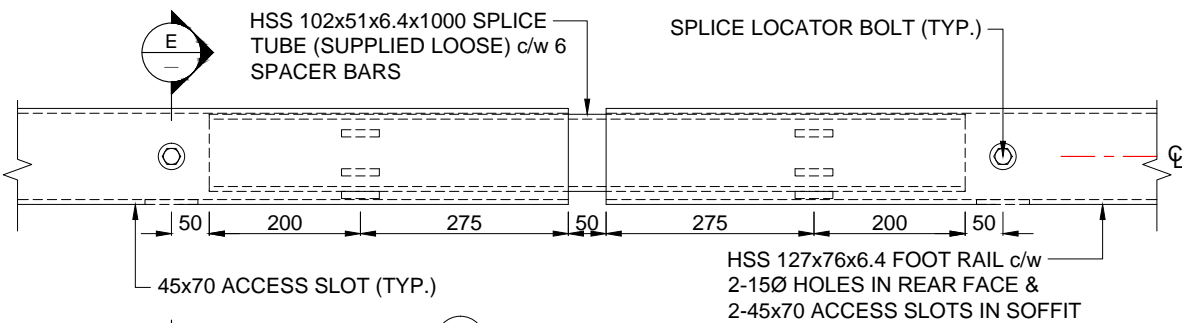
SECTION $\frac{F}{10}$:
(CL-2 SHOWN)
1:10



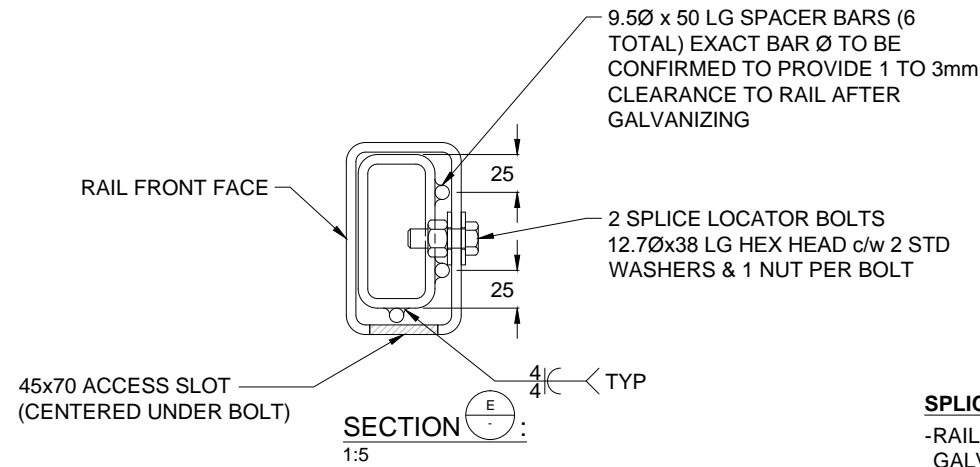
SECTION $\frac{G}{10}$:
BRACE ANGLE TOP PLATE
1:5



DETAIL $\frac{4}{10}$: HANDRAIL POST CAP - OPTIONAL
(TO BE SPECIFIED BY MINISTRY; WHERE REQ'D)
1:5



DETAIL $\frac{3}{10}$: FOOT RAIL SPLICE - REAR FACE
1:10

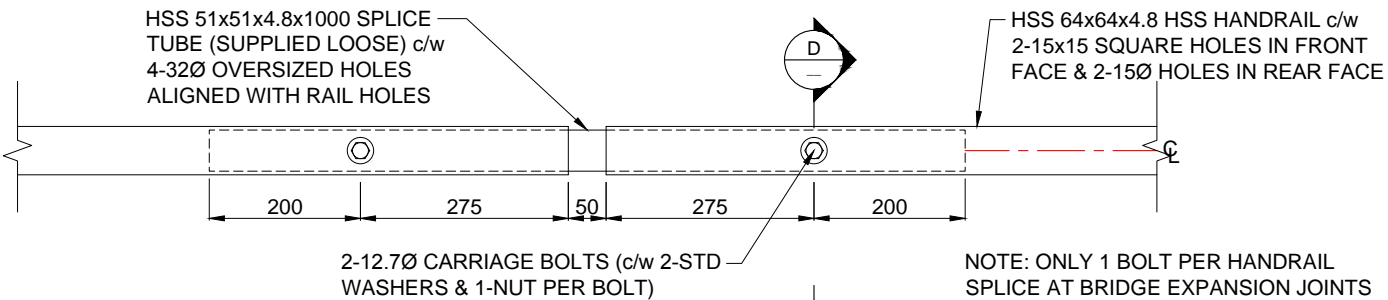


SECTION $\frac{E}{10}$:
1:5

**ASSUME NOT TO SCALE
NOT FOR CONSTRUCTION**

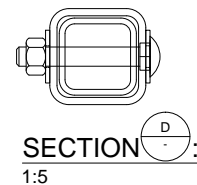
SPLICE NOTES:

- RAILING SUPPLIER TO ENSURE SPLICE TUBES SLIDE FREELY IN RAILS AFTER GALVANIZING.
- RAILING SUPPLIER MAY PROVIDE A CUSTOM BENT PLATE (6.4mm THICK x 1000mm LONG C/W COMPLETE PENETRATION WELD) SPLICE TUBE WITH 1 TO 3 mm CLEARANCE (ALL ROUND - TO RAIL) AS AN ALTERNATE FOOTRAIL SPLICE TUBE.



DETAIL $\frac{2}{10}$: HANDRAIL SPLICE - FRONT FACE
1:10

NOTE: ONLY 1 BOLT PER HANDRAIL SPLICE AT BRIDGE EXPANSION JOINTS



SECTION $\frac{D}{10}$:
1:5



SCALE AS SHOWN		Designed <u>M.P.</u> Date <u>Mar. 31, 2017</u>		
		Checked <u>J.N.</u> Date <u>Mar. 31, 2017</u>		
		Drawn <u>N.H.</u> Date <u>Mar. 31, 2017</u>		
REV	DATE	DESCRIPTION	INITIAL	
REVISIONS				

STANDARD BRIDGE DRAWING	
STANDARD BRIDGE PEDESTRIAN RAILINGS FOR ATTACHMENT TO CL-2 & CL-3 GUARDRAILS - DWG. 2 OF 2	
ORIGINAL SIGNED and SEALED BY: M. PENNER, P.ENG.	APPROVED BY: B. CHOW, P.ENG., CHIEF ENGINEER
FILE NUMBER:	DRAWING NUMBER: STD-EC-010-11
	0