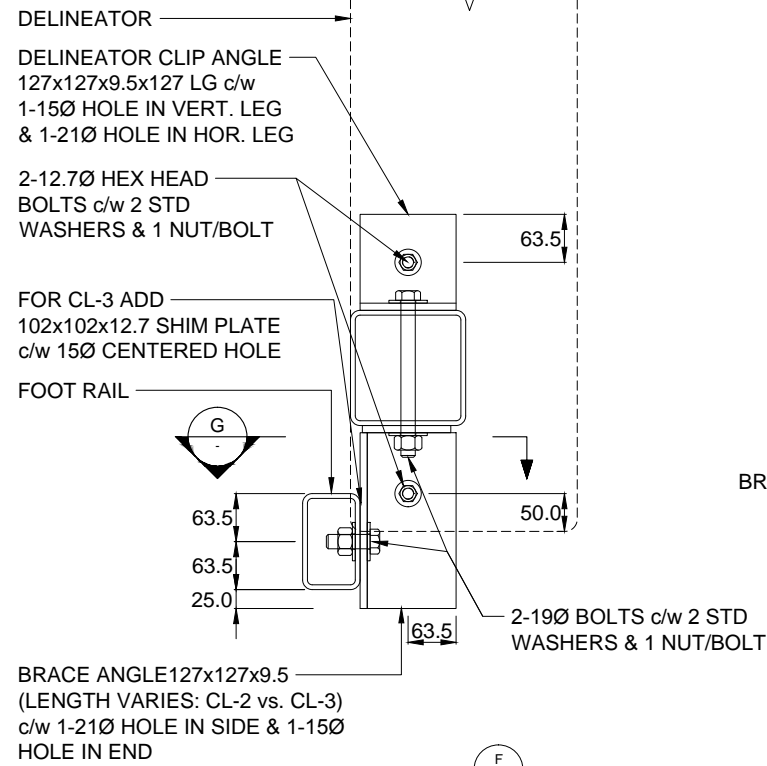
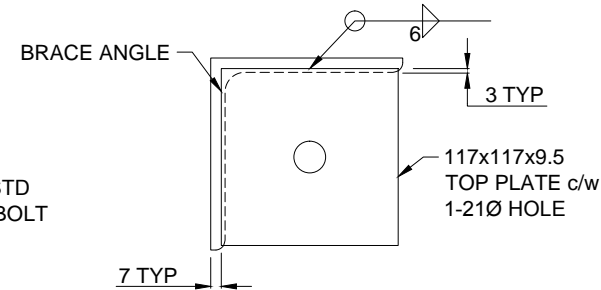


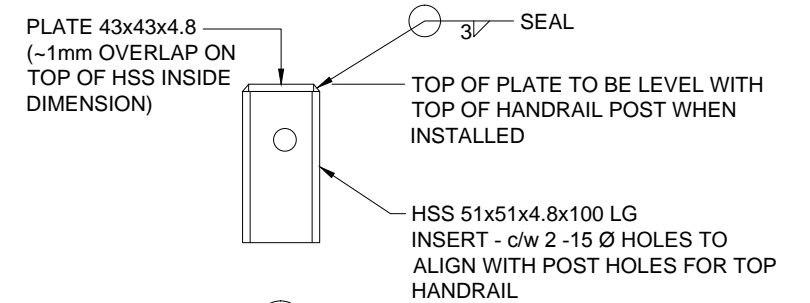
DETAIL 1: RAIL END CONNECTIONS
(REAR MOUNTED OPTION ON CL-2 SHOWN)
1:20



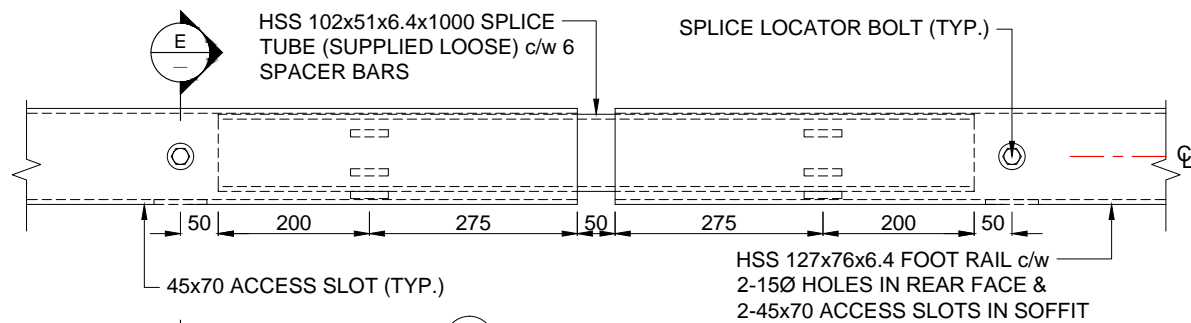
SECTION F:
(CL-2 SHOWN)
1:10



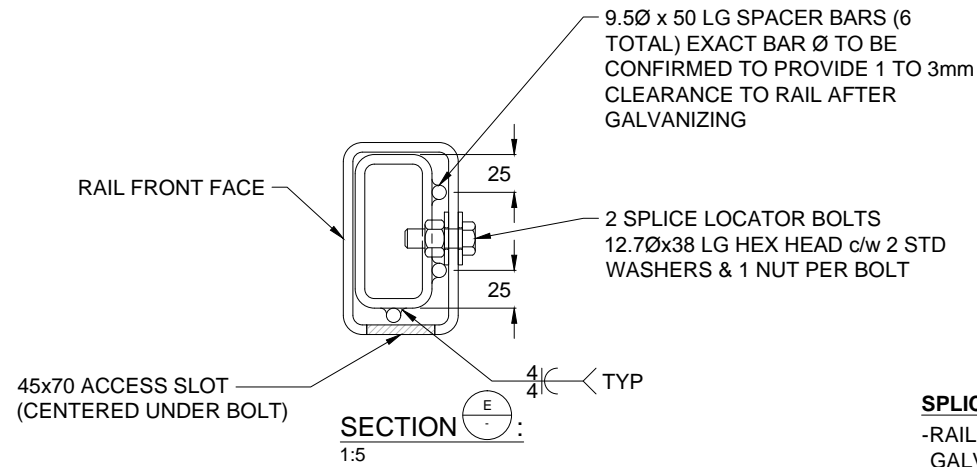
SECTION G:
BRACE ANGLE TOP PLATE
1:5



DETAIL 4: HANDRAIL POST CAP - OPTIONAL
(TO BE SPECIFIED BY MINISTRY; WHERE REQ'D)
1:5



DETAIL 3: FOOT RAIL SPLICE - REAR FACE
1:10

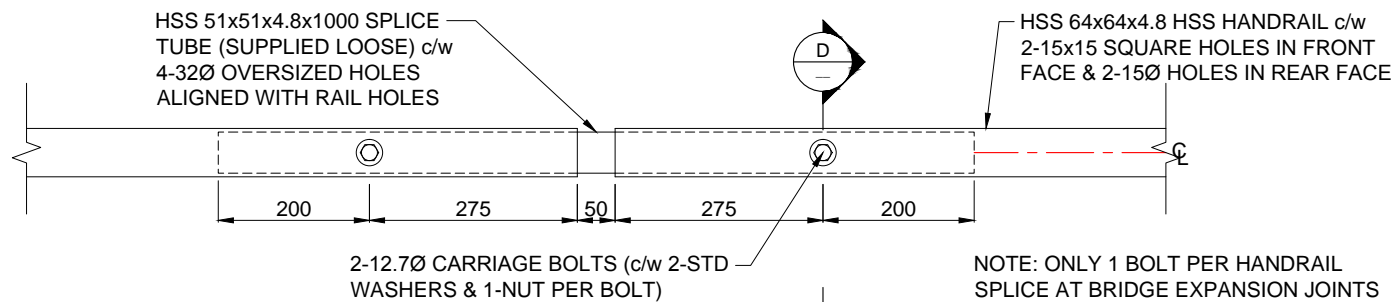


SECTION E:
1:5

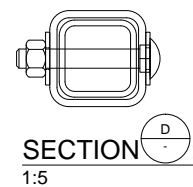
SPLICE NOTES:

- RAILING SUPPLIER TO ENSURE SPLICE TUBES SLIDE FREELY IN RAILS AFTER GALVANIZING.
- RAILING SUPPLIER MAY PROVIDE A CUSTOM BENT PLATE (6.4mm THICK x 1000mm LONG C/W COMPLETE PENETRATION WELD) SPLICE TUBE WITH 1 TO 3 mm CLEARANCE (ALL ROUND - TO RAIL) AS AN ALTERNATE FOOTRAIL SPLICE TUBE.

ASSUME NOT TO SCALE
ORIGINAL SIGNED AND SEALED



DETAIL 2: HANDRAIL SPLICE - FRONT FACE
1:10



SCALE AS SHOWN		Designed M.P. Date Mar. 31. 2017		
		Checked J.N. Date Mar. 31. 2017		
		Drawn N.H. Date Mar. 31. 2017		
REV	DATE	DESCRIPTION	INITIAL	
REVISIONS				

BRITISH COLUMBIA

MINISTRY OF FORESTS, LANDS AND
 NATURAL RESOURCE OPERATIONS

STANDARD BRIDGE DRAWING

STANDARD BRIDGE PEDESTRIAN RAILINGS FOR
ATTACHMENT TO CL-2 & CL-3 GUARDRAILS - DWG. 2 OF 2

ORIGINAL SIGNED and SEALED BY: M. PENNER, P.ENG.	APPROVED BY: B. CHOW, P.ENG., CHIEF ENGINEER
FILE NUMBER:	DRAWING NUMBER: STD-EC-010-11

0