

COPY

PROVINCE OF BRITISH COLUMBIA

Department of Lands, Forests, and Water Resources

FOREST SERVICE

IN THE MATTER OF TREE FARM LICENCE NUMBER 1

AMENDMENT NUMBER 62

Whereas the lands described hereinafter are within Tree Farm Licence Number 1 and are found to be required for a higher economic use than the growing of forest crops;

And whereas the withdrawal of the aforementioned lands together with any lands previously withdrawn does not diminish the productive capacity of the licence area to the extent provided in Clause 10 of the Tree Farm Licence;

Therefore pursuant to Subsection (14) of Section 36 of the Forest Act being Chapter 153 of the Revised Statutes of British Columbia, 1960 and pursuant to Clause 10 of the said Tree Farm Licence Number 1 the following lands are hereby withdrawn from the lands described in Schedule "B" of the said Tree Farm Licence, that is to say all that parcel or tract of land being more particularly shown in bold black on the sketch attached hereto and described as follows:

"Commencing at a point 157 chains East and 100 chains South of the South East corner of Lot 3411, Cassiar District; thence East 400 feet; thence South 400 feet; thence West 400 feet; thence North 400 feet to point of commencement containing 3.9 acres more or less."

and the said lands so withdrawn are and shall be henceforth no longer subject to or form any part of the said Tree Farm Licence Number 1.

Dated at the City of Victoria in the Province of British Columbia this . . . . . day of . . . . . 1973.

*(the lease) on a year to year basis only*

*[Handwritten Signature]*

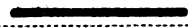
Minister of Lands, Forests, and Water Resources.

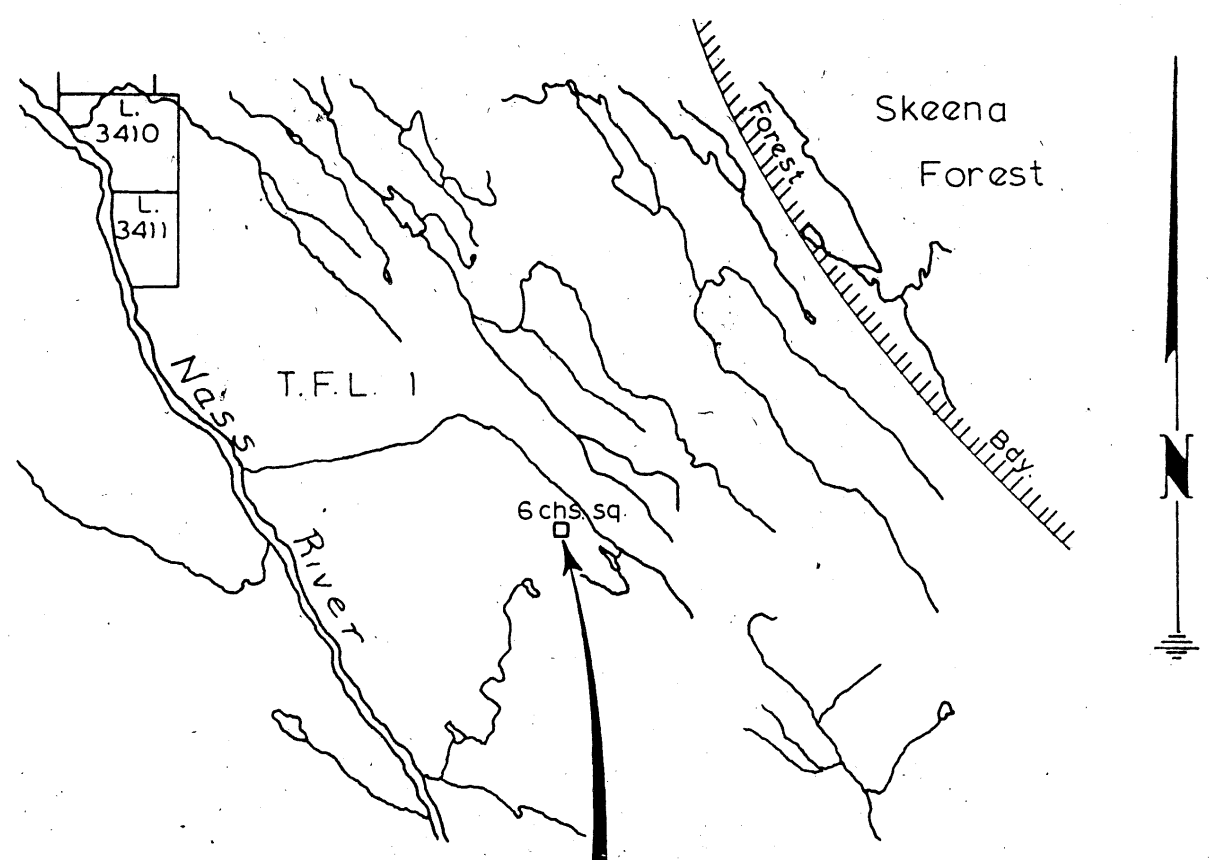
LAND DISTRICT Cassiar  
Region No. 75 Compt. No. 32  
Base 103 P 10W



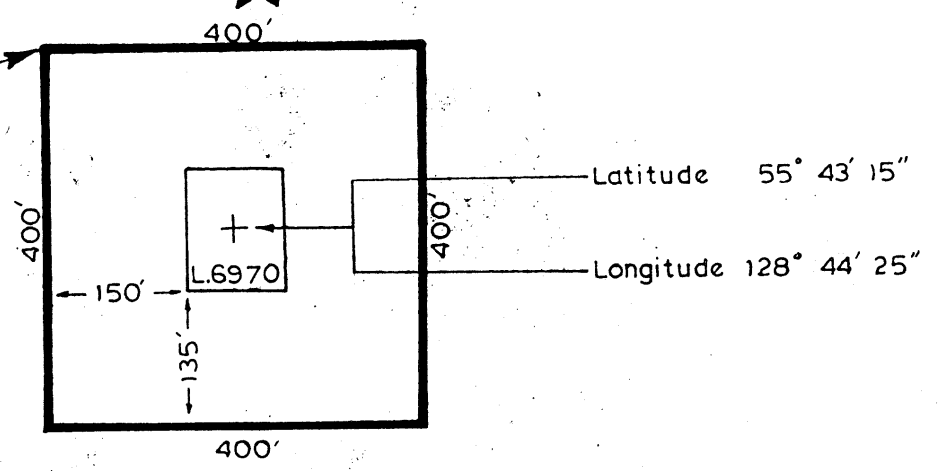
**EXHIBIT A**  
Date January 19, 1973  
Atlas Ref. 103 P/NE (c-2)

# AMENDMENT N° 62 to T.F.L. 1

Shown  Acres ± 3.9 R.D. 17 Scale 2 miles = 1 inch



P. of C.  
157 chs. E. 100 chs. S.  
of SE cor. L. 3411



Scale: 200 ft. = 1 inch

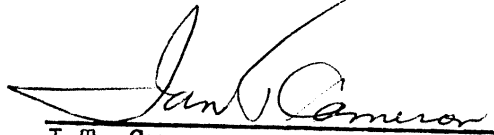
MEMO

TO THE HONORABLE THE MINISTER

Your signature is recommended on the attached Amendment Number 62 to Tree Farm Licence Number 1.

This amendment provides for an area to be removed from Schedule "B" lands for a radio installation, approved by Order in Council #4463 dated Dec. 21/72 in favour of B.C. Telephone Company.

*on a year  
to year  
basis  
only  
the lease*



I.T. Cameron,  
Chief Forester.