



REVENUE BRANCH

CGNF Standards and Procedures for the Coast Forest Region

Effective November 1, 2006 (optional)
or January 1, 2007 (mandatory)



BRITISH
COLUMBIA

This manual is intended for the use of individuals or companies when conducting business with the British Columbia Government. Permission is granted to reproduce it for such purposes. This manual and related documentation and publications, are protected under the *Federal Copyright Act*. They may not be reproduced for sale or for other purposes without the express written permission of the Province of British Columbia.

Table of Contents

1 Introduction and Overview of Call Grading/Net Factoring

1.1 Call Grading and Net Factoring.....	1-3
1.1.1 Call Grading.....	1-3
1.1.2 Net Factoring	1-3
1.1.3 Tree Form.....	1-5
1.2 Objectives	1-7
1.3 Conventions/Procedures	1-8

2 Net Factoring

2.1 Net Factoring Process	2-2
2.2 Net Factoring Deductions	2-3
2.2.1.2 Applying Deduction Rules.....	2-4
2.3 Deduction Procedures for Loss Indicators.....	2-6
2.3.1 Heart Rot Conk	2-6
2.3.2 Root Rot.....	2-7
2.3.3 Blind Conk	2-8
2.3.4 Frost Crack.....	2-9
2.3.5 Scar	2-11
2.3.6 Butt Rot/Cat Face.....	2-13
2.3.8 Fork.....	2-19
2.3.9 Crook.....	2-19
2.3.10 Rotten Branch	2-20
2.3.11 Dead Tops.....	2-21
2.3.12 Broken (Missing) Tops	2-22
2.3.13 Fallen Trees.....	2-23
2.3.14 Multiple Defects.....	2-23
2.3.15 Dead Standing and Dead Fallen Trees.....	2-25

3 Call Grading

3.1 Introduction.....	3-2
3.2 Definitions.....	3-3
3.2.1 Procedures.....	3-3
3.2.2 Grading Conventions and Guidelines	3-5
3.2.3 Guidelines	3-7
3.2.3.1 Heart Rot:.....	3-7
3.2.3.2 Butt Rot.....	3-7
3.2.3.3 Frost Cracks	3-8

3.2.3.4 Occasional Larger Knots.....	3-8
3.2.3.5 Weather Checks and/or Insect Damage	3-8
3.2.3.6 Twist	3-10
3.2.3.7 Cedar Shingle Criteria.....	3-11
3.2.3.8 Lumber Grades.....	3-12
3.2.3.9 Tree Form.....	3-12
3.2.3.10 Last Log	3-12
3.2.3.11 Dead/Dry Tops.....	3-13
3.2.3.12 Ring Shake	3-13
3.2.3.13 Missing Wood and Separated Pieces	3-13
3.3 Revenue Call Grading Criteria.....	3-14

4 Quality Assurance

4.1 Primary Standards.....	4-2
4.2 Appraisal Standards	4-3
4.3 Plot Selection	4-4
4.4 Preparing the Quality Assurance Summary	4-5
4.5 Acknowledgements.....	4-7

Appendix

Appendix I Damage Codes	A-2
Appendix II Coast Tally Card Details	A-3
Appendix III Transition from Loss Factor to CGNF Cruising	A-7

Tables

Table 1: Summary of Sorts, Grades, Standard Log Lengths and Application Notes	1-5
Table 2: Formula for Calculating Volume.....	2-3
Table 3: Summary of Procedures for Determining Net Factor for Loss Indicators..	2-4
Table 4: Deduction Procedure for Heart Rot Conk	2-6
Table 5: Deduction Procedure for Root Rot	2-7
Table 6: Deduction Procedure for Blind Conk	2-8
Table 7: Deduction Procedure for Frost Crack	2-9
Table 8: Deduction Procedure for Scar.....	2-11
Table 9: Deduction Procedure for Butt Rots.....	2-13
Table 10: Butt Rot Guide for Length Deductions.....	2-17
Table 11: Deduction Procedure for Fork with Visible Decay	2-19
Table 12: Deduction Procedure for Crook with Visible Decay	2-20
Table 13: Deduction Procedure for Rotten Branch with Visible Decay.....	2-20
Table 14: Deduction Procedure for Measurable Sap Rot	2-21
Table 15: Deduction Procedure for Broken Tops	2-22
Table 16: Deduction Procedure for Rot Associated with Log Below Broken Top	2-22
Table 18: Butt Rot Guide for Length Deductions.....	3-8
Table 19: Maximum Twist Displacement by Grade.....	3-11
Table 20: Weighted Coast Selling Prices - Mature Grades	4-6
Table 21: Weighted Coast Selling Prices – 2 nd Growth.....	4-6

List of Figures

Figure 1.1 Irregular Tree form.....	1-6
Figure 2.1 Example of Net Factor Calculation for Root Rot on the Ground	2-7
Figure 2.2 Example of Net Factor Calculation for Root Rot on the Tree	2-8
Figure 2.3 Example of Net Factor Calculation for Frost Cracks.....	2-10
Figure 2.4 Examples of a Net Factor Calculation for Scars with Known Depth....	2-13
Figure 2.5 Example of Net Factor Calculation for Cylindrical Defect.....	2-14
Figure 2.6 Example of Net Factor Calculation (conical).....	2-15
Figure 2.7 Example of Net Factor Calculation (cylindrical & conical) for Cedar Shingle	2-16
Figure 2.8 Example of Net Factor Calculation (using butt rot table).	2-18
Figure 2.9 Example of Sounding Deduction	2-18
Figure 2.10 Example of Net Factor Calculation for Measurable Sap Rot.....	2-21
Figure 2.11 Example of Net Factor Calculation for Broken Tops with Decay.	2-23
Figure 2.12 Example of Isolated Sections between Defects.....	2-24
Figure 3.1 Example of Grade Calculation for Weather Checked Logs.	3-9
Figure 3.2 Examples of Grade Calculation for Twist.....	3-11
Figure A.1 FS 205 – Cruise Tally Sheet.....	A-3

Table 1: Summary of Sorts, Grades, Standard Log Lengths and Application Notes

The following end use sorts, grades and standard lengths will be used:

SORT TYPE	GRADE	STANDARD LENGTHS (m)	NOTES
Lumber	D,F,B,G	13,11,8	Min length 5 m
Peeler	C	13,11,8	Min length 5 m
Sawlog	H,I	13,11,8	Min length 5 m
Gang	J	13,11,8	Min length 5 m
Shingle	K,L,M	13,11,8	Min length 4 m, 1 m multiple up to 13 m / attempt to use standard lengths.
Utility	U,X	13,11,8	Min length 5 m
Pulp	Y	13,11,8	Min length 3 m, 1 m multiples up to 13 m / attempt to use standard lengths.

Log lengths of 4 and 6 m are allowed for all sorts for helicopter logging only.

NON SORT	GRADE	STANDARD LENGTHS (m)	NOTES
Breakage	Z Shatter and non-recoverable	1 m multiples	Z grade is not intended to meet the statutory definition of firmwood reject.
Missing Wood	N	1 m multiples	Net Factor = "00"

1.1.3 Tree Form

Irregular tree forms such as forks/crooks/pistol butts may necessitate the use of non-standard log lengths. Pencil bucking Y or Z-grade segments is acceptable if the tree form will affect the standard log length and/or sort. See Figure 1.1 where tree form affects the standard log lengths. **Sweep in deciduous trees may not change the sort or the standard length provided that the effect of the sweep can be dealt with by assessing the logs in 2.5 m increments.**

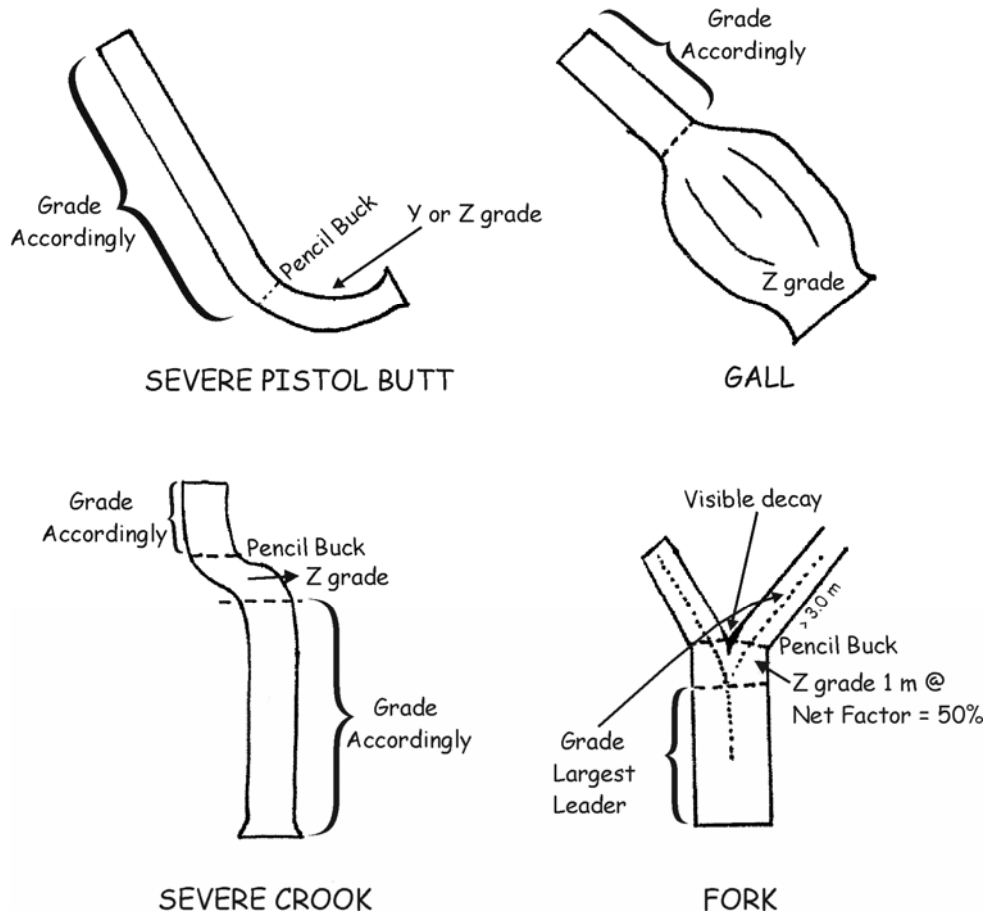


Figure 1.1 Irregular Tree Form.

Major defects may necessitate non-standard log lengths.

Shingle cedar can be 4 metres to 13 metres and 1 metre increments to accommodate excessive decay and bark seams.

Helicopter log lengths are per weight restrictions. The 4 and 6 metre lengths can only be used in pre-identified helicopter cutblocks.

The last log in a tree will almost always have a non-standard length and so it is always coded as a "99". The computer calculates the last log length based on the taper equation and merchantable top diameter.

Fallen trees with roots attached will have a 1 metre Z grade for the first log if they are < 100 cm at DBH and a 2 metre Z grade if they are > or = 100 cm.

- n. Pencil bucking is used to section the tree into **maximum** standard log lengths by sort. A grade is assigned and the log is net factored.
- o. Net factoring is only used for sound wood loss only caused by decay or missing wood.
- p. If it is necessary to calculate log volumes the convention will be to use DBH for the butt log diameter and the estimated mid-point diameter for logs above the butt log.
- q. Sounding will be used to assess the presence of hidden butt rot. If a hollow sound is detected then a 0.8 m length deduction is removed from the butt log. Sounding cannot be applied if there is any visible rot or net factor procedure that affects the tree below 2.4 m.

It is recommended that an "S" is painted on the tree where the sounding is heard. If there are safety concerns for cruisers or licensees, then do not sound the tree(s).

- r. The species codes are required for mountain hemlock (Hm) and western hemlock (Hw or H) because they have separate NVAFs. A tree recorded as H will always default to the western hemlock NVAF.

This page is intentionally left blank.

2.2 Net Factoring Deductions

Net factoring deductions for this manual will normally be expressed as length deductions. The net log length expressed as a percent of the gross log length represents the net factor in percent. For example, an 8.0 metre log may have a 0.8 m deduction due to rot. The net factor is 90% because 10% of the log length is missing $(7.2/8.0) \times 100 = 90\%$.

Some situations may require lookup tables or log volume calculations.

Logs are considered cylinders for log volume calculations and decayed portions may be rectangular (such as scars), cylindrical (such as conks) or conical (such as butt rot). The following conventions and formulas shown in Table 2 will be used in the calculations.

Diameter: length of a straight line passing through the centre of a circle.

Radius: line extending from the centre of a circle to the circumference ($\frac{1}{2}$ diameter).

L = length; W = width; D = depth; R = radius.

Table 2 Formula for Calculating Volume

Shape	Formula
Cylinder	Volume = $\pi R^2 * L$
Cone	Volume = $(1/3) \pi R^2 * L$
Rectangular solid	Volume = $L * W * D$
Units must be consistent (all cm or all m).	

2.2.1.2 Applying Deduction Rules

Table 3 Summary of Procedures for Determining Net Factor for Loss Indicators

Defect	Form	Method	Deduction Area	% Sound or Length Deduction Area	Grade
Heart Rot Conk	Cylindrical	Procedure	2 m above conk 4 m below conk	50%	Y
Blind Conk	Cylindrical	Procedure	4 m above conk 6 m below conk	50%	Y
Rotten branch	Cylindrical	Procedure	1 m above 1 m below	1.0 metre	Z
Butt rot/Cat face	Conical	Calculate	extent of scar	calculated	assigned*
Root rot (fruiting body on ground)	Conical	Procedure	3 m	0.6 metres	assigned*
Sounding	Conical	Procedure	0.8 m length deduction	calculated	assigned*
Scar	Rectangular	Calculate	extent of scar	calculated	assigned*
Frost crack	Other	Procedure	extent of frost crack	0.1 m per lineal metre of frost crack	assigned*
Fork	Other	Procedure	if decay present: 1 m below	0.5 metre	Z
Crook	Other	Procedure	if decay present: 1 m below	0.5 metre	Z
Dead top	Other	Calculate	live crown to top of tree	Net Factor = 85% if can't be measured	assigned*
Broken top	Other	Procedure	broken off portion if decay present 1.0 m below break	00 1.0 metre	N assigned*
Direct Observation	Other	Procedure	various	calculated	assigned*
* Assigned by cruiser in the field					
** d = diameter of sound wood/D = outside diameter log					

Table 3 Notes

Calculated = net factor calculated based on formulae in this manual.

Assigned = Grade assigned from grade consideration based on surface characteristics and decay percentage.

Table = Reference tables in this manual.

Z-Grade = non-recoverable fibre.

2.3 Deduction Procedures for Loss Indicators

2.3.1 Heart Rot Conk

The standard is that conk rot extends 2 m above the conk and 4 m below it. This creates a 6 m pulp log (Y grade) with a net factor of 3 metres or 50%.

For example, a tree with 22 m of sawlog quality and a conk at 12 m could be pencil bucked as a sawlog for 8 m, pulp (Y grade) for 6 m (net factor 50%), then sawlog for 8 m.

Table 4 Deduction Procedure for Heart Rot Conk

Form	Cylindrical
Method	Procedure
Deduction area	2 m above conk; 4 m below
% Sound of deduction area (net factor)	50% or 3 metre length deduction
Grade	Y

Formula

$$\text{Net Factor} = (\text{Net Log Length} / \text{Log Length}) \times 100\%$$

$$\text{For example } (6.0 - 3.0) / 6.0 \times 100 = 50\%$$

For multiple conks, decay is assumed to extend 2 m above the top conk and 4 m below the lowest conk. The connected length is given a net factor of 50% and a grade of Y.

Do not overlap conk and blind conk deductions as they are not cumulative. The net factor can be less than 50% if there are other indicators associated with a conk or blind conk segment.

Fomitopsis pinicola is considered a heart rot for this procedure when it is on live cambium. (e.g., not on a dead tree or a dead portion of the tree). See the *Cruising Manual Appendices* for descriptions of the heart rot conks.

2.3.2 Root Rot

All root rots are assumed to be conical in nature. Unless otherwise observed, the standard procedure is that the cone of rot extends 3 m from the ground and that the ratio of the diameter of the rot to the diameter of the butt is 75% ($\frac{3}{4}$).

The length deduction for the 3 metre section is 0.6 metre. If the fruiting body is located on the stem, then the butt rot length will be based on a cone that extends 3 metres above the highest fruiting body and the base of the cone will be a $\frac{3}{4}$ ratio.

Table 5 Deduction Procedure for Root Rot

Form	Conical
Method	Standard
Deduction area	0 - 3 m
Length deduction	0.6 m (if fruiting body is on the ground)
Grade	Assigned

Formula

$$\text{Net Factor} = (\text{Net Log Length}) / \text{Log Length} * 100\%$$

EXAMPLE	
Log length: 8 m; Rot extends: 3 m	
Net Factor	= (8 - 0.6) / 8 x 100
	= 7.4 / 8 x 100
	= 93 %

Figure 2.1 Example of Net Factor Calculation for Root Rot *on the Ground*.

If Schweintizii butt rot is encountered the net factoring process will apply the loss as a root rot [0.6 metre length deduction].

EXAMPLE

Fruiting body 3 m up the stem, therefore cone of rot extends 6 m up the stem.

Log length = 8 m, $\frac{3}{4}$ ratio conical rot extends 6 m, DBH: 100 cm

$$\begin{aligned} \text{Deduction} &= \left(\frac{3}{4}\right)^2 \times 6\text{m}/3 \\ &= 1.1 \text{ m} \end{aligned}$$

$$\begin{aligned} \text{Net Factor} &= (8\text{m} - 1.1\text{m})/8\text{m} \times 100 \% \\ &= \mathbf{86 \%} \end{aligned}$$

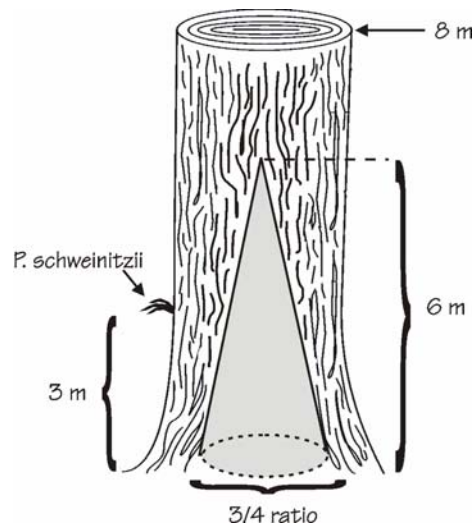


Figure 2.2 Example of Net Factor Calculation for Root Rot on the Tree.

2.3.3 Blind Conk

Coastal zone: typically the cambium is collapsed.

Table 6 Deduction Procedure for Blind Conk

Form	Cylindrical
Method	Procedure
Deduction area	4 m above conk; 6 m below
% Sound of deduction area (net factor)	50% or a 5 metre length deduction.
Grade	Y

Formula

$$\text{Net Factor} = (\text{Net Log Length}/\text{Log Length}) \times 100$$

For the example below: $(11 - 5)/11 \times 100\% = 54\%$

EXAMPLE

Log length = 11 m, blind conk at 7 m

Net factor = $(11 \text{ m} - 5 \text{ m})/11 \text{ m} \times 100\% = 54 \%$

2.3.4 Frost Crack

Table 7 Deduction Procedure for Frost Crack

Form	Other.
Method	Procedure.
Deduction area	Log.
% Sound of deduction area (net factor)	0.1 metre deduction for each 1 m of frost crack in log.
Grade	Assigned.

Frost crack(s) that run across the grain of the log may result in a loss of merchantable volume and lower sort and/or grade.

Formula

$$\text{Net Factor} = (\text{Net Log Length}/\text{Log Length}) \times 100\%$$

For the example below: $(11.0 - 1.4)/11.0 \times 100\% = 87\%$

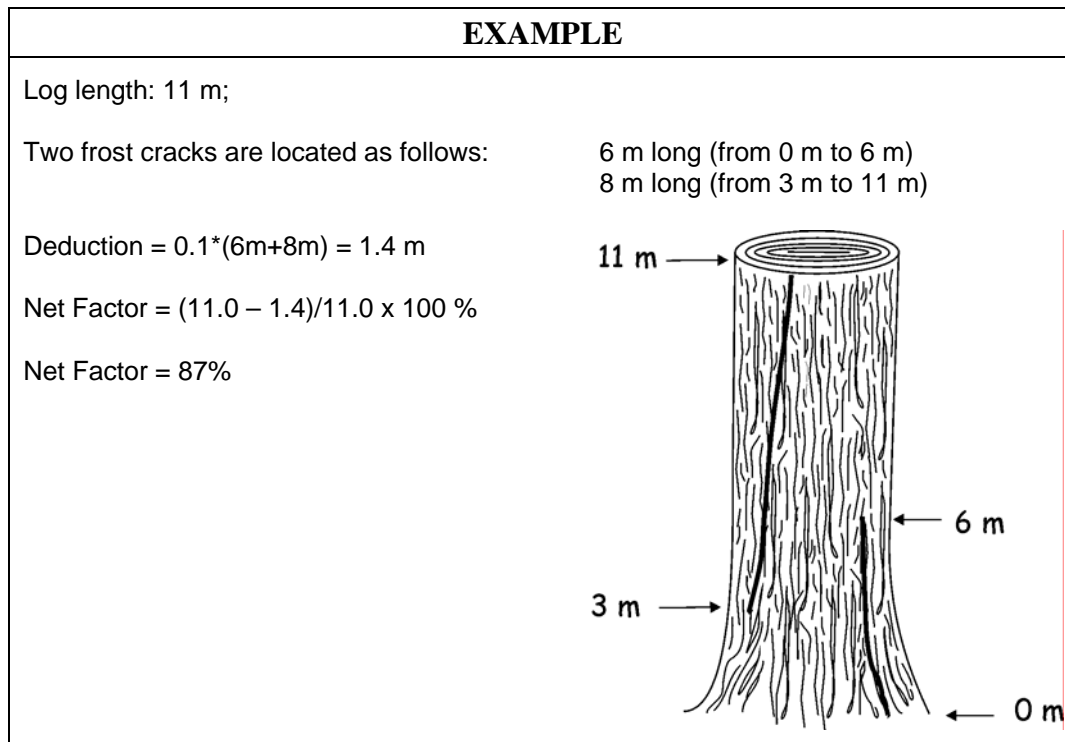


Figure 2.3 Example of Net Factor Calculation for Frost Cracks.

2.3.5 Scar

Table 8 Deduction Procedure for Scar

Form	Rectangular
Method	Calculate
Deduction area	Extent of scar
% Sound of deduction area (net factor)	Calculated
Grade	Assigned

Procedure #1 - When depth of rot can be measured and expressed as a rectangle.

For example, butt scars. Note that this is one procedure that uses volume as a deduction rather than length.

Formula

$$\text{Net Factor} = (\text{Net volume of Log}) / (\text{Gross Volume of Log}) * 100\%$$

$$\text{For the example below: } (8.42/8.64) \times 100\% = 97\%$$

Assume the scar is rectangular:

$$\text{Decay volume} = \text{length} * \text{width} * \text{depth}$$

Assume the log is cylindrical (diameter at DBH for butt logs, midpoint diameter for other logs):

$$\text{Log volume} = \pi * \text{radius}^2 * \text{length}$$

A net factor less than 95% is rare for a scar.

EXAMPLE

Log length: 11 m; diameter: 100 cm
 scar: length 11 m, width 20 cm, depth 10 cm

$$\begin{aligned} 1. \text{ Volume of Decay} &= L * W * D \text{ (volume of rectangle)} \\ &= 11 \text{ m} * 0.2 \text{ m} * 0.1 \text{ m} \\ &= 0.22 \text{ m}^3 \end{aligned}$$

$$\begin{aligned} 2. \text{ Volume of Log} &= \pi R^2 L \text{ (volume of cylinder)} \\ &= \pi * (0.5 \text{ m})^2 * 11 \text{ m} \\ &= 3.14 * 0.25 \text{ m}^2 * 11 \text{ m} \\ &= 8.64 \text{ m}^3 \end{aligned}$$

$$\begin{aligned} 3. \text{ Net Factor} &= (8.64 - 0.22) / 8.64 * 100\% \\ &= 8.42 / 8.64 * 100\% \\ &= 97.454 - \text{closer to } 97\% \end{aligned}$$

Procedure #2 - Rot is visible but cannot be easily converted to a rectangular form or cannot easily be measured. This is a length deduction rather than the previous volume deduction.

Formula

$$\text{Net Factor} = (\text{Net Log Length} / \text{Log Length}) \times 100\%$$

$$\text{For the example below: } (12.7 / 13.0) \times 100\% = 98\%$$

1. Estimate width and measured length of scar on log.
2. Calculate circumference of log at the scar ($\pi \times D$).
3. Calculate "length" deduction = $1/2$ (width of scar/circumference of log) x scar length.
4. Net Factor = (net log length/original log length) x 100.

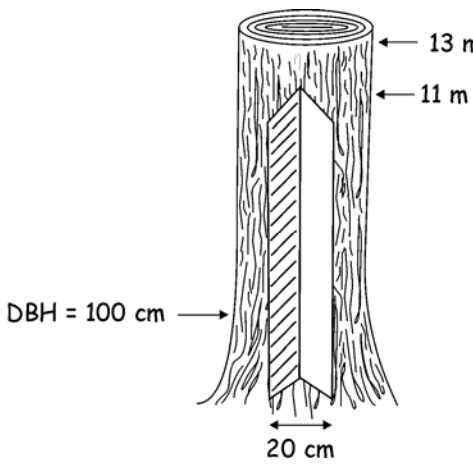
EXAMPLE	
<p>Log length: 13 m; diameter: 100 cm scar: length 11 m, width 20 cm, depth pie shape to pith</p> <p>1. Circumference = $\pi \times D = 314$ cm</p> <p>2. Width of scar = 20 cm</p> <p>3. Length deduction = $\frac{1}{2} (20/314) = .03$</p> <p style="padding-left: 20px;">Length of scar = 11 m, $.03 \times 11 = .3$ m</p> <p>4. Net Factor = $(12.7/13) \times 100 = 98\%$</p>	

Figure 2.4 Examples of a Net Factor Calculation for Scars with Known Depth.

1. Estimate width and measure length of scar on log.
2. Calculate circumference of log at the scar ($\pi * D$).
3. Calculate “Length” deduction = $\frac{1}{2}$ (width of scar/circumference of log) *scar length.
4. Net Factor = (volume of log-decay volume)/volume of log * 100%.

2.3.6 Butt Rot/Cat Face

Cat face is normally a "dry side" without rot. It is usually net factored the same as a scar. If the cat face is rotten then it is treated as butt rot.

Table 9 – Deduction Procedure for Butt Rots

Form	Cylindrical/Conical
Method	Calculate
Deduction area	Extent of Scar
% Sound of deduction area (net factor)	Calculated
Grade	Assigned

There are three methods of dealing with this form of internal decay:

Procedure #1 - Cylindrical Defect of Known Length

Formula

$$\text{Net Factor} = (\text{Net Log Length} / \text{Log Length}) \times 100\%$$

$$\text{For the example below: } (7.3/13) \times 100\% = 56\%$$

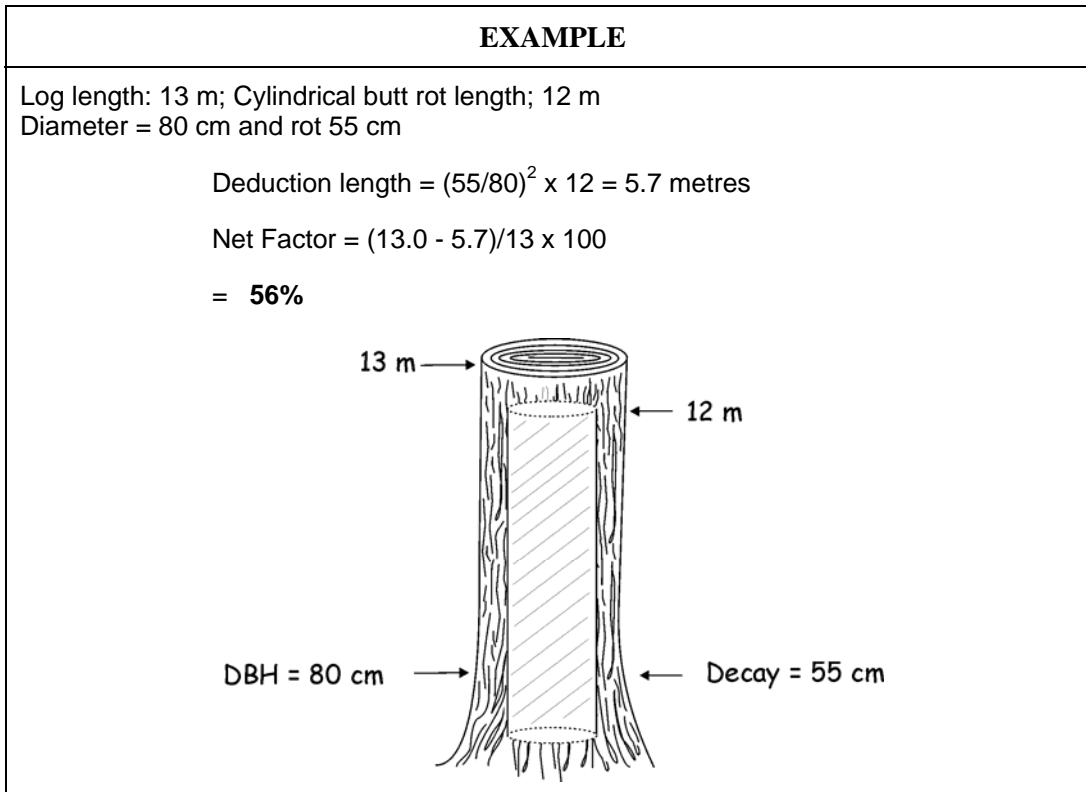


Figure 2.5 Example of Net Factor Calculation for Cylindrical Defect.

Procedure #2 - Conical Defect of Known Length

Formula

$$\text{Net Factor} = (\text{Net Log Length}/\text{Log Length}) \times 100\%$$

$$\text{For the example below: } (11.1/13) \times 100\% = 85\%$$

Note that a cone is 1/3 of the volume of a cylinder.

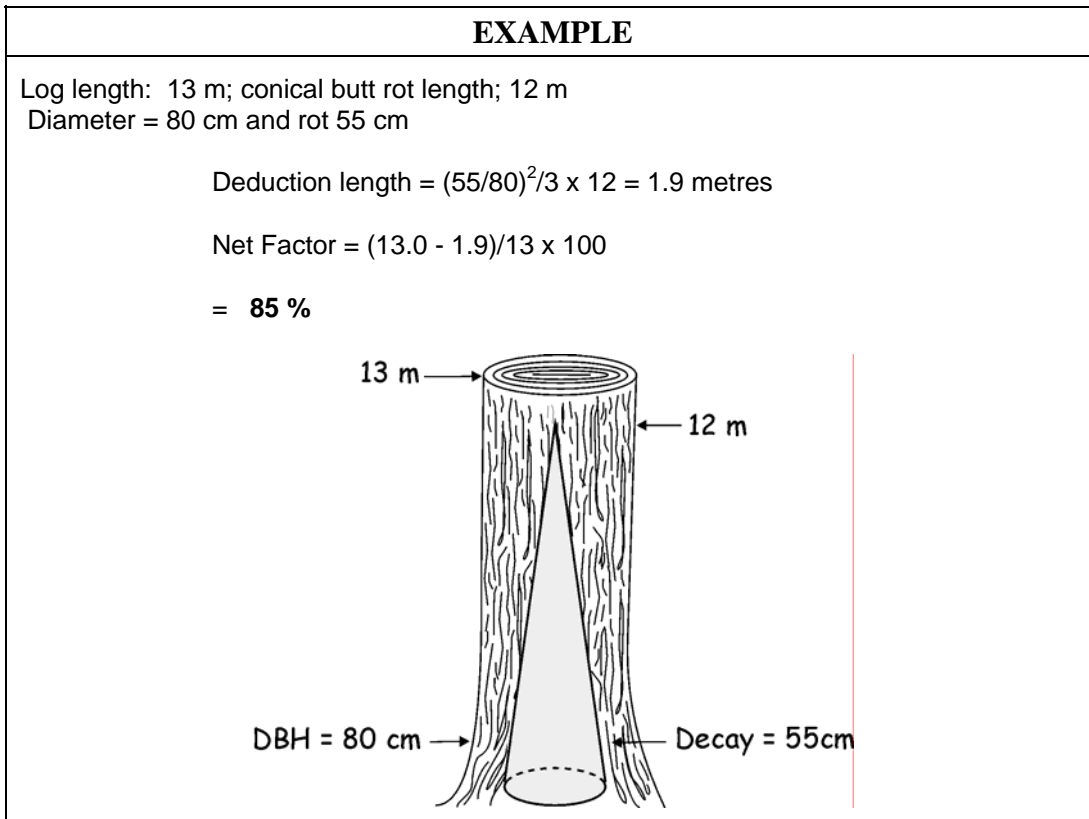


Figure 2.6 Example of Net Factor Calculation (conical).

**Procedure #3 – Conical Defect of Unknown Length for Cedar Shingle Butt Logs
Less Than 8m Long**

EXAMPLE

Log #1 length: 4 m; cylindrical butt rot length unknown
Diameter = 80 cm and rot 55 cm

Log #2 length: 13m, use $\frac{3}{4}$ ratio on this log $(55/80) = 1.2$ m length deduct from Table 10

Log #1 Deduction = $(55/80)^2 \times 4$ m = 1.9 m
Net Factor = $(4.0$ m – 1.9 m)/4.0 m x 100% = **53%**

Log #2 Net Factor = $(13.0 - 1.2)/13$ x 100 % = **91 %**

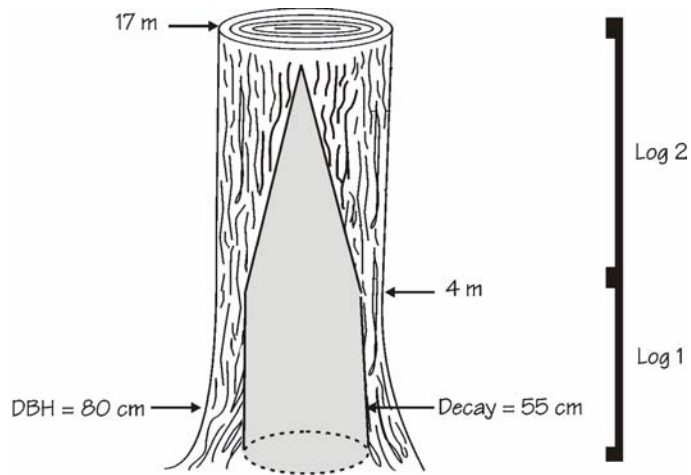


Figure 2.7 Example of Net Factor Calculation (cylindrical & conical) for Cedar Shingle.

Procedure #4 - Conical Defect of Unknown Length (See Table 10)

Formula

$$\text{Net Factor} = (\text{Net Log Length}/\text{Log Length}) \times 100\%$$

If the extent or length of rot is unknown then the deduction is based on the ratio of the diameter of rot at stump height to the DBH. Figure 2.5 – 55/80 = approx. $\frac{3}{4}$.

From the table (length deduction for $\frac{3}{4}$ 1.2 metres)

$$\text{Net factor} = (13.0 - 1.2)/13 \times 100 = 91 \%$$

1. Find the ratio (diameter of decay/DBH)
2. Use Butt Rot table for ratio of butt rot.
3. Determine the nearest ratio and apply the length deduction.
4. Net down the log length and express the net factor as a percent of the original length.

Butt rot is generally included with the log for its maximum sort length.

The Butt Rot Guide (Table 10) gives the conical butt rot ratios by log length. Note that the grade consideration in Table 10 and surface characteristics of the log will determine the sort. Deductions and grade considerations are based on diameter of rot at stump height/DBH ratio. Calculate the ratio to the nearest $\frac{1}{4}$ diameter, determine the length deduction from the table below, and calculate the net factor. The rot diameter is measured at the stump height.

Table 10 Butt Rot Guide for Length Deductions

Ratio	Length Deduction (volume loss)	Grade Consideration* (length not available for manufacture)
$\frac{1}{4}$ diameter	0.2 m	0.6 m
$\frac{1}{2}$ diameter	0.4 m	1.8 m
$\frac{3}{4}$ diameter	1.2 m	3.6 m
$\frac{4}{4}$ diameter	2.4 m	4.2 m
Sounding	0.8 m	2.4 m
P. schweinitzii	0.6 m	2.0 m
*Grade consideration denotes the loss of lumber in the log and describes the portion not available to produce 2 by 4's at least 8 feet long.		

EXAMPLE	
The butt rot length is not visible, therefore we need a process to determine deduction length.	
Rot diameter = 55 cm; DBH = 100 cm; log length = 11 m	
Ratio = rot diameter/log diameter = 55/100=1/2	
The deduction is 0.4 m length.	
Net Factor	= (11-0.4)/11
	= 96%

Figure 2.8 Example of Net Factor Calculation (using butt rot table).

Sounding

Sounding will be used to assess the presence of hidden butt rot. If a hollow sound is detected then a 0.8 m deduction is removed from the butt log. Sounding cannot be applied if there is any visible rot or net factor procedure that affects the tree below 2.4 m.

Formula

EXAMPLE	
Net Factor	= (Net Log Length/Log Length) x 100%
	= (13 – 0.8)/13 x 100
	= 94%

Figure 2.9 Example of Sounding Deduction.

2.3.8 Fork

In general, a fork only becomes a "pencil bucking" point if there is significant enough offset in the log that will reduce the % merch. If the crook is severe, like a school marm for example, then it may be bucked out in one-metre lengths as "Z" grade. If there is rot in the fork then it will be net factored.

Table 11 Deduction Procedure for Fork with Visible Decay

Form	Other
Method	Procedure
Deduction area	1 m below
% Sound of deduction area (net factor)	50%
Grade	Z

2.3.9 Crook

In general, a crook only becomes a "pencil bucking" point if there is a significant enough offset in the log that will reduce the % merch. If the crook is severe, like a severe pistol butt for example then it may be bucked out in one-metre lengths as "Z" grade. If there is rot in the crook then it will be net factored.

Table 12 Deduction Procedure for Crook with Visible Decay

Form	Other
Method	Procedure
Deduction area	1 m below
% Sound of deduction area (net factor)	50%
Grade	Z

2.3.10 Rotten Branch**Table 13 Deduction Procedure for Rotten Branch with Visible Decay**

Form	Cylindrical
Method	Procedure
Deduction area	1 m above the rotten branch; 1 m below
% Sound of deduction area (net factor)	50%
Grade	Z or assigned

For multiple, overlapping rotten branches/knots (less than 2 m apart), deduction extends 1 m above and below the series.

2.3.11 Dead Tops

(Broken tops are handled separately.)

Rot must be visible before a net factor can be applied. Rot is treated as sap rot. If the decay is not measurable (e.g., at the top of the tree) then apply a net factor of 85% to the rotten portion. If it can be measured then use the following procedures:

Formula

$$\text{Net Factor} = (\text{Net Log Length} / \text{Log Length}) \times 100\%$$

For the example below: $(6.9/8.0) \times 100\% = 86\%$

Table 14 Deduction Procedure for Measurable Sap Rot

Form	Other
Method	Calculate
Deduction area	From top of live crown to tree length
% Sound of deduction area (net factor)	Calculated
Grade	Assigned

Weather checked wood may affect the sort, but will not affect the sound wood content (net factor).

EXAMPLE

Midpoint diameter 20 cm, Length of rot 3 metres, Top log length 8 metres
 2 cm depth of sap rot (= 16 cm of sound wood)
 Sound wood length $(16/20)^2 \times 3 = 1.9$ metres

Length Deduction = $3 - 1.9 = 1.1$ metres

Net Factor = $(8.0 - 1.1)/8 \times 100 = 86\%$

Figure 2.10 Example of Net Factor Calculation for Measurable Sap Rot.

2.3.12 Broken (Missing) Tops

The tree is graded and net factored to the broken top (pencil buck at the break). The missing portion is graded as “N” with a net factor of “00” (no sound wood).

Table 15 Deduction Procedure for Broken Tops

Form	Other
Method	Procedure
Deduction area	from break to original top
% Sound of deduction area (net factor)	00 = no sound wood (length = 99)
Grade	N (nothing)

If a top can not be assigned to a tree then it is treated as a separate piece for "in/out" procedures and is graded uniquely.

If a top is found on the ground and can be assigned to a tree, then attach it to that tree as a log and assign a grade and net factor.

Table 16 Deduction Procedure for Rot Associated with Log Below Broken Top

Form	Other
Method	Procedure
Deduction area	1 m below the break
% Sound of deduction area (net factor)	Calculated
Grade	Assigned

Visible rot is assumed to run 1 m below the break.

Formula

$$\text{Net Factor} = (\text{Net Log Length} / \text{Log Length}) \times 100\%$$

EXAMPLE

Last log length is 10 m up to a broken top with visible decay.
 Net Factor = $((10\text{m}-1.0\text{m})/10\text{m}) * 100\% = 90\%$, followed by a "N9900".

Figure 2.11 Example of Net Factor Calculation for Broken Tops with Decay.

2.3.13 Fallen Trees

Fallen trees with their roots attached will have a 1 metre Z-grade for the first log if they are < 100.0 cm at DBH and a 2 metre Z-grade if they are > or = to 100.0 cm. This standard is applied to account for safety and/or machine practices.

The following procedure will be used to record whether the tree is standing or fallen:

- Standing - in the down tree column (63) code blank: trees that are self supporting (that is, the tree would remain standing if all supporting materials were removed).
- Fallen - in the down tree column (63) code E or G. Refer to section A.6.3 of the *Cruising Manual*.
- If the tree has been mechanically or hand felled then the 1 m or 2 m Z grade bucking allowance does not apply.

2.3.14 Multiple Defects

In general, the assignment of net factors to trees with multiple defects is left to the professional judgement of the cruiser.

Several concepts are noted below:

Net factors less than 50% will only occur with severe:

- cylindrical butt rot,
- sap rot,
- missing wood,
- conk or blind conk segments accompanied by other indicators. (do not double call over-lapping conk and blind conk segments.), or

Sound sections 5 m or longer between defects may be treated as separate logs. If sections that are 5 m or longer are a different sort then they must be treated as separate logs. Sound segments less than 5 m are included with the adjacent log segment(s). See Figure 2.9.

EXAMPLE

Conk at 12 m and 20 m. This creates a 2 m section between the defect areas, so we can combine all three sections into one log.

Deduction length = $2 \times (4 + 2) = 12 \text{ m}$

Log Length (from 8 m — 22 m) = 14 m

Conk Deduction 50% (of 12 m) = 6 m

Grade (all 3 sections) = Y

Net Factor = (length of log - length of ded.)/length of log * 100%

= (14 m-6 m)/14 * 100%

Net Factor = 57%

Note: The same procedure should be used whenever grade is assigned, particularly for butt rot and/or cat face.

14 m log @ 57% N.F.

8 m log @ 100% N.F.

22 m

20 m

16 m

14 m

12 m

8 m

2 m, therefore combine conk logs since < 5 m

Figure 2.12 Example of Isolated Sections between Defects.

If the upper conk were at 23 m, it would create a 5 m log between the two defects. This log would be treated as a separate sound log with its own grade. This would create three separate logs, each with its own grade and net factor.

2.3.15 Dead Standing and Dead Fallen Trees

- a. Dead Trees – dead trees do not have any live cambium at DBH.
- b. A dead tree is tallied if it contains a butt log 8 metres or more long and has a grade of U or better. If there is at least an 8 metre U grade log then record all of the logs in the tree.
- c. Dead fallen trees must have at least 8 metres of U- grade after the 1 m or 2 m Z-grade segment.
- d. Dead fallen and dead standing trees that **have a shattered (Z grade), broken or cut butt** will commence with the 8 metre assessment after the break, **shatter or cut end**.
- e. If down trees have been mechanically or hand felled then the 1 m or 2 m Z-grade bucking allowance does not apply.

This page is intentionally left blank.

3.2 Definitions

Call grading is the procedure used to assign one of the modified coastal log grades to standing and fallen timber based on the hierarchical log sorts. Grading is a hierarchical process based on the scaling conventions using top diameter inside bark, knot size (location and distribution) as well as the percentage of recoverable or sound wood available for cutting.

3.2.1 Procedures

- The cruiser will be able to grade the log into the appropriate log sort. The sorts are lumber, peeler, sawlog, gang, shingle, utility and pulp.
- Logs are assigned to sorts, the maximum standard log length is selected and then graded based on size, quality, sound wood recoverability and merchantability.
- Grades are assigned using the hierarchy of grades within a sort. Start with the longest standard log length for the highest grade in the sort. If the standard log length for any of the sort grades cannot be accommodated, then use the next lower sort.
- A log cannot be “one sort or another”. It is not a choice of market preference, current harvesting practices, accessibility, or other factors. A log is the highest grade it qualifies for within the hierarchy.
- ALL trees (live or dead, standing or fallen) will be call graded and net factored.
- All saw log grades must be at least 5 metres long and Y-grade must be at least 3 metres long.
- Record whether the tree is alive (L) or dead (D).
- Record whether the tree is mature (M) or second growth (S).
- Grade consideration is applied by the cruiser to determine the percentage of soundwood available for manufacturing. It includes deductions for rot, missing wood and surface characteristics as well as wood unavailable due to defect shape or characteristics. The grade consideration due to butt rot is shown in Table 18 below. For example, a sawlog (H-grade) fir log that is 8 m long and has a 45 cm top and severe butt rot (3/4 ratio):
 - i. Net factor = $(8.0 \text{ m} - 1.2\text{m})/8.0 \text{ m} = 85\%$
 - ii. Grade consideration = 3.6 m (Table 18) = $(8.0 \text{ m} - 3.6 \text{ m})/8.0 \text{ m} = 55\%$
 - iii. Therefore it is an I-grade since it does not meet the minimum lumber percentage criteria for an H-grade.

Measure all log lengths from the high-side ground level.

Determine the longest standard length and highest sort that the butt log can be based on the grading rules and standard log lengths.

If the length can be maintained for longer than 13 m, then try and assign standard log length combinations to optimize the sort.

Record the grades and the length.



The last grade on the tree will have a “99” recorded to the top regardless, of the utilization limits. Try not to create short logs at the top of the tree.

On short, small diameter logs record J 99 if an 8 m log with a 15 cm top can be achieved or if not then record U 99.

Cut Stems - If the tree has missing portions then the missing portion is graded as “N” and net factor “00”.

3.2.3 Guidelines

3.2.3.1 Heart Rot:

- Conk, blind conk, and rotten branches have specific lengths and grades applied.

Conk	Y	2 m above, 4 m below, 50% sound
Blind Conk	Y	4 m above, 6 m below, 50% sound
Rotten Branch	Z	1 m above, 1 m below, 50% sound

- Severe cylindrical cat face should be pencil bucked at the top of the cat face, with that length and net factor used to determine the grade.

3.2.3.2 Butt Rot

- Butt rot is generally included with the log for its standard length with the exception of the cedar shingle sort.
- Refer to the Butt Rot Guide for the Length Deduction table. Note that the net factor may determine the grade, based on the % lumber recovery or other grade requirements. The table also provides a guide for “grade considerations”.
- Butt rots are considered to be conical unless there is visible evidence that it is cylindrical.
- Schweinitzii - The section affected by schweinitzii and other butt rots can not be a peeler sort.

Table 18 Butt Rot Guide for Length Deductions

Ratio	Length Deduction	Grade Consideration*
¼ diameter	0.2 m	0.6 m
½ diameter	0.4 m	1.8 m
¾ diameter	1.2 m	3.6 m
⁴ / ₄ diameter	2.4 m	4.2 m
Sounding	0.8 m	2.4 m
P. schweinitzii	0.6 m	2.0 m
*Grade consideration describes how much of a log will not produce 2 by 4's at least 8 feet long.		

3.2.3.3 Frost Cracks

- Multiple frost cracks and their position around the tree may affect lumber recovery and must be considered in the determination of the sort and grade.
- Peeler sorts will not permit frost cracks.

The angle, position, or net factor will determine the appropriate grade based on % lumber recovery and/or % merchantable.

3.2.3.4 Occasional Larger Knots

All sawlog grades (H, I, J, U and X grades) can have occasional larger knots (OLK's) to the extent of one per 3 meters of log length [two per 3 meters for X grade logs over 50 centimetres top diameter]. The oversize knots must be confined to the portion of the log where the allowable knots are permitted.

3.2.3.5 Weather Checks and/or Insect Damage

- A check is a separation of the wood, at right angles to the annual rings. There is no sound wood deduction for weather checks or insect damage unless there is rot associated with them.
- Logs with <10 cm sound core are Y-grade
- Logs with <10 cm sound collar are Y-grade.

Formula for Grade Consideration Calculation of Sound % Lumber

where r = radius of the portion that can be sawn into lumber, and
 R = radius of tree

EXAMPLE

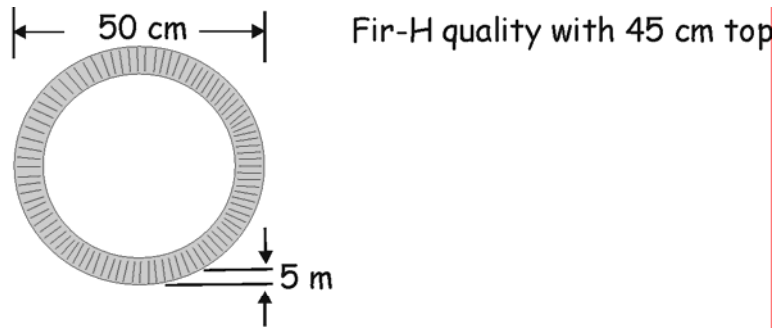
DBH = 50 cm; Radius of tree (R) = 25 cm; Sun check = 5 cm

Radius of sawable lumber portion (r) = 20 cm

Whole tree is weather checked

$$\begin{aligned} \% \text{ Recovered} &= \frac{\pi r^2}{\pi R^2} \times 100\% \\ &= \left(\frac{20}{25}\right)^2 \times 100\% \text{ or } \left(\frac{40}{50}\right)^2 \times 100\% \\ &\text{(These give the same mathematical result.)} \\ &= 64\% \text{ lumber recovery} \end{aligned}$$

Note – If the weather check was sap rot, the net factor would be 64%.



$$\begin{aligned} \% \text{ Recovery} &= \frac{r^2}{R^2} \times 100\% \\ &= \left(\frac{40}{50}\right)^2 \times 100\% \\ &= 64\% \end{aligned}$$

Figure 3.1 Example of Grade Calculation for Weather Checked Logs.

3.2.3.6 Twist

- There is no sound wood deduction for twist.
- Grade considerations are applied.
- The amount of twist is estimated for 30 cm at the displacement point of the log. The percentage of twist is calculated by dividing by the estimated top diameter of the log. Twist must be less than both of these restriction as per the table below. For example, a D grade must deviate by no more than 6 cm over the 30 cm distance, and the displacement divided by the top diameter in cm must not exceed 4%.
- Twist comprises two factors: percentage of top diameter; and maximum displacement over 30 cm at the mid-point of the log. Table 19 shows the maximum values for specific grades. If the parameters are not met, the next lower grade applies.

Do not use the procedure for measuring twist that is used in *Chapter 6 of the Cruising Manual*.

3.2.3.11 Dead/Dry Tops

Dead and dry tree tops are often severely weather checked. If there is evidence of sap rot and the depth will reduce the core diameter to less than 10 cm, then record the log as Y-grade (pulp).

3.2.3.12 Ring Shake

Ring shake or water shake is the separation of the annual rings. If any of the following conditions are met (except cedar and cypress), then the butt log grade will not be considered suitable for the lumber or peeler sorts and a standard log length of 8 metres will be assigned:

- Large trees that have been sheltered throughout most of their growth but have a major broken top (40 cm) as a result of wind damage, or
- Large trees without broken tops which have clearly been exposed to wind over an extended period of time (i.e., vets in an immature stand).

3.2.3.13 Missing Wood and Separated Pieces

- a. For all chunks and tree pieces > 8 metres length the DBH is measured 1.3 m up from the big end.
- b. If it is obvious that the tree piece originated from a nearby stump, then CGNF all of the portions as one tree.
- c. Project the total height of trees with broken tops and record the projected height in the tree height column of the cruise tally card. Record the grade and net factor of the missing portion as “N 99 00”.

3.3 Revenue Call Grading Criteria



CGNF CRUISING

FIR & PINE (No Pine Peelers)

DIMENSIONS	CUT (min)	KNOTS (max diameter)
D LBR ▶5.0m ▶76cm	75 %	90% surface clear
F LBR ▶5.0m ▶60cm	75 %	60-75cm, 75% surface clear ▶76cm, knots allowed 75% 1 side or 50% 2 sides
B PLR ▶5.0m ▶60cm	80 % Veneer	60-75cm, 1 clear butt block ▶76cm, knot ind butt block
C PLR ▶5.0m ▶38cm	80 % Veneer	4cm max
H S/L ▶5.0m ▶38cm or ▶50cm	75 % 50 %	▶38cm to 4cm reas well spaced, or 5cm on top 1/2 * , ▶50cm, 5cm on top 2/3 * , or 8cm on top 1/2 * * 2cm on bottom portions
I S/L ▶5.0m ▶38cm or ▶50cm O/W H Quality	75 % 50 % 50 %	▶38cm, to 8cm ▶50cm, to 9cm ▶76cm, to 10cm
J S/L ▶5.0m 15 - 36cm	75 %	15-28cm, to 4cm 28-36cm, to 6cm
U UTL ▶5.0m 10-14cm or ▶5.0m 15-36cm or ▶5.0m ▶38cm	75 % 66.7 % 50 %	10-14cm to 4cm; 15-26cm to 6cm 27-36cm to 8cm; 38-48cm to 10cm 50-74cm to 12cm; ▶76cm to 14cm
X UTL ▶5.0m ▶10cm	33.3 %	same as U, except ▶50cm allow 2 OLK / 3m
Y CHPR ▶3.0m, poorer than X UTL, better than Z. NON RECOVERABLE		
Z for appraisal - Z is NON RECOVERABLE (NRec)		

HEMLOCK & BALSAM

D LBR ▶5.0m ▶66cm	75 %	66-74cm 90% surface clear ▶76cm 80% surface clear
F LBR ▶5.0m ▶50cm	75 %	50-64cm 75% surface clear ▶66cm knots allowed 75% 1 side or 50% 2 sides
H S/L ▶5.0m ▶38cm O/W D or F Quality	75 % 50 %	see Fir H knot specs
I S/L ▶5.0m ▶38cm O/W H Quality	75 % 50 %	see Fir I knot specs
J S/L, U UTL, X UTL, Y CHPR, Z NRec see Fir specs		

CYPRESS

D LBR ▶5.0m ▶60cm	75 %	66-74cm 75% surface clear ▶76cm 67% surface clear
F LBR ▶5.0m ▶50cm O/W D Quality	75 %	50-58cm 75% surface clear ▶60cm - knots allowed 75% on 1 side or 50% 2 sides
H S/L ▶5.0m ▶38cm	50 %	see Fir H knot specs
I S/L ▶5.0m ▶38cm	50 %	see Fir I knot specs
J S/L ▶5.0m 15-36cm	75 %	see Fir J knot specs
U UTL, X UTL, Y CHPR, Z NRec see Fir specs		

SPRUCE

F LBR ▶5.0m ▶76cm	75 %	90% surface clear
G LBR ▶5.0m ▶60cm	75 %	60-74cm, 75% surface clear ▶76cm, knots allowed 75% 1 side or 50% 2 sides or 75% shopgrade ▶100cm, 50% shopgrade
H S/L ▶5.0m ▶38cm	75 %	see Fir H knot specs
I S/L ▶5.0m ▶38cm or ▶50cm	75 % 50 %	see Fir I knot specs ▶100cm to 13cm max
J S/L ▶5.0m 16-36cm	75 %	see Fir J knot specs
U & X UTL, same as Fir except logs ▶100cm allow knots to 16cm		
Y CHPR, Z NRec see Fir specs		

SPIRAL GRAIN - % of top diameter				OCC LGR KNTS
4%	7%	10%	13%	1 per 3m length;
D, E, F, G, K	B, C, H, L, M	I, J Ungrd Spec	U, X	
6cm max	8cm max	I = 9cm, J = 4cm	13cm max	X-UTL ▶50cm up to 2 per 3m

HARDWOODS : DECIDUOUS SPECIES

C (cottonwood only) ▶5.0m ▶25cm Max twist 7% (8cm)	80 % Veneer	Knots < 4cm well spaced NO Conk, NO Butt Rot NO Sweep, No Crook
I S/L ▶5.0m ▶25cm	50%	25-36cm to 4cm; 38-48cm to 8cm; ▶50cm to 9cm
U UTL ▶5.0m 10-14cm or 15-24cm or ▶25cm	75 % 66.7 % 50 %	10-14cm to 4cm; 15-26cm to 6cm 28-36cm to 8cm; 38-48cm to 10cm ▶50cm to 12cm;
Y CHPR poorer than S/L, better than NRec, Dead Potential = Y or lower		
Z NRec, see Fir specs		

CEDAR (NO POWDER WORM in D, F, K, L, M, H - n/a CGNF)

DIMENSIONS	CUT	KNOTS (diameter)
D LBR ▶5.0m ▶60cm or ▶120cm	75 % 66.7 %	60-74cm 75% surface clear ▶76cm 67% surface clear
F LBR ▶5.0m ▶50cm	75 %	50-54cm surface clear; 60-74cm 67% surface clear ▶76cm knots allowed 75% 1 side or 50% 2 sides
K SHG ▶4.0m ▶50cm Slab ▶38cm thick	50 SS	50-58cm surface clear ▶60cm same as Cedar D
L SHG ▶4.0m ▶38cm Slab ▶26cm thick	50 SS	50% surf. Clr. Or spacing, round logs >60cm allow spacing
M SHG ▶4.0m ▶38cm Slab ▶16cm thick	50 SS	25% surf clear, or spacing, round logs >50cm allow spacing
H S/L ▶5.0m ▶38cm	75 %	see Fir H knot specs
I S/L ▶5.0m ▶38cm or ▶10.0m ▶50cm O/W H Quality	75 % 50 % 50 %	see Fir I knot specs see Fir H knots
J S/L, U & X UTL, Y CHPR, Z NRec see Fir specs		

SLABS

Cedar	D,F,K	H,I	L	M	U	X
Thickness	38cm	38	26	16	16	10
Mean dia.	50cm	38	38	26	16	10

Cedar : Use knot specs based on slab width. Thickness is rgt. angle to grain
Other species, I S/L & better, 38cm thick & mean diameter ▶grade rule

GENERAL FACTORS & RULES

LOG LENGTHS: Standard lengths 8m, 11m, 13m Min lgths 5m, Shingle 4m, Y 3m Heli Blocks, 4m & 8m allowed	LUMBER - no conk or blind cnk DEAD - must > 8m Gr U No Top = Gr N 99 00%
CROOK & PISTOL GRIP IN PEELERS <8.0 m - no loss allowed 8.0 m to <11.0 m - up to 1.2m Grade Con. ▶11.0 m - up to 2.0m Grade Con.	BUTT ROT IN PEELERS <8.0 m - none allowed 8.0 to <11.0 m - 1/3 butt meas ▶11.0 m - 1/2 butt meas
SWEEP IN PEELERS <8.0 m - up to 0.6m Grade Con 8.0 m to <11.0 m - up to 1.2m Grade Con. ▶11.0 m - up to 2.0m Grade Con	CONK +2m /-4m NF 50% Gr Y B/CONK +4m/-6m NF 50% Gr Y Fork w/decay 1m NF 50% Gr Z Crk w/decay 1m NF 50% Gr Z Rot Brch +/- 1m NF 50% Gr Z Shatter/Breakage - Gr Z Root Rot Deduct 0.6m
Mental Bucking Allowance <8.0 m - NO Bucks Allowed 8.0 m to <13.0 m - 1 Buck only ▶13.0 m - 2 bucks only	

BUTT ROT GUIDE

B/Rot Diam Ratio	N/F Deduction	Grade Consideration Length Not Recoverable
1/4	0.2m	0.6m
1/2	0.4m+	1.8m
3/4	1.2m+	3.6m
4/4	2.4m	4.2m
Sounding	0.8m	2.4m
P. schweinitzii	0.6m	2.0m

▶ means equal to or greater than (= or >)
O/W = otherwise

NB: Common lower grades are listed under FIR & PINE

4.2 Appraisal Standards

The current standards in Section 3.6 of the most recent *Cruising Manual* will be used. The appraisal requirements are:

- a. Damage coding – **greater than or equal to** 90% of the fire, down tree and insect damage codes must be correct.
- b. Plot slope - greater than or equal to 90% of the plot slopes must be within +/- 5 slope percent. The average variation of all slopes checked must be within 5 slope %.
- c. Plot Locations - consistent with the standards in section 3.6 of the *Cruising Manual*.
- d. Sounding.

The check cruiser will use an increment borer when they need to confirm the presence of butt rot determined by sounding. The check cruiser will always apply the 0.8 m length deduction when the boring confirms the presence of rot regardless of the thickness of the sound wood collar.

4.3 Plot Selection

Refer to Section 3.6 of the *Cruising Manual* for the details regarding the risk assessment and sampling intensity for check cruising.

In addition, the following minimum standards will apply:

A minimum of 5 full measure plots must be audited in order to reject a cruise (or other types of plots containing at least 20 volume measure trees), unless agreed to by the licensee or consultant.

4.4 Preparing the Quality Assurance Summary

1. Complete a summary report for each check plot and for all the plots checked.
2. Compile the audit sample to determine whether the net volume and value meet the standards. If the net volume and value standards are not achieved, then the cruise will be rejected and the reasons for the excessive variations documented and signed by the check cruiser.

Note that the net factor for a Z-grade piece is called as per the original cruisers estimate and is not subject to audit.

3. The check cruise report will be sent to the cruiser and licensee.

Selling Price Comparisons

The value standard is based on the average of the Vancouver Log Market selling prices published by Revenue Branch. The average selling prices by maturity and sorts will be used for calculating the selling prices for check cruising purposes and they will be updated June 1st of each year based on the average for the previous 12 months. Further investigation is required to analyse the variation in the selling prices over a two-year period to better understand the volatility of the selling prices. If the prices are stable, then an annual roll-up will be sufficient. Table 20 and 21 are based on the 2005 calendar year. The sort prices/m³ are weighted by the volume used in the selling price determination for each grade within the sort.

Table 20 Weighted Coast Selling Prices - Mature Grades

(\$/Cubic Metre)

Sort	Alder	Birch	Maple	Cotton-Wood	Cedar	Cypress	Fir	Hem Bal	Spruce	Pine
B, D, F, G					206	360	332	121	290	54
C				36			151			
H, I	75	75	55	36	120	120	118	62	105	45
J					104	64	81	50	64	61
K, L, M					99					
U, X	75	75	55	36	40	39	44	33	37	28
Y	27	27	20	36	10	11	27	29	28	18
Z, N										

Table 21 Weighted Coast Selling Prices - 2nd Growth

(\$/Cubic Metre)

Sort	Alder	Birch	Maple	Cotton-Wood	Cedar	Cypress	Fir	Hem Bal	Spruce	Pine
B, D, F, G					109	360	91	52	52	54
C				36			98			
H, I	75	75	55	36	95	120	88	46	44	47
J					89	64	77	46	64	61
K, L, M					57					
U, X	75	75	55	36	46	39	42	33	34	28
Y	27	27	20	36	10	11	27	29	29	19
Z, N										

Card Type 2

Positions 25 to 26	Tree number (numeric).
Positions 27 to 29	Tree height (numeric).
Positions 30 to 31	Species – (alpha) – see Chapter 6 of the Cruising Manual for the acceptable genus and species codes.
Positions 32 to 35	Diameter at breast height (numeric).
Position 36	Tree Class – loss factor cruises only (numeric).
Positions 37 to 44	Pathological Indicators – loss factor cruises only (numeric).
Positions 45, 48, 49, 50, 51	Quality Remarks – loss factor cruises only – (alpha/numeric).
Position 59	Selective Cutting Indicator – mark to cut (C or blank) or leave (L).
Position 60	Root rot codes J, K, L.
Position 61	Insect/defoliator codes – (alpha/numeric).
Position 62	Fire damage codes A (light), B (moderate), C (Heavy).
Position 63	Down tree codes E or G or standing (blank).
Position 64	Mature (M) or Second growth (S) – second growth conifer is less than 141 years old and deciduous is less than 41 years old.
Position 65	Live (L) or Dead (D) – dead trees do not have any live cambium.
Positions 66, 71, 76, 81, 86	Log grades #1 to #5 – (alpha) – note that if a tree has more than 5 logs then the next row can be used for logs #6 to 10.
Positions 67-68, 72-73, 77-78, 82-83, 87-88	Log lengths #1 to #5 – (numeric) – nearest whole metre – note that if a tree has more than 5 logs then the next row can be used for logs #6 to 10.
Positions 69-70, 74-75, 79-80,84-85,89-90	Log net factors #1 to #5 – (numeric, percent soundwood to nearest whole number in percent) – note that if a tree has more than 5 logs then the next row can be used for logs #6 to 10.

Card Type 3

Positions 25 to 26	Tree number (numeric).
Positions 27 to 29	Tree height (numeric).
Positions 30 to 31	Species (alpha).
Positions 32 to 35	Diameter at breast height (numeric).
Position 36	Crown class codes 1 to 4 (numeric).
Positions 37 to 39	Total age in years (numeric) – note that this age includes corrections.
Position 40	Selective cutting indicator - mark to cut (C or blank) or leave (L).
Positions 41 to 43	Counted age in years (numeric).
Positions 44 to 45	Corrected years (numeric) – note that this value is derived from the Site Index Tables for B.C. in Appendix 9 of the <i>Cruising Manual</i> .
Positions 46 to 47	Bored height in metres (numeric) – this is DBH (1.3 metres).
Additional Fields	Borderline tree measurements and tree remarks can be entered.

Back of Cruise Tally Card

The cruiser and check cruiser are required to print and sign their name and date each tally card.

Appendix III Transition from Loss Factor to CGNF Cruising

CGNF cruising commences January 1, 2007. Loss factor cruising will be required concurrently with CGNF cruising for at least one year.

The following standards are required until dual data collection is no longer required:

Dead useless, live useless and dead potential tree classes will be recorded as follows:

1. Dead Potential Tree Classes with a least an 8 m U-grade – CGNF all of the logs in the tree.
2. Dead Potential Tree Classes that do not have at least an 8 m U-grade – record the CGNF attributes as Z-99-00.
3. Dead Useless Tree Classes with at least an 8 m U-grade – CGNF all of the logs in the tree. Record the DBH and the total projected tree height.
4. Dead Useless Tree Classes that do not have at least an 8 m U-grade – do not record or measure these trees.
5. Live Useless Tree Classes – CGNF the whole tree as per the standards. Record the DBH and the total projected tree height.

Appraisal and Timber Merchantability Standards

Down Tree Codes – Position 63 on the tally card – continue to code E or G as per section A.6.3 of the *Cruising Manual*. Only one code will be necessary once loss factor cruising is not required.

Live/Dead – Postion 64 on the tally card – code L for live trees and D for dead trees since the CGNF cruise compilation program requires this information for the assignment of the net volume adjustment factors.

Mature/Second Growth – code “M” for mature coniferous trees greater than 140 years old and mature deciduous trees greater than 40 years old. Code “S” for coniferous trees less than 141 years old and deciduous trees less than 41 years old. The percent immature by block and the percent second growth for the cutting authority will continue to be calculated using the age in 10s and tree class while these attributes will be calculated using codes “M” and “S” for CGNF cruising.

Note – dead useless trees that do not have at least an 8 m U-grade log in them are no longer recorded in CGNF and loss factor cruises.

This page is intentionally left blank.