



Subject: Fortis BC Service Connections for Traffic Signals	
Date: November 30 , 2006	Author: Ross Casey
Bulletin Number: TE-2006-06 Bulletin Type: Clarification of Procedure	Effective Date: Immediately
Audience	Standards Affected
All Personnel involved with initiating Ministry of Transportation Electrical Service Connections with Fortis BC.	.

BACKGROUND:

The Ministry of Transportation has not been required to install meters by Power Utilities for electrical services as loads have generally been definable and predictable. This arrangement served both parties well as meters and related equipment can be susceptible to vandalism and meter reading can be costly, especially in remote areas and challenging in high traffic areas. Furthermore, the Ministry has generally been diligent in advising Power Utilities of load changes.

As a result of inventory audits, Fortis BC has indicated that accounts for traffic signals are not as accurate as they would like and have ruled that all new traffic signal installations shall have meters installed in advance of the service panels as noted in the attached Fortis BC drawings M1 and M 4.

Policy:

All new Ministry Fortis BC services for traffic signals only (includes traffic signals and any other loads connected to traffic signal services) shall have meters installed in advance of service panels as noted above.

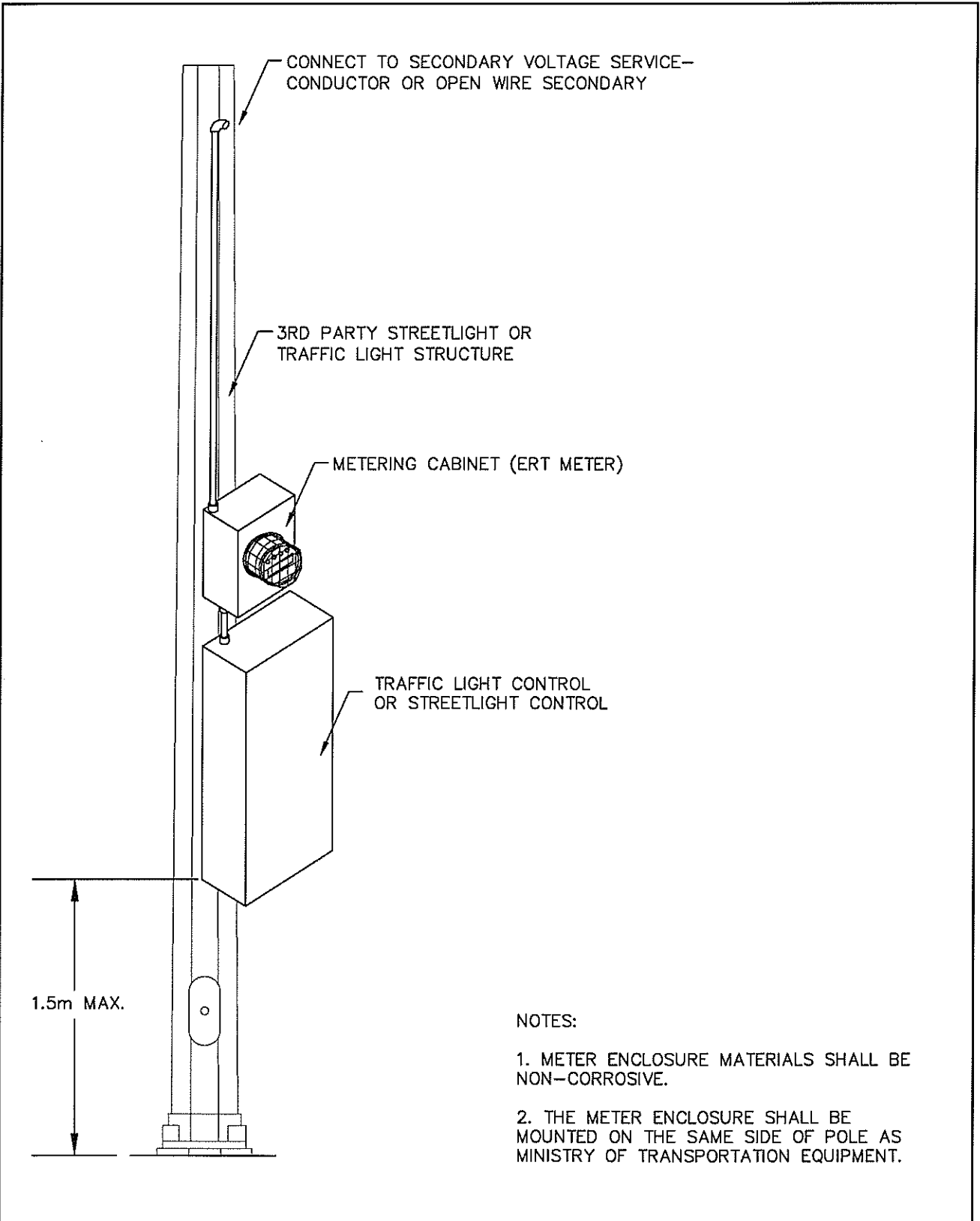
Procedure:

Designers shall contact the local Fortis BC office in writing to confirm service availability and also to confirm the requirements for a meter. A record of the communication with Fortis BC shall be included in the project design folder so that the Ministry can reference the dates and parties involved when applying for service.

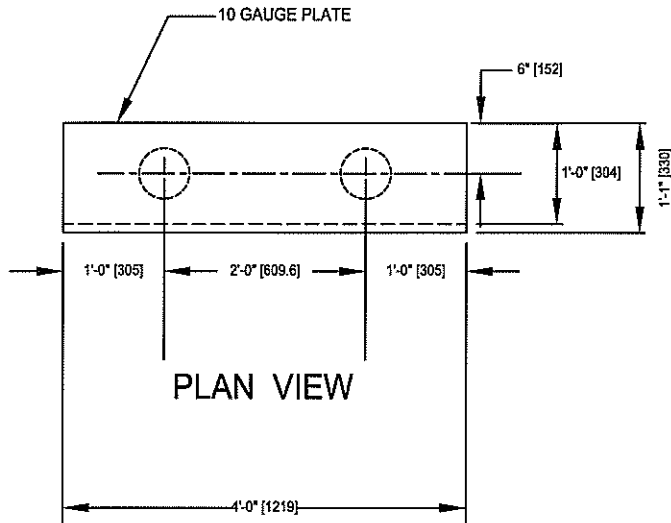
Please see following link to access the Fortis *Service and Metering Guide*.
http://www.fortisbc.com/service_request.htm

CONTACT:

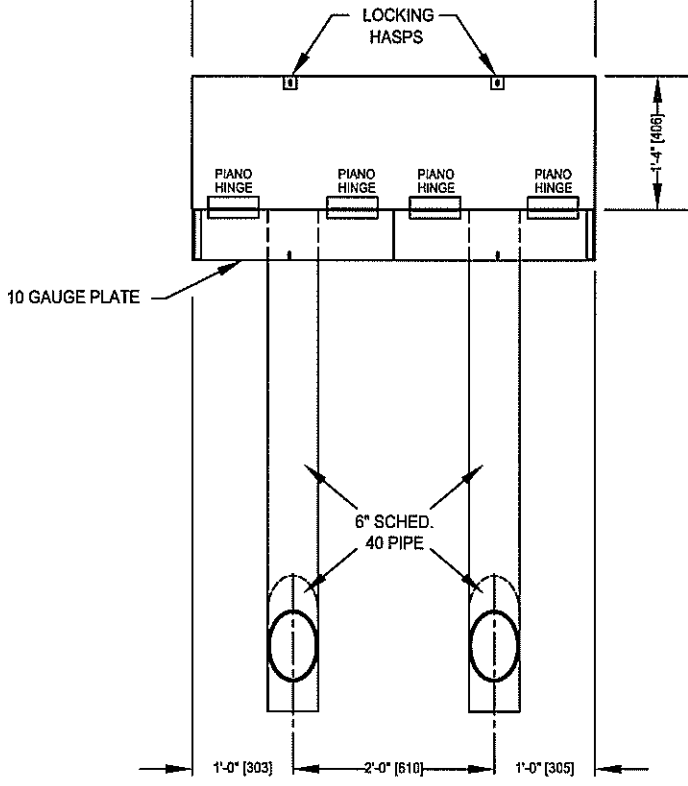
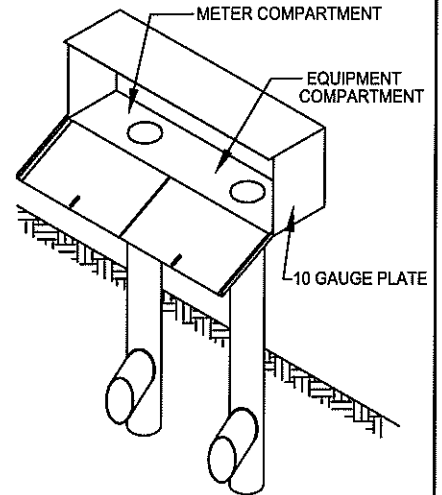
Ross Casey, Senior Electrical Standards Technologist
Traffic, Electrical, Highway Safety and Geometric Design Section
Engineering Branch
Phone: (250) 387-7688
Email: ross.casey@gov.bc.ca



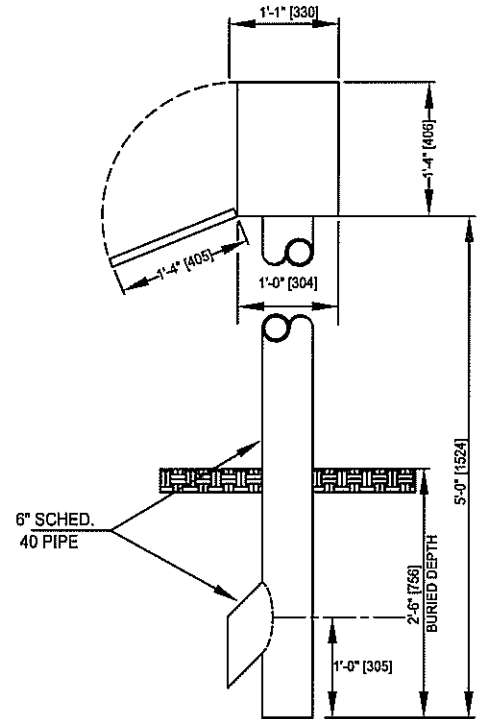
6																				
5																				
4																				
3																				
2																				
1																				
REV	DATE	BY	CHECKED	DESCRIPTION	APP.	DATE	DRAWN BY TBH JUN'06 TRAFFIC LIGHT AND STREETLIGHT METERING (OVERHEAD FEED)										DRAWING No.	REV.		
							CHECKED BY <i>BeB</i> <i>Oct/06</i>										M1	0		
							APPROVED BY <i>ay</i> <i>Oct 24/06</i>													
							FORTISBC													



PLAN VIEW



FRONT VIEW

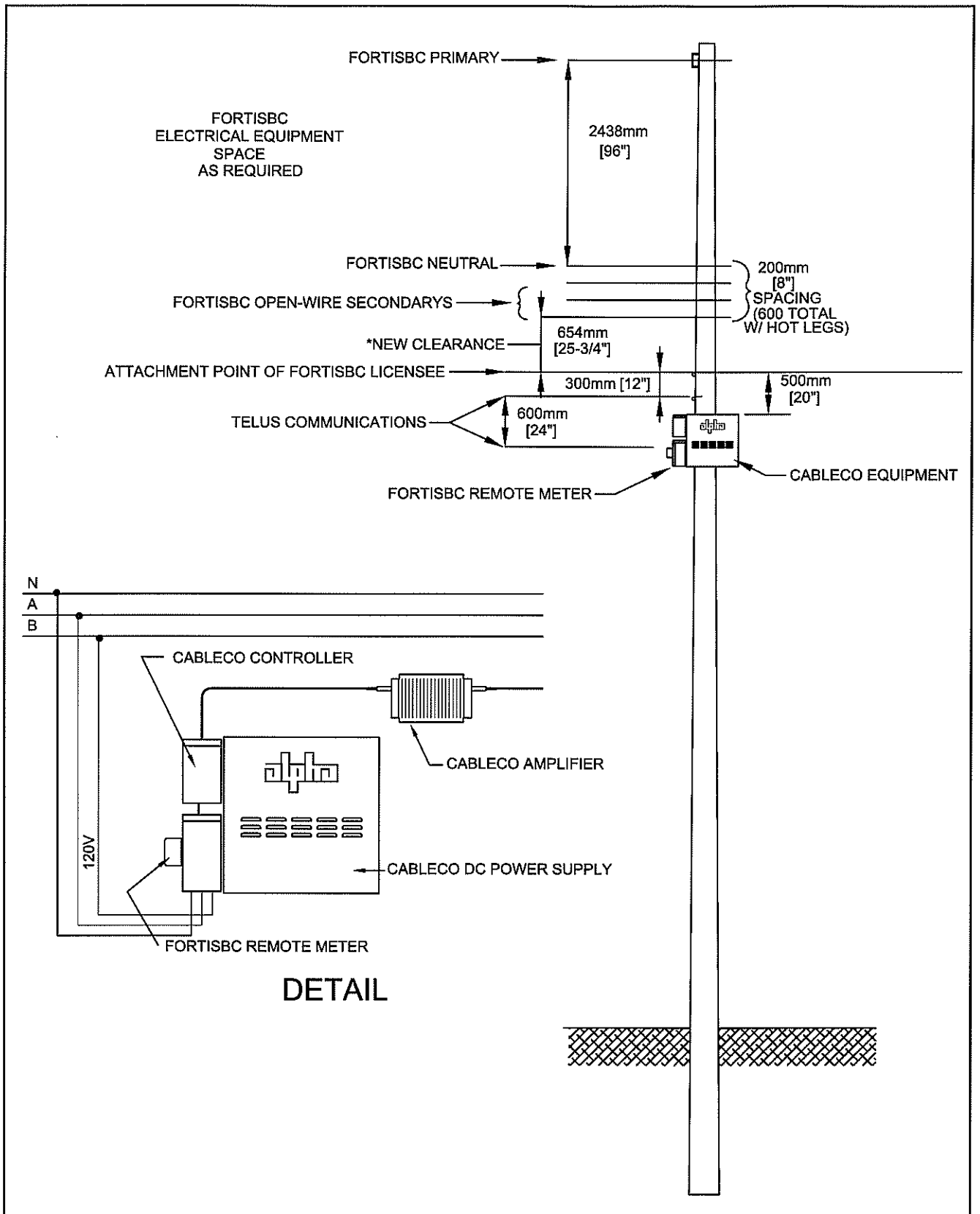


SIDE VIEW

- NOTES:
 1) ALL CONSTRUCTION DONE BY THE CUSTOMER MUST USE CSA APPROVED MATERIALS AND MUST BE IN ACCORDANCE WITH THE CANADIAN ELECTRICAL CODE AND PROVINCIAL STANDARDS.
 2) BURIAL DEPTH OF THE ENCLOSURE IS 2.5 FEET OR 756mm
 3) THIS ENCLOSURE TO BE USED FOR MUNICIPAL SERVICES, LIGHTING, AND IRRIGATION

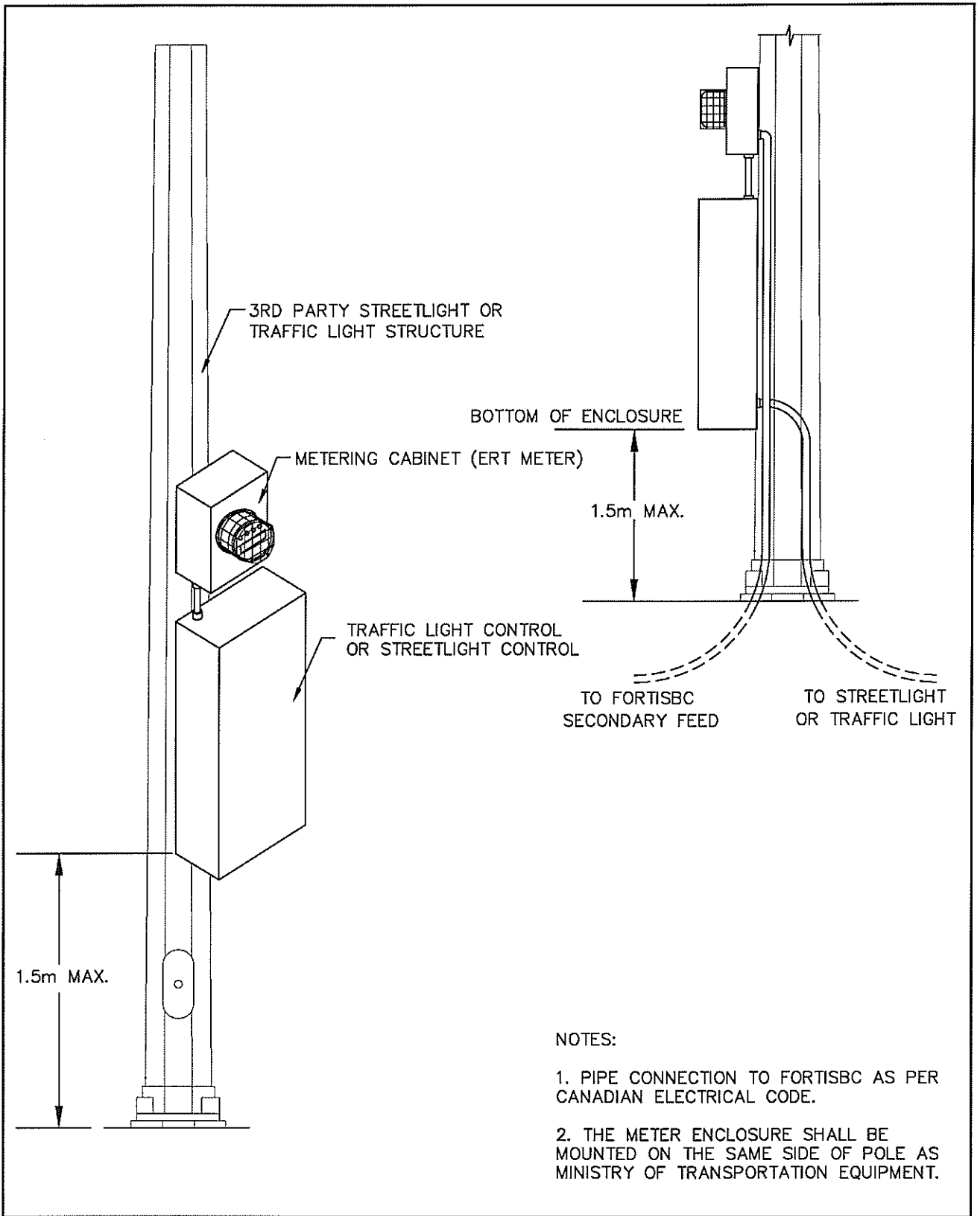
6						
5						
4						
3						
2						
1	JUN'06	TBH		ADDED GROUNDLINE DIMENSION, CHANGES TO DOOR(S)		
REV	DATE	BY	CHECKED	DESCRIPTION	APP.	DATE

DRAWN BY	RB	OCT'94	METER VAULT
CHECKED BY	TBH	OCT'06	
APPROVED BY	[Signature]	02/10	
FORTISBC			DRAWING No. M2
			REV. 0



DETAIL

6																				
5																				
4																				
3																				
2																				
1																				
REV	DATE	BY	CHECKED	DESCRIPTION				APP.	DATE	FORTISBC				DRAWING No.		REV.				
				M3						M3				0						



NOTES:

1. PIPE CONNECTION TO FORTISBC AS PER CANADIAN ELECTRICAL CODE.
2. THE METER ENCLOSURE SHALL BE MOUNTED ON THE SAME SIDE OF POLE AS MINISTRY OF TRANSPORTATION EQUIPMENT.

6					
5					
4					
3					
2					
1					
REV	DATE	BY	CHECKED	DESCRIPTION	APP. DATE

DRAWN BY	TBH	AUG'06	TRAFFIC LIGHT AND STREETLIGHT METERING (UNDERGROUND FEED)
CHECKED BY	<i>BEL</i>	<i>Oct/06</i>	
APPROVED BY	<i>any</i>	<i>Oct 2006</i>	
			DRAWING No. M4
			REV. 0