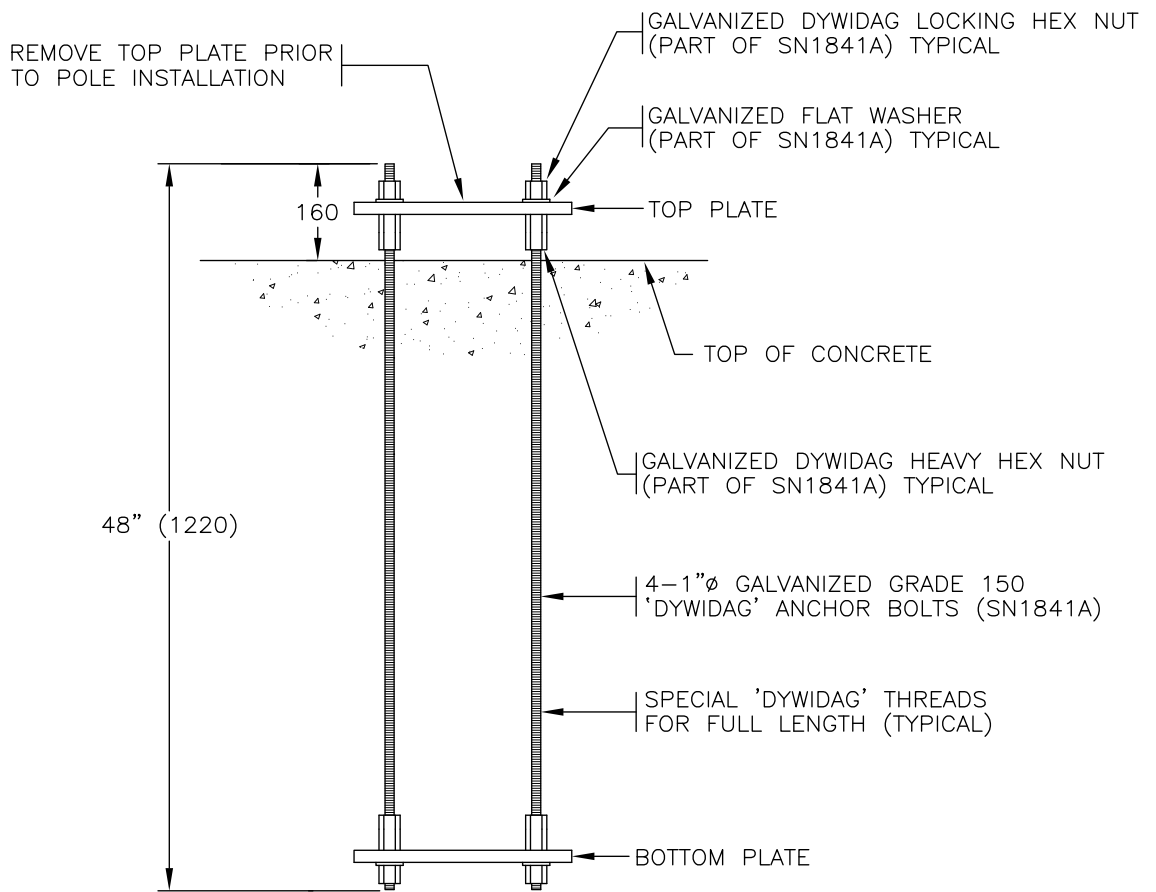


TOP AND BOTTOM PLATES



ANCHOR BOLT CAGE
SN1841A

APPROXIMATE MASS
60 kg

SEE DRAWINGS SP635-1.1.11, 1.1.14 AND 1.1.16 FOR NOTES AND ADDITIONAL DETAILS



BRITISH COLUMBIA

Ministry of Transportation

NOT TO SCALE

No.	Revision	Date
F		
E		
D		
C	TYPE S POLE ADDED & TOP PLATE NOTE REVISED	OCT 03
B	HOLE SIZE IN PLATE ADDED	AUG 95
A	GENERAL REVISIONS	AUG 94

**ANCHOR BOLT CAGE
FOR TYPE 6, 7 & S SHAFTS**

Date Approved
30/09/93 E.L. (Signature on File)
Chief Highway Engineer

SPECIFICATION DRAWING No.
SP635-1.1.18