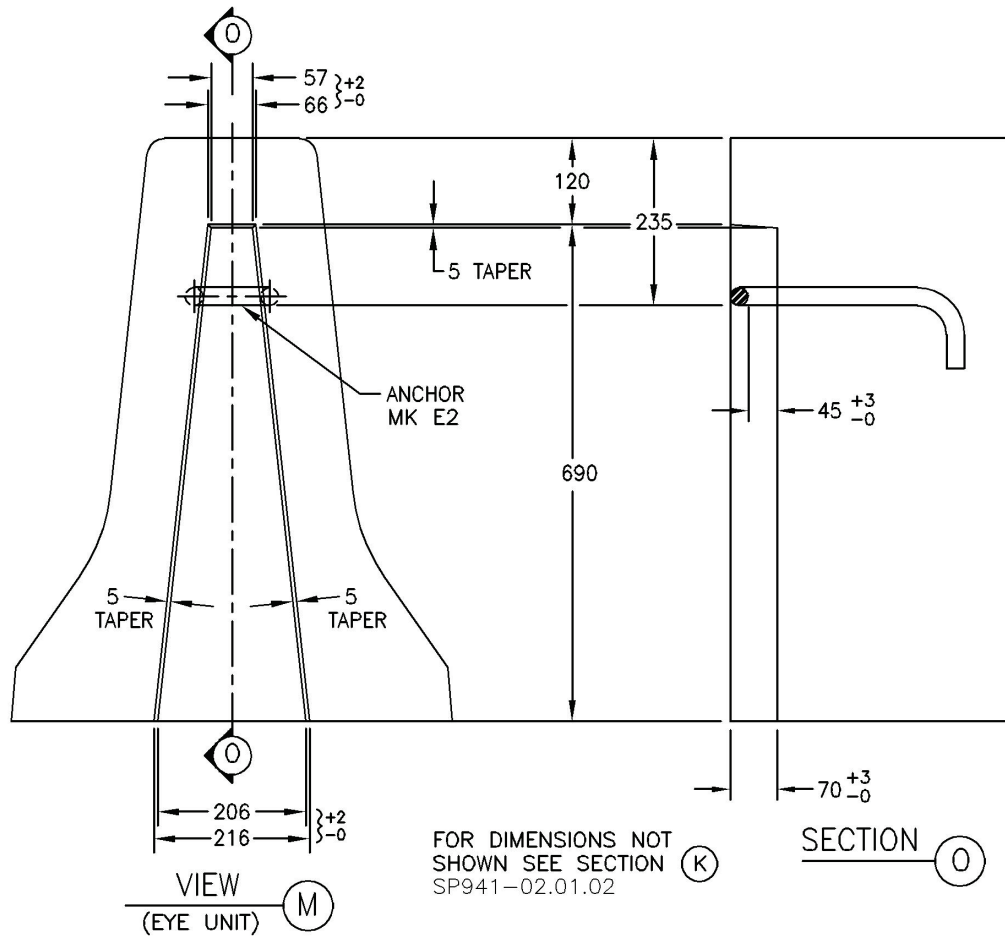
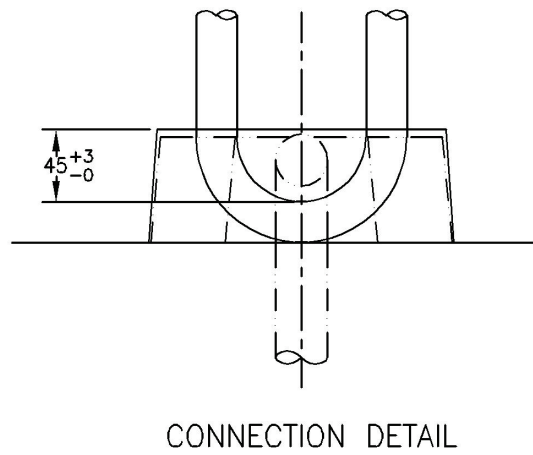
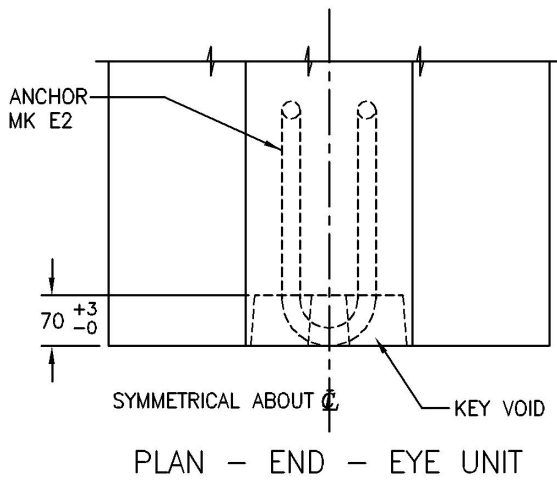


PRECAST CONCRETE MEDIAN BARRIER  
810 mm – CMB-E DETAILS

SP941-02.01.04



FOR DIMENSIONS NOT SHOWN SEE SECTION (K)  
SP941-02.01.02



NOTES:

1. FOR LOCATION OF VIEW (M) SEE SP941-02.01.02.
2. FOR GENERAL NOTES SEE SP941-01.02.01.
3. FOR DETAILS OF ANCHORS SEE SP941-04.01.01.
4. THE CONNECTION DIMENSIONS PERMIT INSTALLATION TO A MINIMUM HORIZONTAL CURVE RADIUS OF 95.5 METRES.

NOT TO SCALE

ALL DIMENSIONS ARE IN MILLIMETRES UNLESS OTHERWISE NOTED