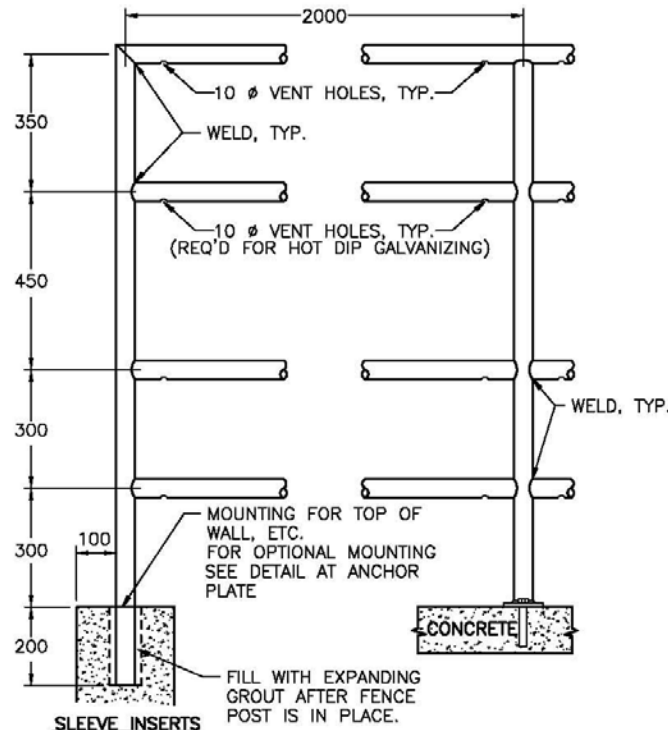
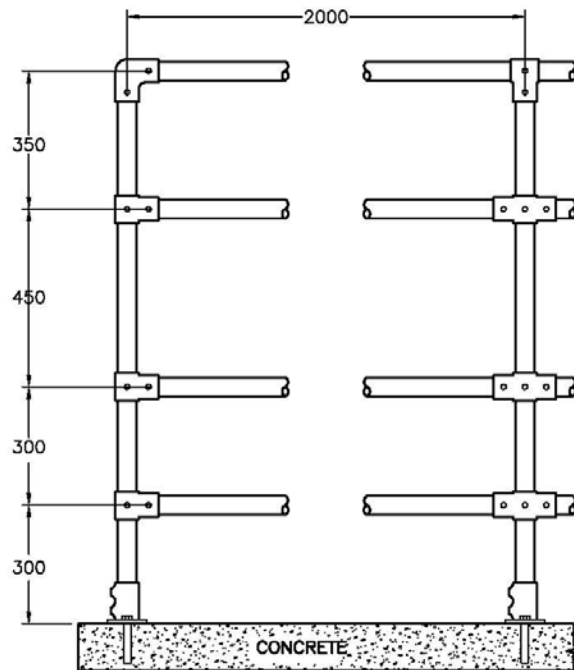


BICYCLIST SIDEWALK FENCE – WELDED OR SLIP-ON

SP741-07.02



WELDED FENCE



SLIP-ON FENCE

NOTES:

1. ALL DETAILS NOT SHOWN SIMILAR TO SP741-07.01.
2. BASE PLATES TO BE 12.7 mm THICK.
3. ALL POSTS TO BE 48 mm O.D. TO ASTM A53 GRADE 240 MPa 'XXS' (SCHEDULE 160).

NOT TO SCALE

ALL DIMENSIONS ARE IN MILLIMETRES UNLESS OTHERWISE NOTED