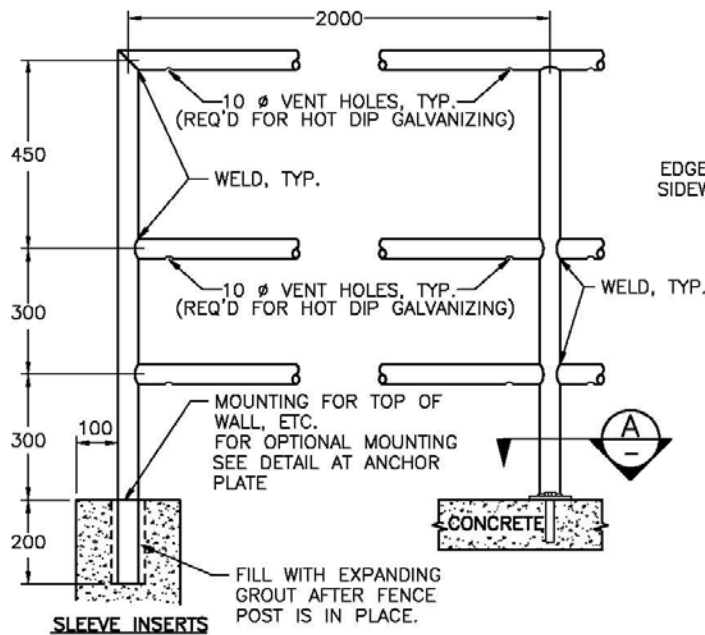
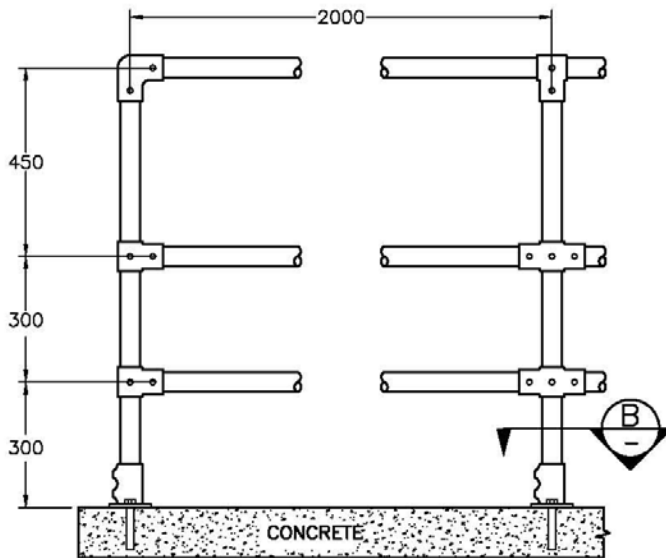


PEDESTRIAN SIDEWALK FENCE – WELDED OR SLIP-ON

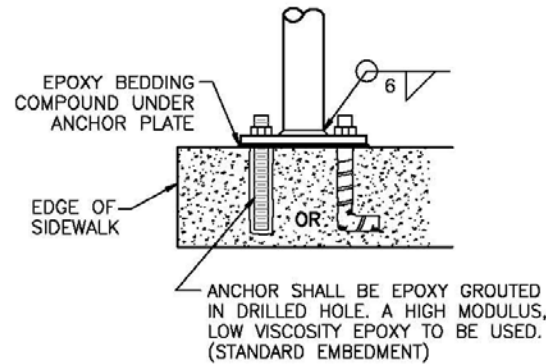
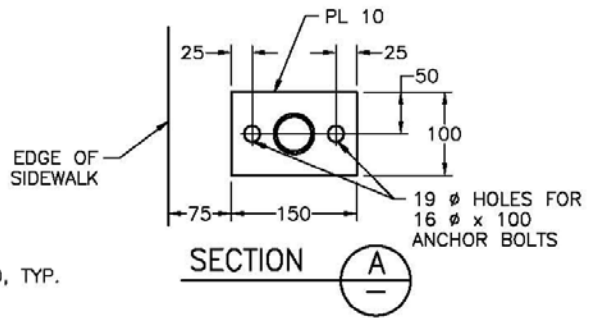
SP741-07.01



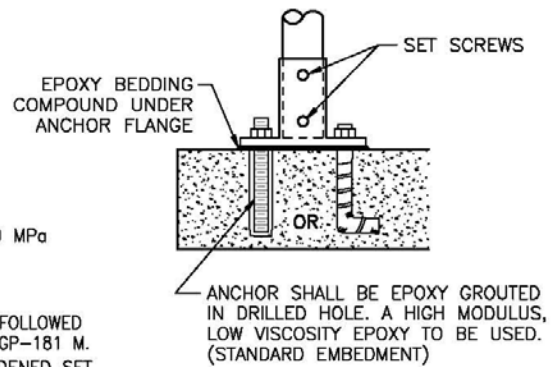
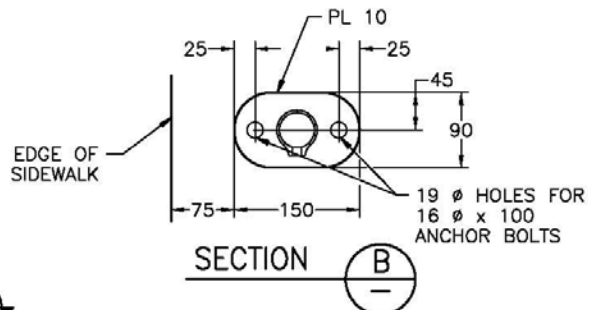
WELDED FENCE



SLIP-ON FENCE



DETAIL AT ANCHOR PLATE



DETAIL AT ANCHOR FLANGE

NOTES:

1. ALL RAILS AND POSTS TO BE 48 mm O.D. TO ASTM A 53 GRADE 240 MPa GALVANIZED PIPE. RAILS TO BE STANDARD WEIGHT (SCHEDULE 40). POSTS TO BE 'XS' (SCHEDULE 80).
2. WELDS SHALL BE FULL BEAD.
3. FIELD WELDS SHALL HAVE ROUGH EDGES GROUND SMOOTH IMMEDIATELY FOLLOWED BY TWO APPLICATIONS OF A ZINC RICH COATING CONFORMING TO CGSB 1-GP-181 M.
4. PIPE FITTINGS SHALL BE GALVANIZED MALLEABLE IRON WITH CASE HARDENED SET SCREWS CONFORMING TO ASTM A 47 GRADE 32510 AND ASTM A 153.
5. WELDED FENCE TO BE GALVANIZED AFTER FABRICATION.
6. GALVANIZING SHALL BE IN ACCORDANCE WITH CSA SPECIFICATION G164, TABLE 1.
7. FENCE DESIGNED FOR 1 kN SINGLE POINT LOAD APPLIED ANYWHERE.

NOT TO SCALE

ALL DIMENSIONS ARE IN MILLIMETRES UNLESS OTHERWISE NOTED