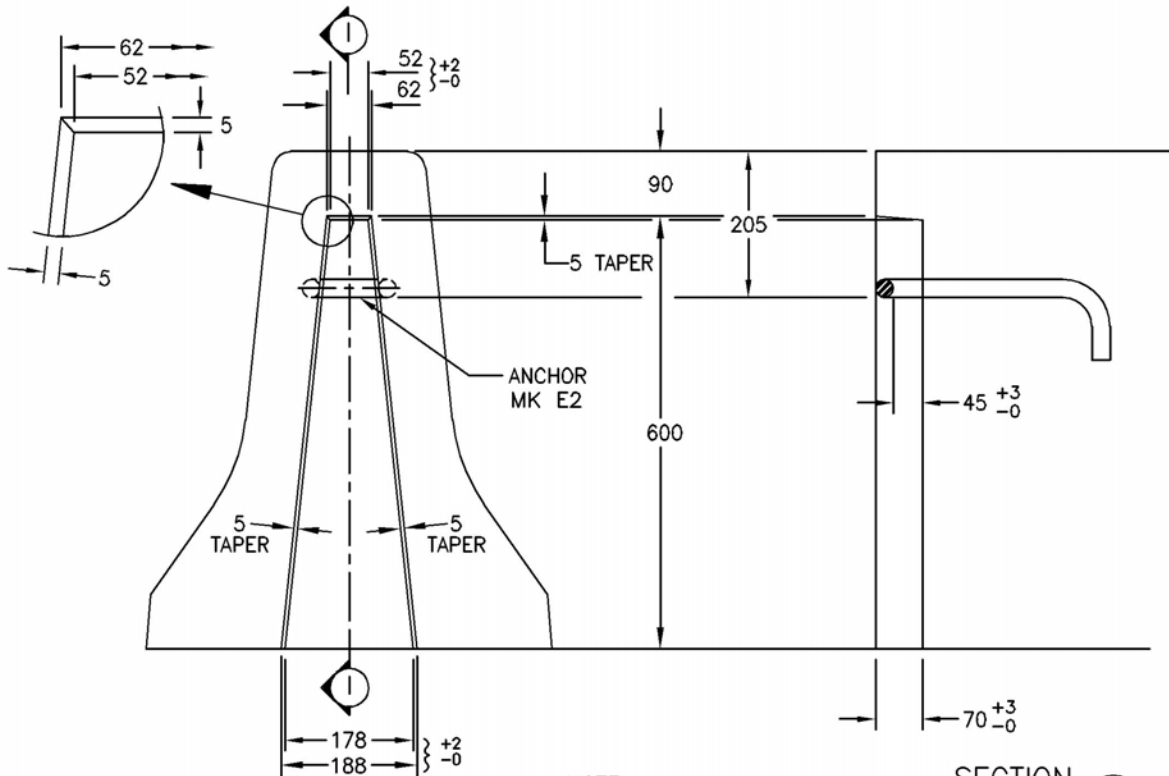


PRECAST CONCRETE ROADSIDE BARRIER
690 mm – CRB-E DETAILS

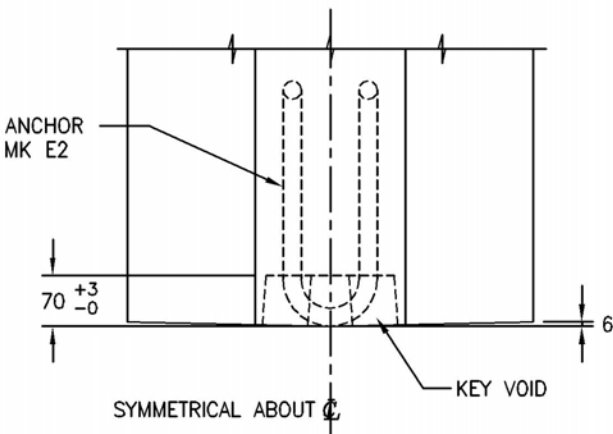
SP941-01.02.04



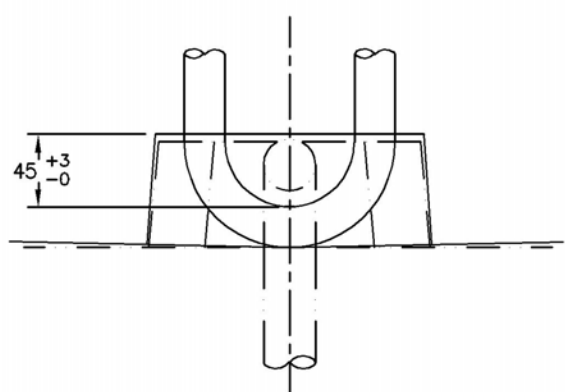
VIEW (EYE UNIT) (G)

NOTE:
FOR DIMENSIONS NOT SHOWN SEE SECTION (E)
SP941-01.02.02

SECTION I



PLAN - END - EYE UNIT



CONNECTION DETAIL

- NOTES:
1. FOR LOCATION OF VIEW (G) SEE SP941-01.02.02, SP941-01.02.05 & SP941-03.01.01.
 2. FOR GENERAL NOTES SEE SP941-01.02.01.
 3. FOR DETAILS OF ANCHORS SEE SP941-04.01.01.
 4. THE CONNECTION DIMENSIONS ON A CRB-E UNIT PERMIT INSTALLATION TO A MINIMUM HORIZONTAL CURVE RADIUS OF 51 METRES. FOR TIGHT CURVATURE INSTALLATION SEE SP941-02.01.08 & SP941-02.01.09.

NOT TO SCALE ALL DIMENSIONS ARE IN MILLIMETRES UNLESS OTHERWISE NOTED