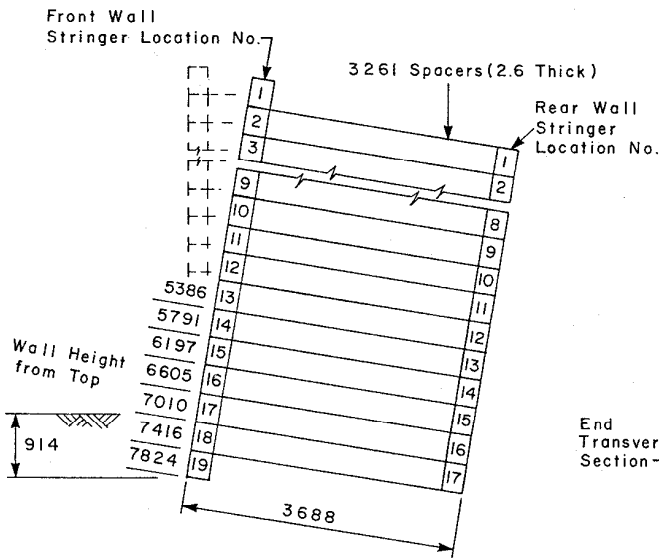
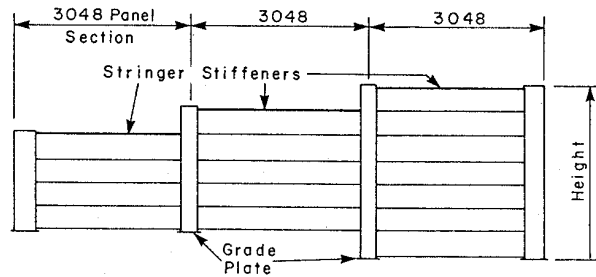


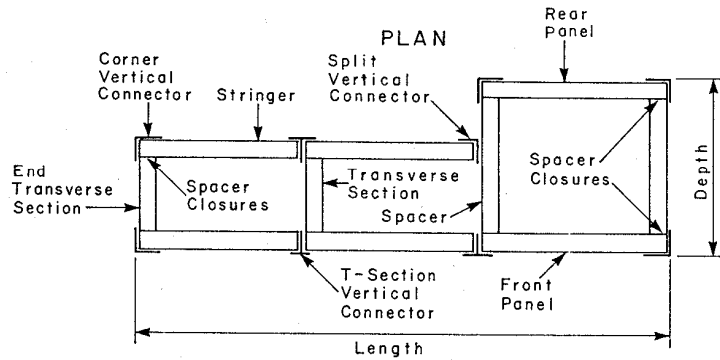
DESIGN D



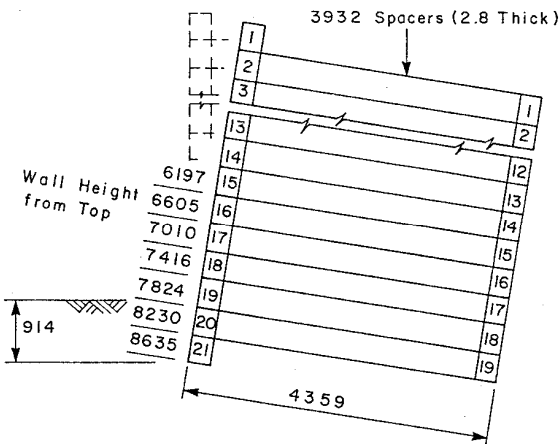
ELEVATION



PLAN



DESIGN E

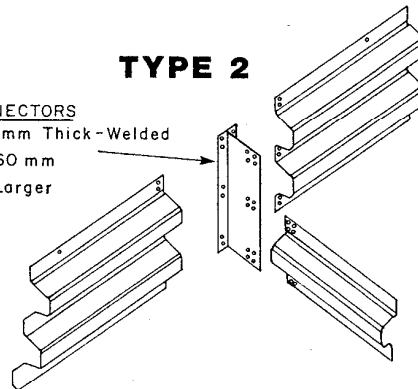


Front Wall Stringer Location No.	Rear Wall Stringer Location No.	Thickness
1 through 8	1 through 6	1.6
9 through 12	7 through 10	2.0
13 through 19	11 through 17	2.8
20 and 21	18 and 19	3.5

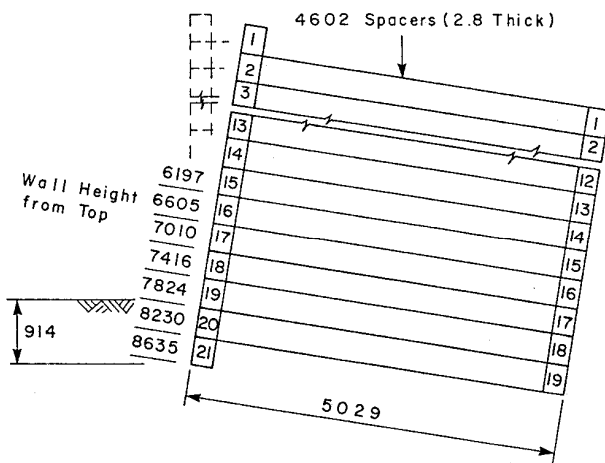
TYPE 2

VERTICAL CONNECTORS

- Steel Plate 6.3 mm Thick - Welded
- Max. Length 3660 mm
- Splice Plate if Larger



DESIGN F



- NOTES** :- Binwall Batter = 1:6 or Vertical as Required by Contract Drawings.
- Curvature Detail in accordance with Suppliers Manual.
- All Measurements in Millimetres.
- For Type 1 see Dwg. 3-SP232.



Province of British Columbia
Ministry of Transportation and Highways

Revisions	TYPE 2 METAL BIN WALL DESIGNS D, E & F	
	Date 12/85	Approved MGE/ster
	11/06	
	Exec. Dir. of Engineering	
	SPECIFICATION DRAWING No. 2-SP 232	