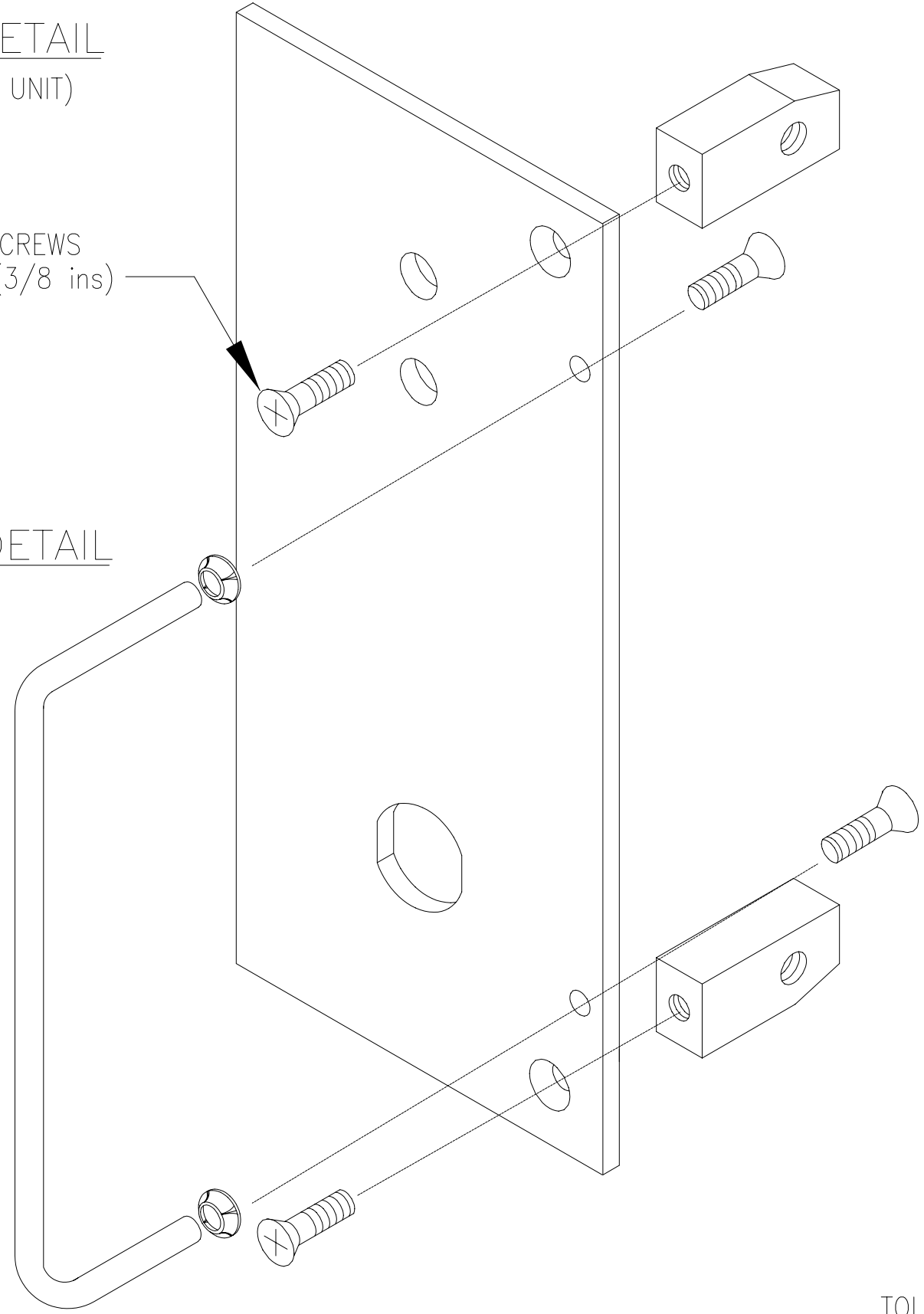


CHICKLET DETAIL  
(2 REQUIRED PER UNIT)

2 MOUNTING SCREWS  
4/40 x 9.5mm (3/8 ins)  
FHMS

ASSEMBLY DETAIL



FULL SCALE

DIMENSIONS:  $\frac{\text{MILLIMETERS}}{\text{INCHES}}$

TOLERANCES:  
DECIMAL (mm): ±0.1  
DECIMAL (ins): ±0.02  
FRACTIONAL: ±1/64

No.	Revision	Date
DRAWING ISSUED		DEC03

POWER SUPPLY FACEPLATE ASSEMBLY AND CHICKLET DETAILS	
 <b>BRITISH COLUMBIA</b>	<b>Ministry of Transportation</b>
SPECIFICATION DRAWING No. MS1303.3	