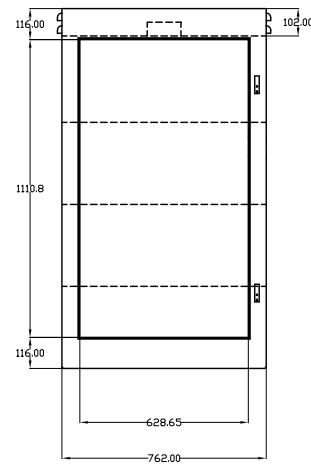
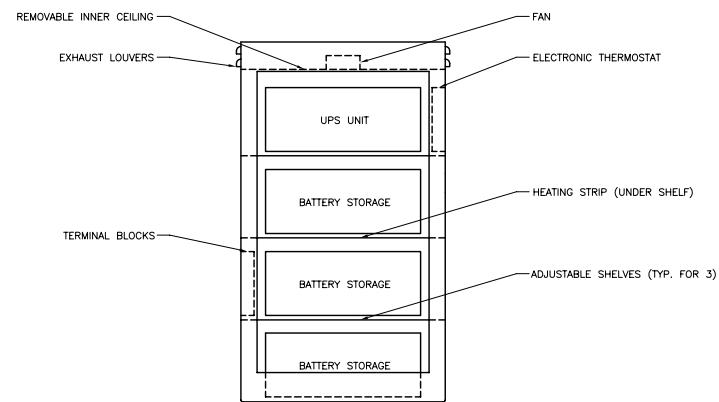


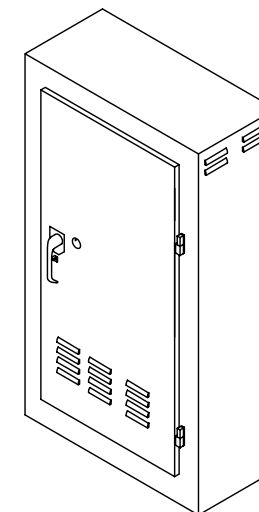
EXTERNAL CABINET SIDE VIEW (TYPICAL)



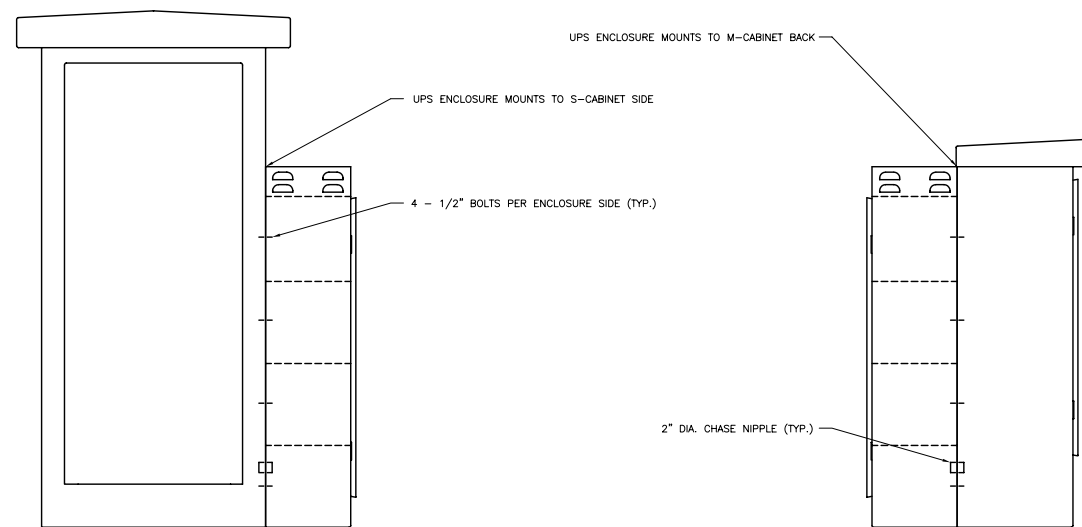
EXTERNAL CABINET FRONT VIEW



INTERNAL CABINET LAYOUT FRONT VIEW



CABINET ISOMETRIC VIEW



UPS ENCLOSURE INSTALLATION WITH AN S-SERIES CABINET

UPS ENCLOSURE INSTALLATION WITH AN M-SERIES CABINET


- NOTES:
1. SHELVING TO BE SUPPORTED IN AT LEAST FOUR PLACES.
 2. ALL OUTSIDE EDGES TO BE FILLETED R6.4MM

FINISH: POWDER COATING : PROTECH POWDER #PS221A40
COVERED WITH DURETHANE CLEAR-COAT DU1000

MATERIAL: 3.2MM (0.125 INS) ALUMINUM

DIMENSIONS: MILLIMETERS

TOLERANCES: GENERAL - ± 0.8 MM

		 MINISTRY OF TRANSPORTATION ELECTRICAL ENGINEERING CENTRE	
DESIGNED By _____ DATE ____		CHECKED By _____ DATE ____	
M.O.T. ELECTRICAL DESIGN APPROVAL _____ DATE ____			
UNINTERRUPTIBLE POWER SUPPLY ENCLOSURE			
ENCLOSURE SHELL AND GENERAL LAYOUT			
ELECTRICAL ENGINEER OF RECORD (FOR CURRENT REVISION)			
REV DATE		DESCRIPTION	
00	DEC 2003	NEW SERIES CREATED	KCH
SHEET NUMBERS		SITE CODE	HWY DIST REGION
SHEET 1 OF 2			DRAWING NUMBER MS1103.1