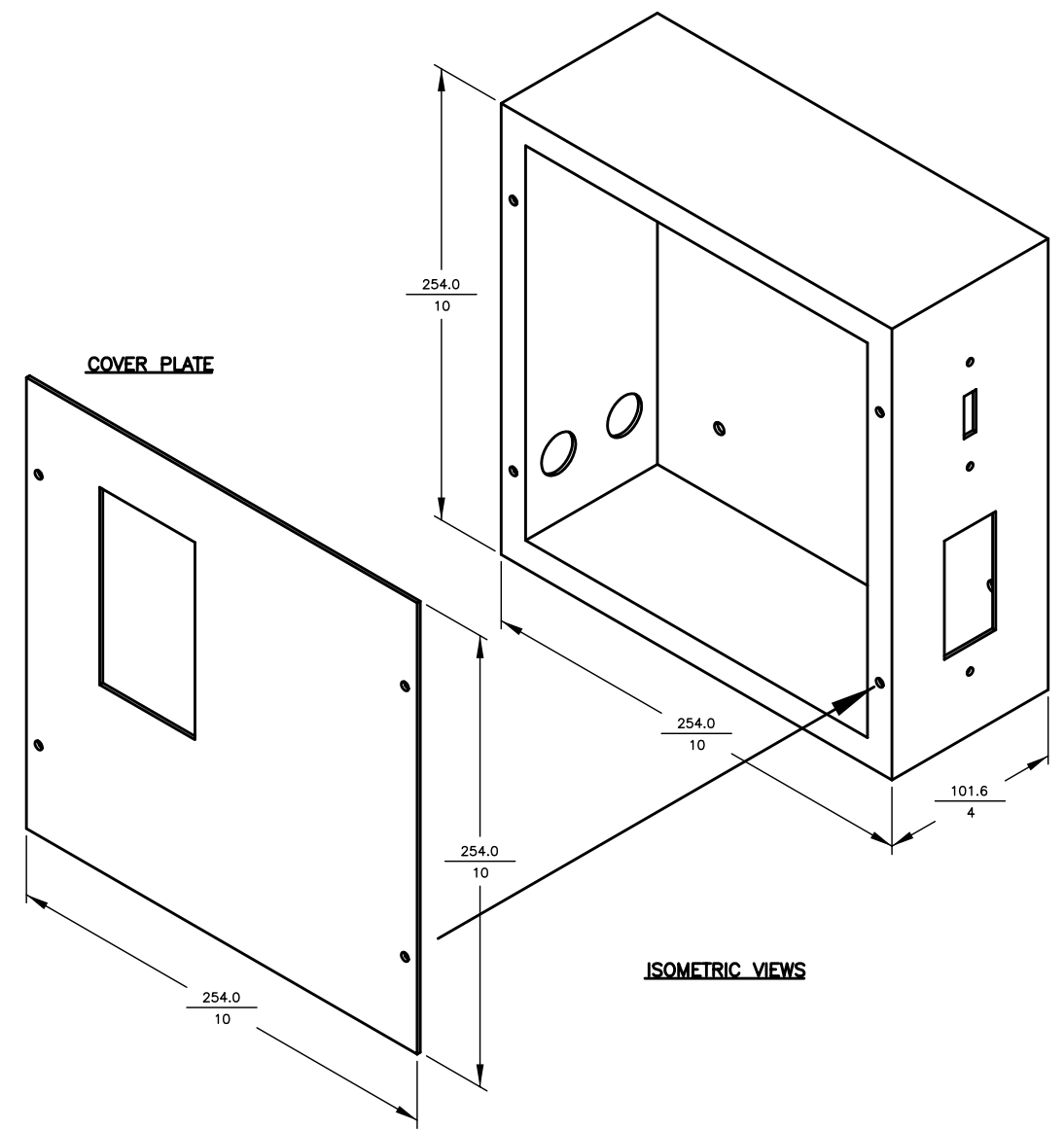
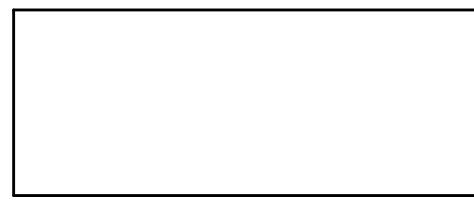
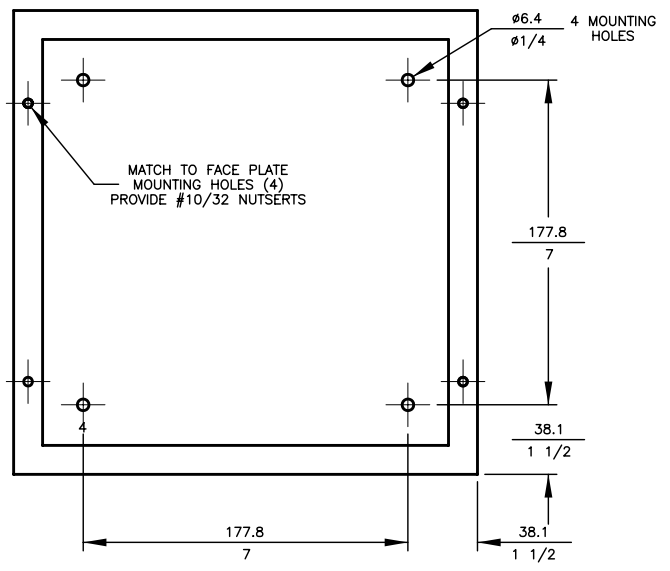
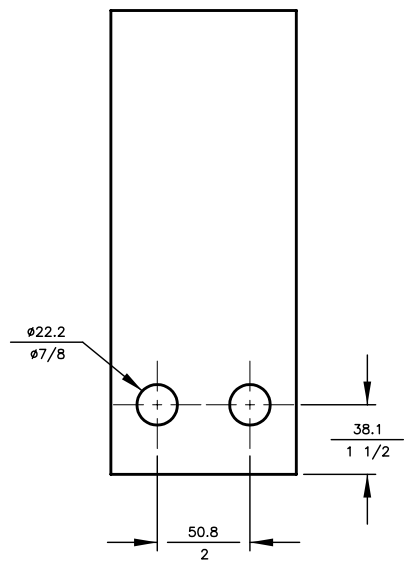


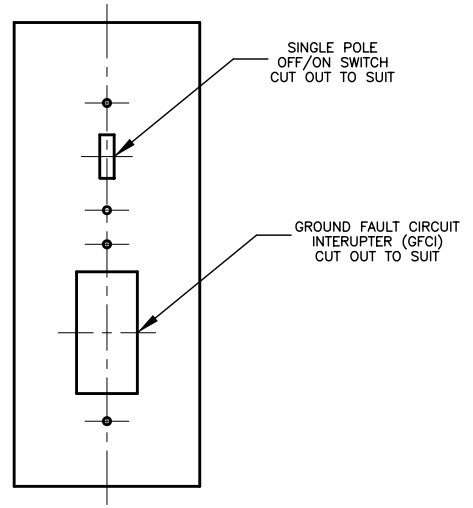
**COVER PLATE**



**ISOMETRIC VIEWS**



**ELECTRICAL BOX GENERAL ARRANGEMENT**



SCALE 1:2  
 MATERIAL: 12 GA ALUMINUM SHEET  
 FINISH: DEBURR ALL EDGES  
 DIMENSIONS: MILLIMETERS  
 INCHES  
 TOLERANCES: GENERAL - ±1.6mm (1/16 ins)  
 OTHERS - ±0.8mm (1/32 ins)

!!WARNING!!  
 THIS DRAWING ORIGINALLY PLOTTED ON A1 SIZE SHEET. NOT TO SCALE.

**NOTE: THIS DRAWING SUPERCEDES MSXXX.XXX**

Province of British Columbia  
 Ministry of Transportation and Highways  
 Highway Engineering Branch - Electrical (TEC)

No.	Description	Date
J	XXX	XXX
I	XXX	XXX
H	XXX	XXX
G	XXX	XXX
F	XXX	XXX
E	XXX	XXX
D	XXX	XXX
C	XXX	XXX
B	XXX	XXX
A	DRAWING ISSUED	05/93

**B TYPE CABINET  
 MASSEY TUNNEL OVER HEIGHT DETECTION SYSTEM  
 ELECTRICAL COMPONENT HOUSING**

Date: \_\_\_\_\_ Approved: \_\_\_\_\_ Drawing No. **MS1101.8**

Chief Highway Engineer

REVISION

A