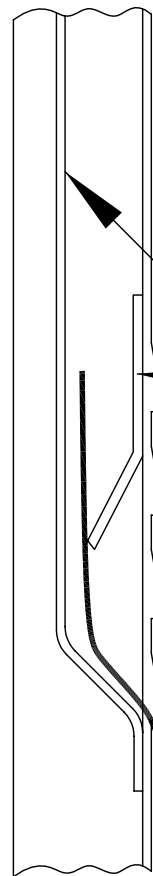


INSIDE

OUTSIDE



MOUNT FILTER TO INNER SKIN, REFER TO MS704.8A

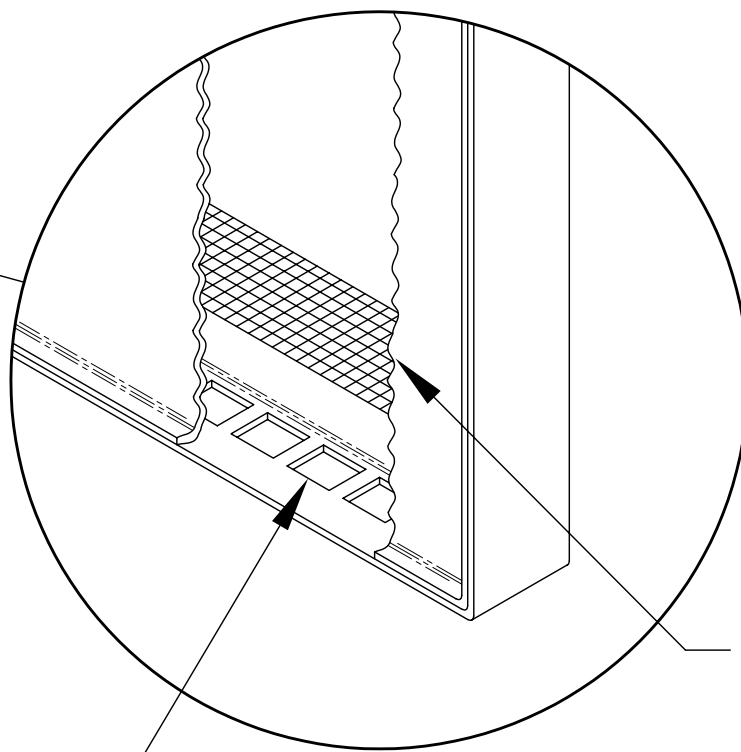
PROVIDE SPASH DEFLECTOR IN FRONT OF AIR FILTER.

PROVIDE INTAKE VENTS/LOUVRES

CONSTRUCTION MUST BE SUCH THAT ANY TRAPPED WATER WILL FREELY EXIT THE DOOR (REF SEC 7.4.2.3)

FILTER SEE MS704.8A

SUGGESTED METHODS OF DOOR CONSTRUCTION VENTS



MESH

INTAKE VENTS



Province of British Columbia

Ministry of Transportation and Highways

Highway Engineering Branch – Electrical (TEC)

SCALE 1:10

No.	Revision	Date
F	XXX	XXXXX
E	XXX	XXXXX
D	XXX	XXXXX
C	XXX	XXXXX
B	XXX	XXXXX
A	DRAWING ISSUED	05/93

TYPE-B TRAFFIC CONTROLLER CABINET DOOR CONSTRUCTION

Date Approved

SPECIFICATION DRAWING No.

Chief Highway Engineer

MS1101.6