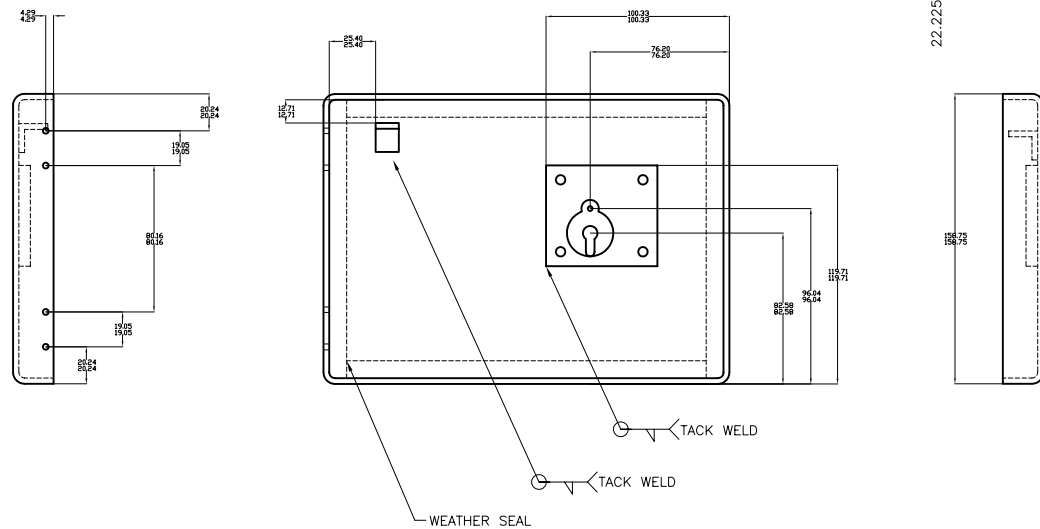
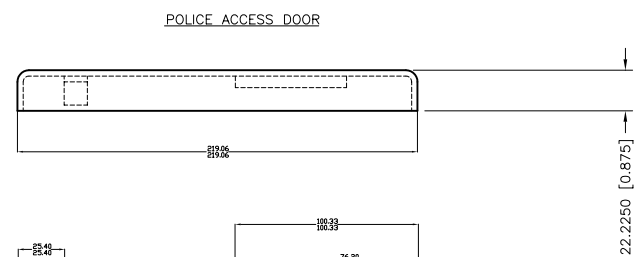
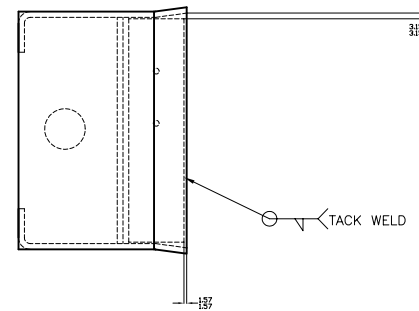
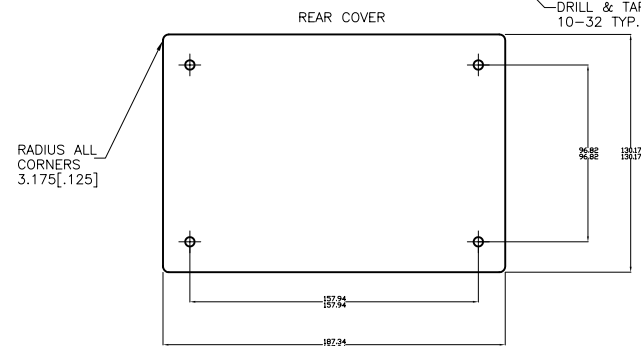
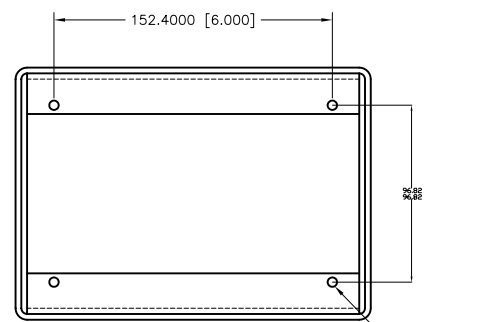
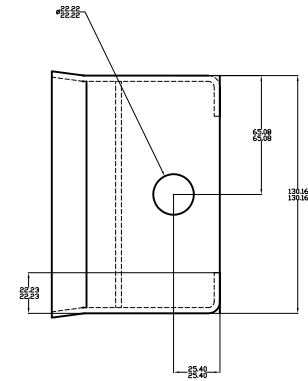
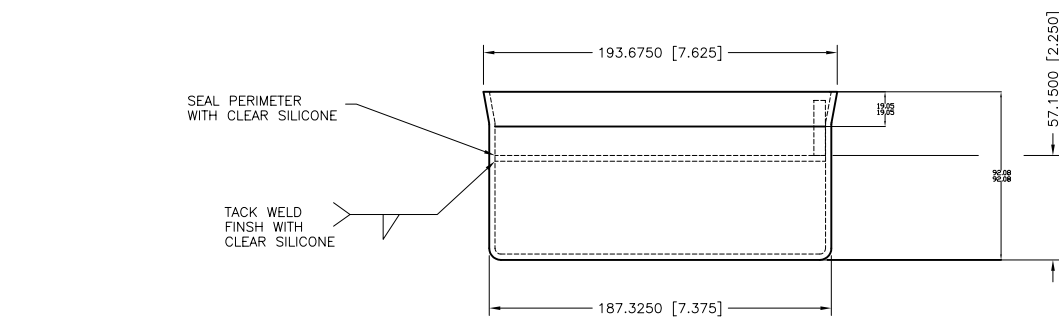
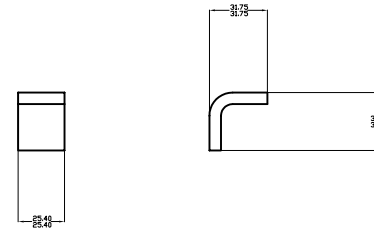


POLICE\_ACCESS\_ENCLOSURE



ANTI\_LIFT\_BRACKET

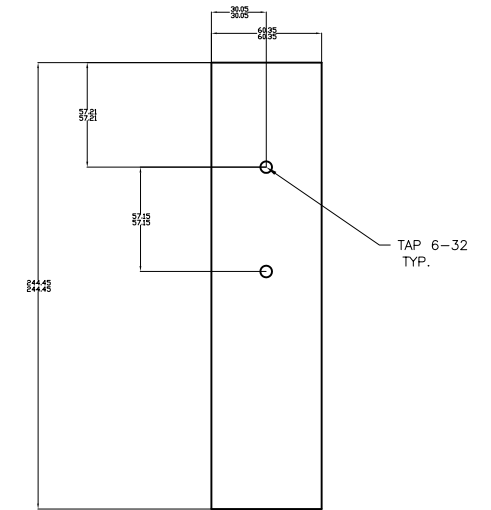
SCALE 1:1



SPACER

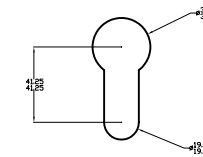
SCALE 1:1

1/4 AL.



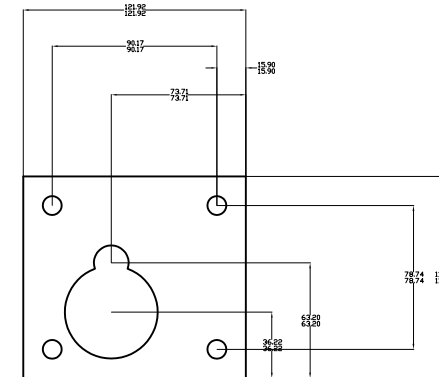
KEY\_HOLE\_COVER

SCALE 2:1

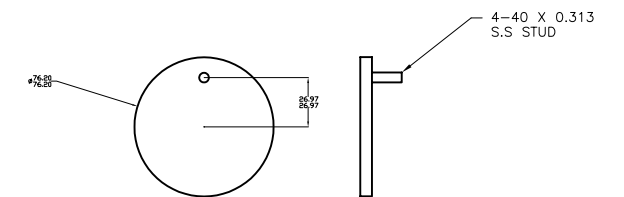


LOCK\_SUPPORT\_BRACKET

SCALE 1:1



KEYHOLE\_COVER



MATERIAL: 3.2MM [.125"] 5052-H32 AL  
 HINGES: MINI LIFT OFF SOUTH-CO PART #96-110 TYPE B

FINISH: 1) BREAK ALL SHARP EDGES  
 2) POWDER COAT (PROTECH #PS211A4)

DIMENSIONS: MILLIMETERS [INCHES]

TOLERANCES: GENERAL - ±1.6mm (1/16 ins)

SCALE 1:2

No.	Description	Date
J	XXX	XXX
I	XXX	XXX
H	XXX	XXX
G	XXX	XXX
F	XXX	XXX
E	XXX	XXX
D	XXX	XXX
C	XXX	XXX
B	XXX	XXX
A	DRAWING ISSUED	MAY 95

**REVISION**

CONSTRUCTION DETAILS		
POLICE ACCESS ENCLOSURE		
Date	Approved	Drawing No.
	Chief Highway Engineer	MS1101.4
		A