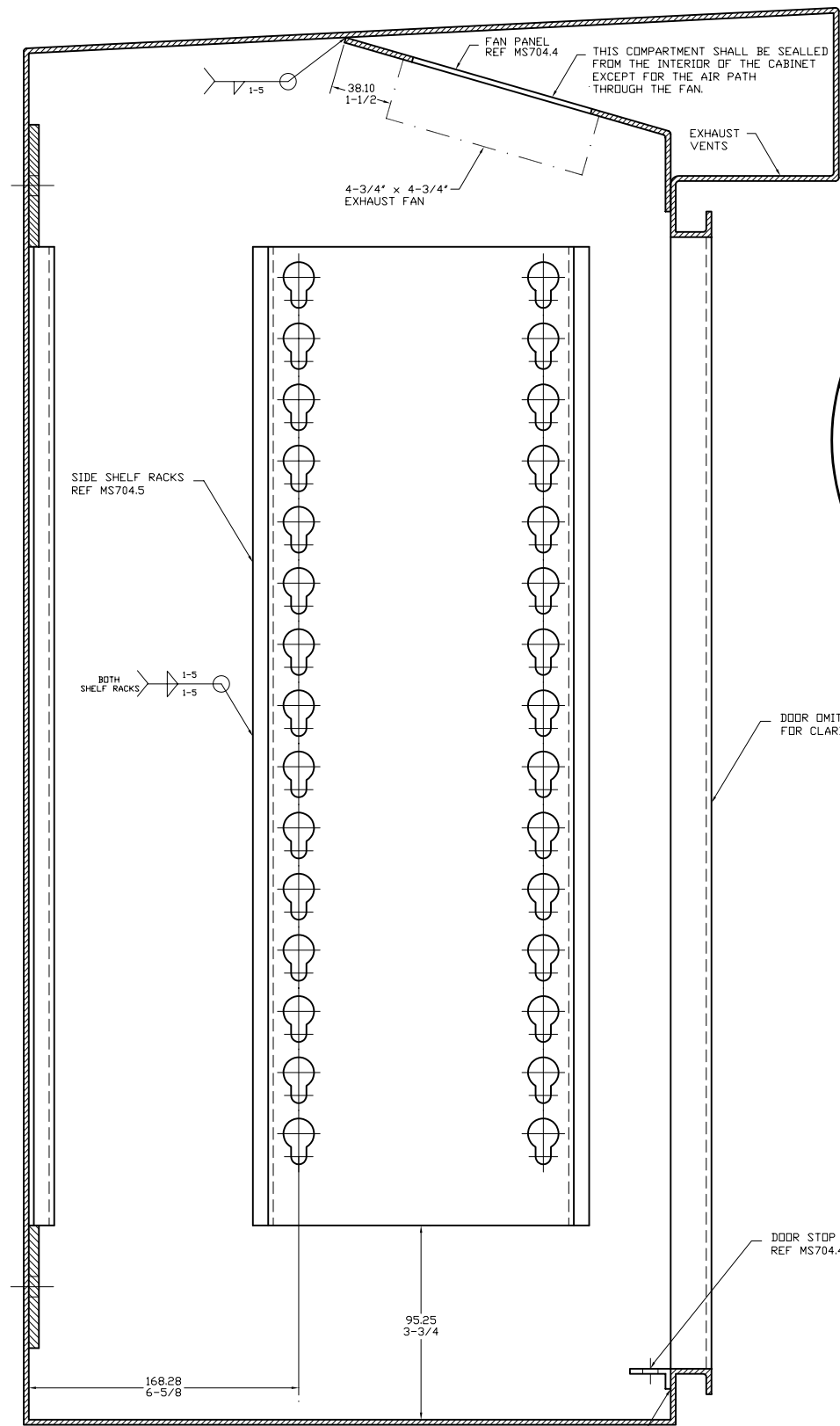
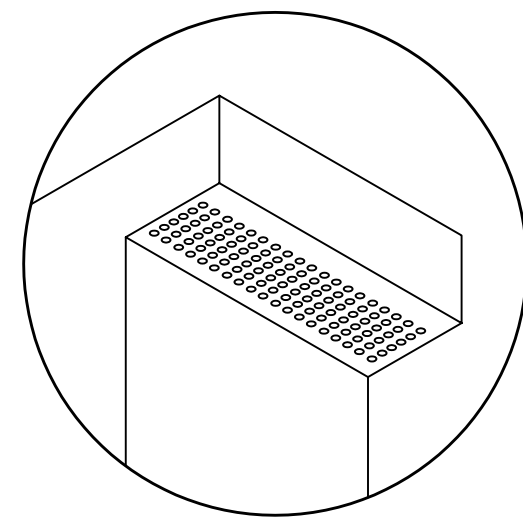


FRONT VIEW



SECTION AA



EXHAUST VENT DETAIL  
NOT TO SCALE

DIMENSIONS: MILLIMETERS  
INCHES

TOLERANCES: GENERAL - ±1.6mm (1/16 in)

SCALE 1:2

Province of  
British Columbia Ministry of  
Transportation  
and Highways  
Highway Engineering Branch - Electrical (TEC)

No.	Description	Date
J	XXX	XXX
I	XXX	XXX
H	XXX	XXX
G	XXX	XXX
F	XXX	XXX
E	XXX	XXX
D	XXX	XXX
C	XXX	XXX
B	TEC SHOP UPGRADE	8/94
A	DRAWING ISSUED	4/93

REVISION

COMPONENT LOCATIONS  
FOR THE "B" CABINET

XXX-XXX-XXX

Date \_\_\_\_\_ Approved \_\_\_\_\_ Drawing No. **MS1101.3**

Chief Highway Engineer

B